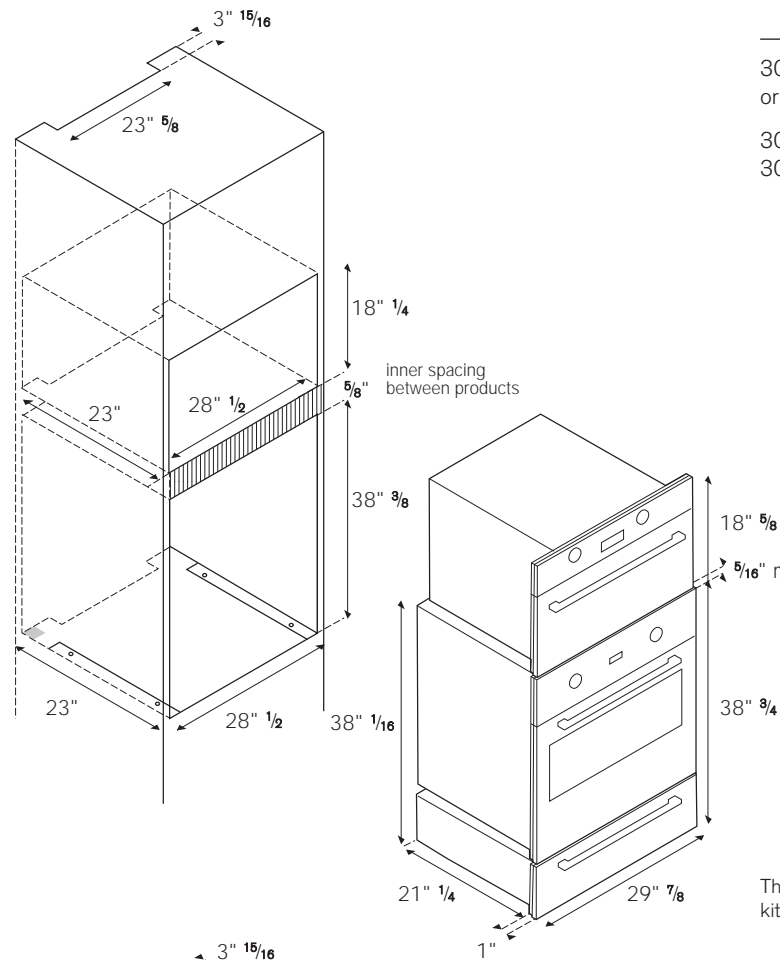


BUILT-IN COMBINATIONS

INSTALLATION DRAWINGS

30 Speed Oven
or 30 Convection Steam Oven

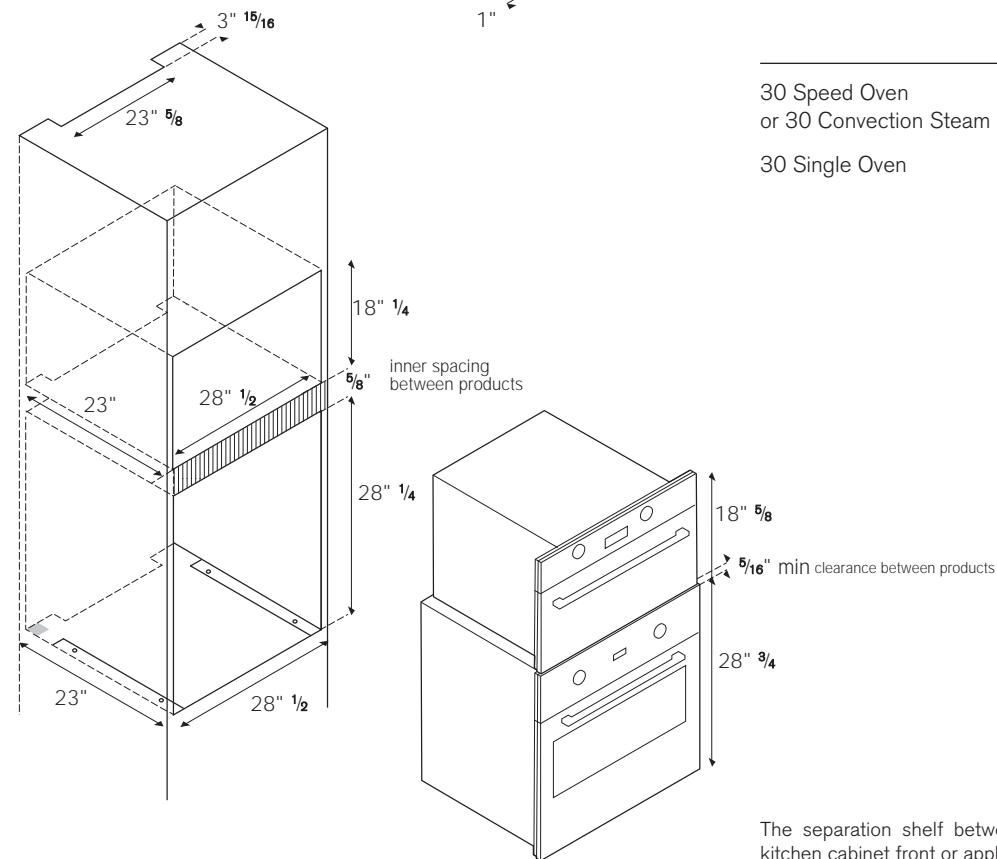
30 Single Oven
30 Warming Drawer



The separation shelf between the appliances must be recessed from the kitchen cabinet front or appliance front at least by 1"

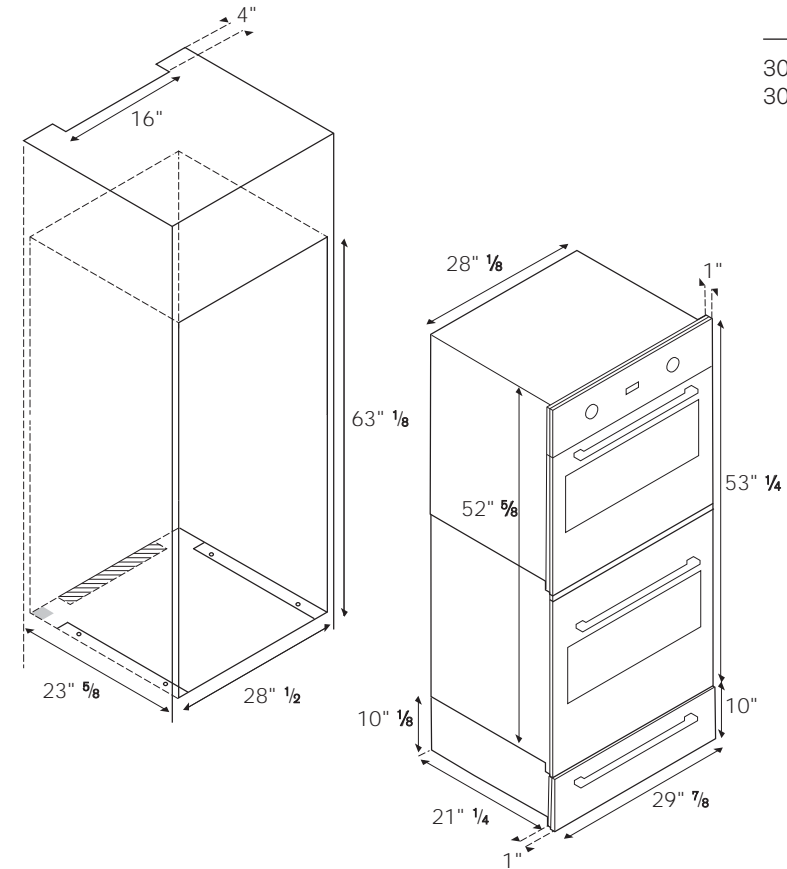
30 Speed Oven
or 30 Convection Steam Oven

30 Single Oven



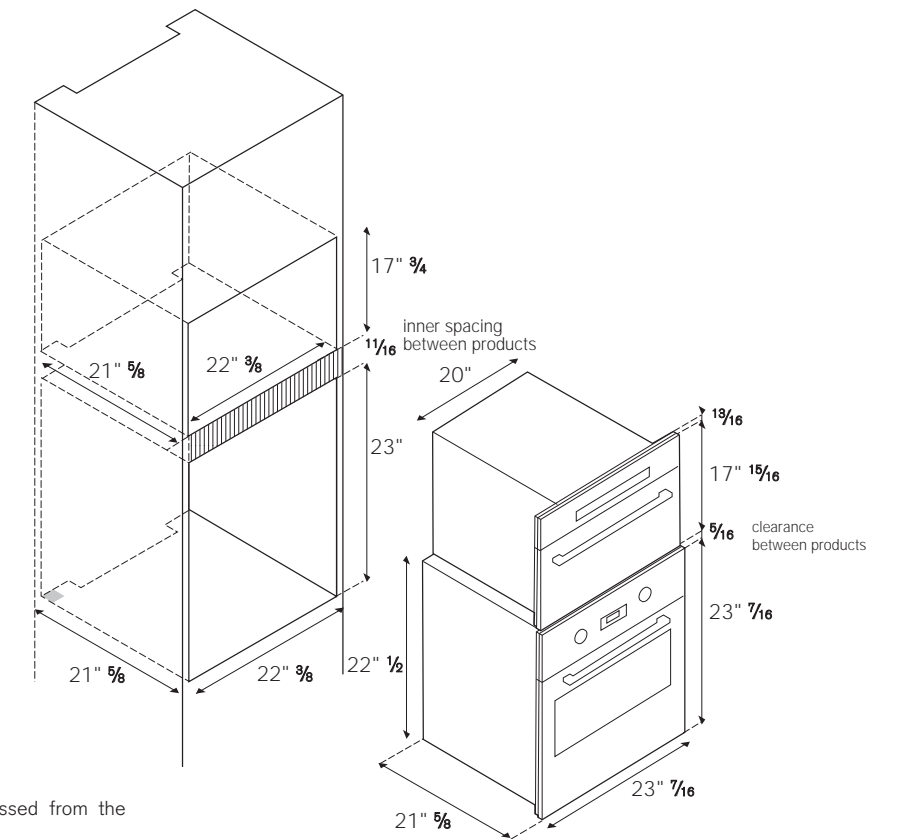
The separation shelf between the appliances must be recessed from the kitchen cabinet front or appliance front at least by 1"

30 Double Oven
30 Warming Drawer



The separation shelf between the appliances must be recessed from the kitchen cabinet front or appliance front at least by 1"

24 Speed Oven
24 Single Oven



The separation shelf between the appliances must be recessed from the kitchen cabinet front or appliance front at least by 1"

BUILT-IN COMBINATIONS

INSTALLATION DRAWINGS

