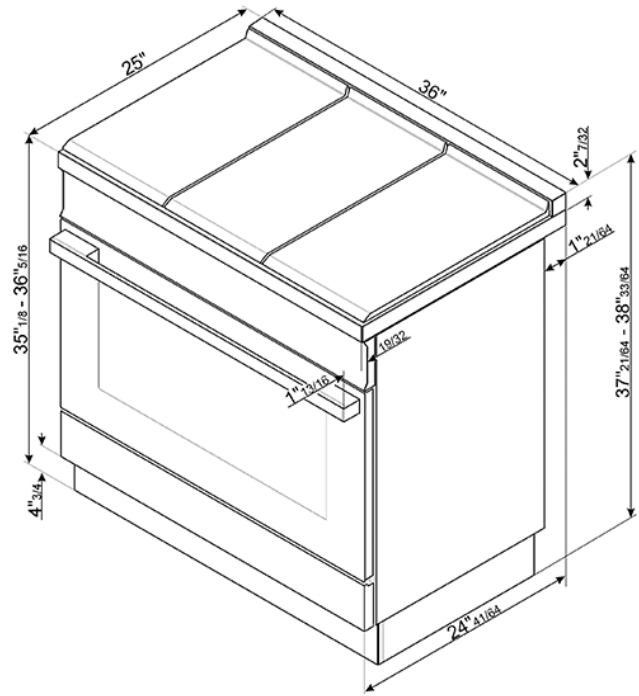




CPF36UGMOG

Portofino Pro-Style Dual Fuel Range,
Olive green, 36" x 25"
EAN13: 8017709254018



- **Portofino Style** • Stainless Steel control knobs • **Thermoseal cavity, energy efficiency best in class** • **Soft close oven door** • Full-width continuous grates • Push-Pull Stainless steel storage drawer • **Multifunction electric oven:** • 10 cooking modes including Pizza Function • Vapor-Green clean function • Programmable timer with touch display • Adjustable thermostat 120° - 500°F • Air-cooled triple-glazed removable door • **True European Triple convection** • Oven capacity: 4.5 cu. ft. • **“Ever-Clean” enameled interior cavity** • 5 shelf positions • 2 x halogen oven lights • Bake element 1.7kW • Broil element 2.9kW • Convection element 1.5kW • **Gas Rangetop:** • 5 gas burners • Centre-rear 3500 BTU • Centre-front 9000 BTU • Right-rear 11000 BTU • Right-front 6500 BTU • **Left double-inset super burner 18000 BTU** • Heavy-duty cast iron grates • Automatic electric ignition • LP gas conversion kit included • **Safety:** • Gas safety valves • Air cooled door to prevent overheating • Connected nominal power: 240/120V • Voltage rating: @ 240/120V 60Hz • **Accessories included:** • 1 wok ring • 1 rotisserie kit • 1 deep oven tray • 1 total extraction telescopic guide • 2 chrome shelves •



Functions



Main Oven

Options

- BGTR9 - Grill Plate • TPKTR9 - Teppanyaki Grill Plate • GT1T-2 - 1-Level Telescopic Shelf - Total Extraction

Versions

- CPF36UGMX - Stainless Steel • CPF36UGMR - Red • CPF36UGMYW - Yellow • CPF36UGMWH - White • CPF36UGMOR - Orange • CPF36UGMBL - Black