

**COMBI9-6**

• 24" (60cm) 2-in-1 Combination Washer/Dryer

**Porter & Charles**

2016 SPECIFICATION SHEET

# COMBI9-6

## 24" (60cm) 2-in-1 Combination Washer/Dryer

---

*Our unique washer and dryer combo is designed to give you more free time. Load the machine, set to wash+dry and come back to clean, dry clothes.*



### WASHER FEATURES

- 24" (60cm) 2-in-1 combination washer/dryer
- Wash and dry your clothes in one cycle or select one of the many wash only programs and dry only programs
- 9kg washing capacity
- 6kg drying capacity
- Condensation dryer, automatically drained
- Quiet operation
  - Wash – 58 dBa
  - Spin – 77 dBa
  - Dry – 64 dBa
- Universal motor with DC drive
- Cold water intake – machine heats water to 90°C
- 60 litre drum volume
- Full graphic LCD display with touch buttons
- 3D load sensor
- 1400 RPM spin speed
- Active Jet® washing system

### ELECTRICAL REQUIREMENTS

- 208/240 Volt, 60Hz receptacle – (NEMA 6-15R)
- 15 AMP Breaker Required

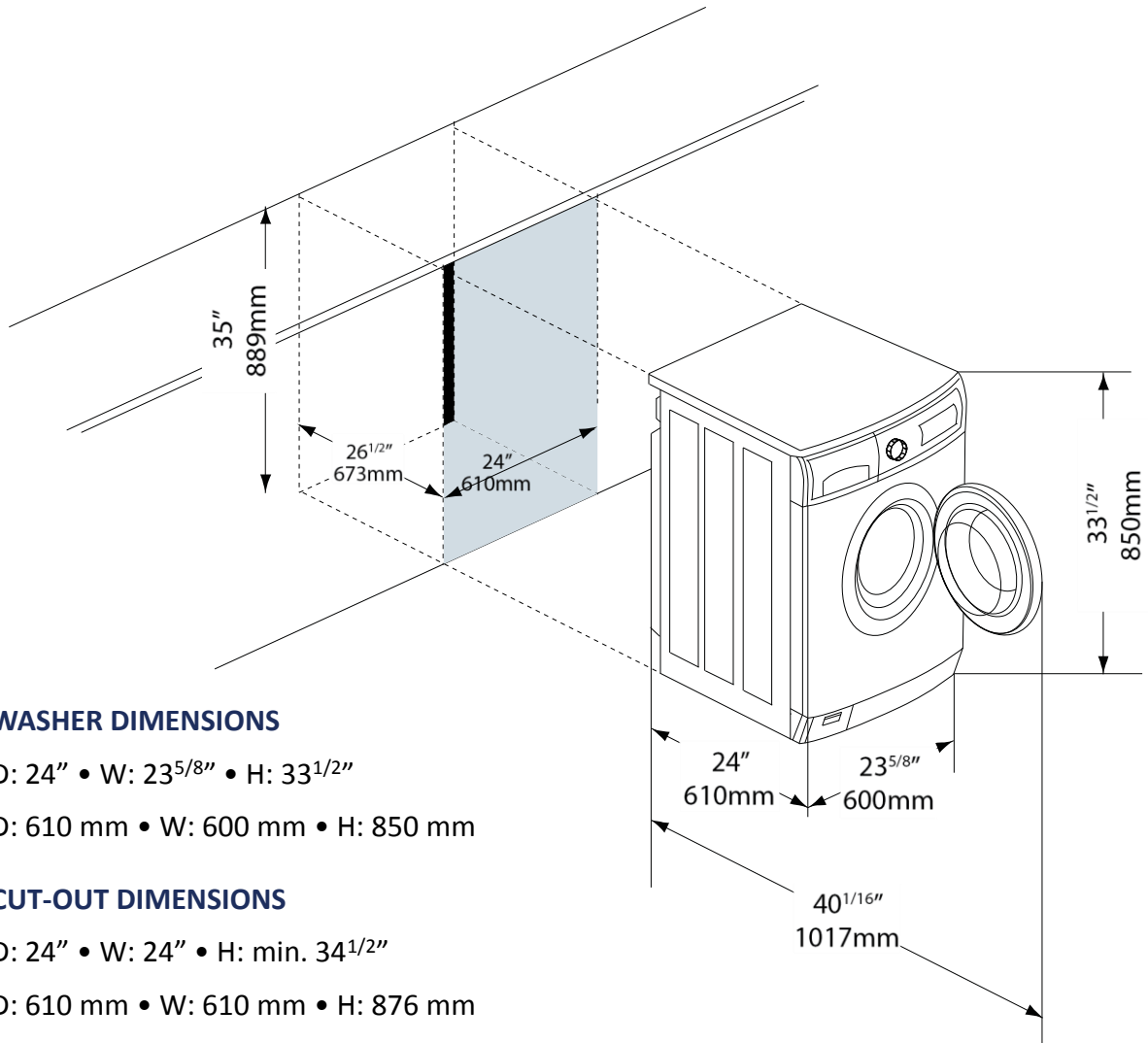
### WASHER DIMENSIONS

D: 24" • W: 23<sup>5/8</sup>" • H: 33<sup>1/2</sup>"

D: 610 mm • W: 600 mm • H: 850 mm

# SPECIFICATIONS

## COMBI9-6



### WASHER DIMENSIONS

D: 24" • W: 23<sup>5/8</sup>" • H: 33<sup>1/2</sup>"

D: 610 mm • W: 600 mm • H: 850 mm

### CUT-OUT DIMENSIONS

D: 24" • W: 24" • H: min. 34<sup>1/2</sup>"

D: 610 mm • W: 610 mm • H: 876 mm

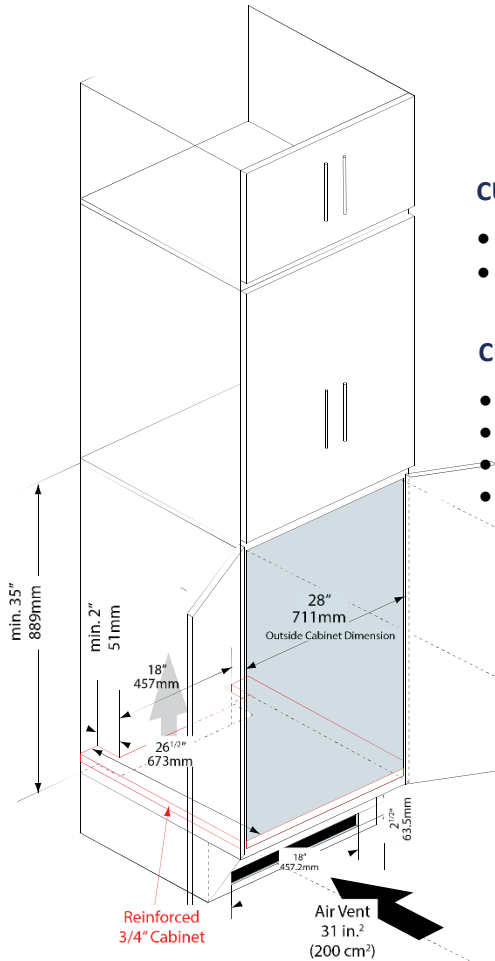
### Installing under counter / stand alone

\* No Exterior Ventilation required

\* Cold water hook-up via 4ft. long hose located at back top

# SPECIFICATIONS – CABINET INSTALLATION

## COMBI9-6

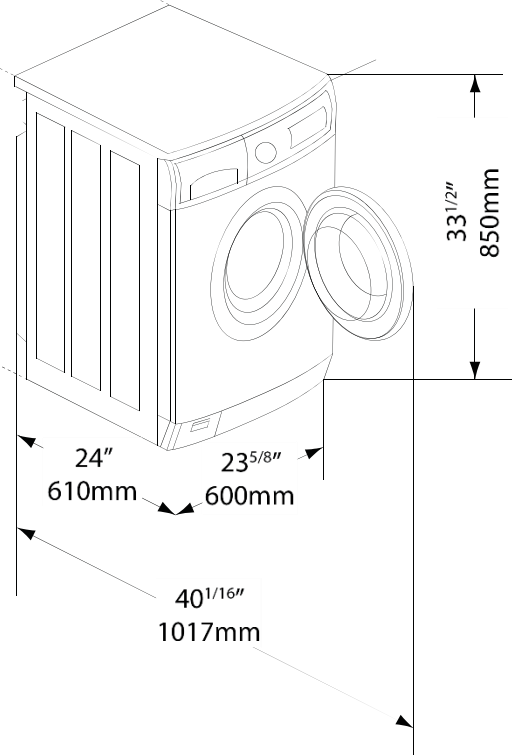


### CUT-OUT DIMENSIONS

- D: 26 1/2" • W: min. 28" (Outside Cabinet Dimension) • H: min. 35"
- D: 673 mm • W: 711 mm • H: 889 mm

### CUT-OUT DIMENSIONS

- If housed in a cabinet air vents ARE REQUIRED
- Air vent must be 200 cm<sup>2</sup>
- The cabinet space in which the Combi9-6 is installed **MUST BE REINFORCED** to withstand the weight and vibrations of the unit

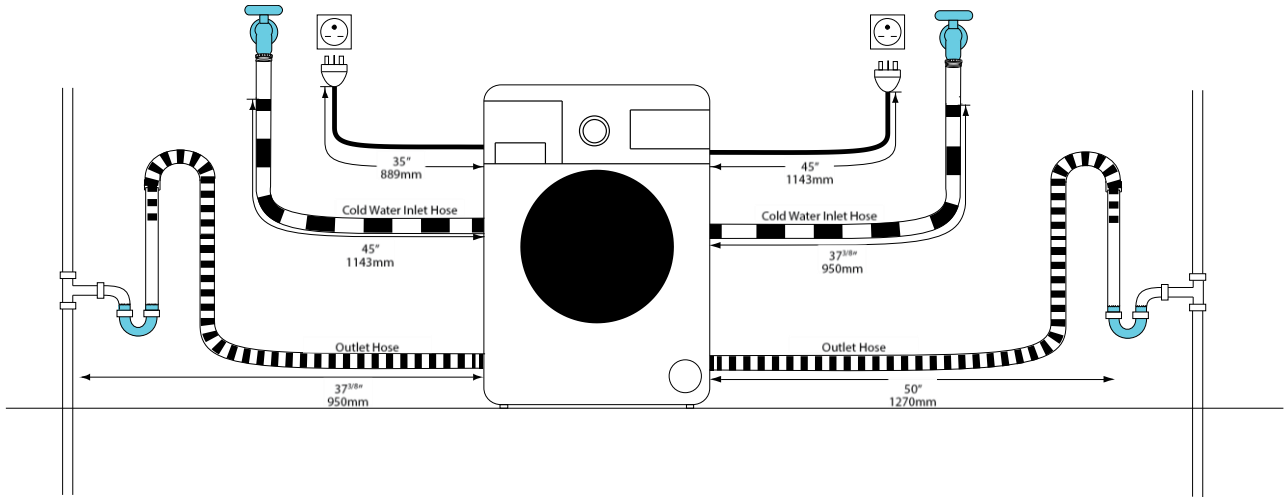


# SPECIFICATIONS – HOSES & CONNECTIONS

## COMBI9-6

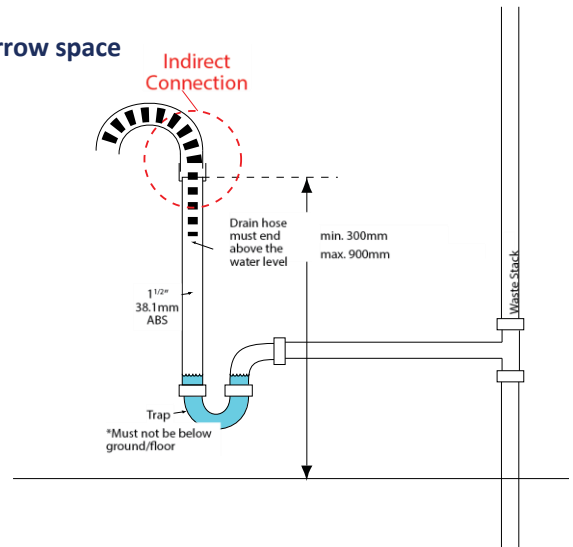
### Hoses & Connections

- Install the laundry appliance so as to allow ease of access to the electrical and connections through the adjacent cabinet. These connections must never be behind the laundry appliance.
- The inlet and drain hoses can be positioned in either direction, make sure that they are not bent, crushed or too tight. Tighten the ring nut after pointing the hoses in the required direction.



### Hoses and Connections - Installing the appliance in a narrow space

- Installing the laundry appliance in a narrow space may bend or crush the connections (hoses, power cord). Take great care in order to reduce the possibility of damaging the connections when installing or removing the appliance.
- A through hole with a diameter of at least 10 cm (4") is required to pass the hoses and power cord. Make sure there are no rough edges that could damage the power cord or hoses. If the laundry appliance is installed in a metal unit protect the edge of the through hole for the hoses and power cord with a gasket. Do not use extension cords when making the electrical connection.



# SPECIFICATIONS – FUNCTIONS

## COMBI9-6

### Washer Special Functions

- Wash & Use (29min. / 60min.)
  - \* Use for cotton, coloured linen laundry with machine dryable label ONLY
  - \* The duration of the program is determined automatically by the laundry load sensor.
    - 0.5kg (approx. 3 shirts) > approx. 29 minutes.
    - 1.5kg (approx. 9 shirts) > approx. 60 minutes

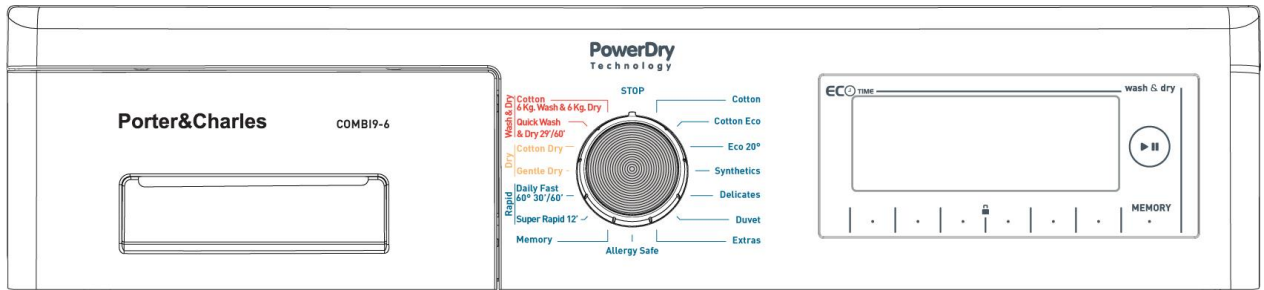
### Refresh

- Use for laundry that are not heavily soiled (max. 1kg)
- Utilizes hot air on clothing to refresh them.
- This is not a washing program.


### Drum Cleaning

- Washes the drum.
- Ensure that there are NO LAUNDRY ITEMS in the drum while using the function.

### Washer Functions







A MEAL WITHOUT  
WINE IS CALLED  
BREAKFAST.



WICKED CHICKENS  
LAY DEVILED EGGS!

Porter & Charles Appliances are designed and manufactured to the highest standards. Each appliance is covered by a comprehensive 2-year parts and labour warranty.

Refer to product warranty policy for complete terms and conditions.

## FOR PARTS AND SERVICE

Euro-Parts & Service

39822 Belgrave Road, Belgrave, ON. N0G 1E0  
1 800 678 8352 (Canada) • 1 800 561 4614 (U.S.)

[www.euro-parts.ca](http://www.euro-parts.ca) • [parts@euro-parts.ca](mailto:parts@euro-parts.ca) • [service@euro-parts.ca](mailto:service@euro-parts.ca)

Porter & Charles appliances are imported and distributed in North America by Euro-Line Appliances Inc. For more information, please visit one of our showrooms or

[www.euro-line-appliances.com](http://www.euro-line-appliances.com) / [www.elawest.com](http://www.elawest.com)

## EURO-LINE APPLIANCES INC.

871 Cranberry Court  
Oakville, ON L6L 6J7 Canada  
905 829 3980  
1 800 421 6332

[marketing@euro-line-appliances.com](mailto:marketing@euro-line-appliances.com)

## EURO-LINE APPLIANCES WEST INC.

2912 West 4th Avenue  
Vancouver, BC V6K 1R2 Canada  
604 235 3980  
1 855 ELA WEST (352.9378)

[info@elawest.com](mailto:info@elawest.com)

