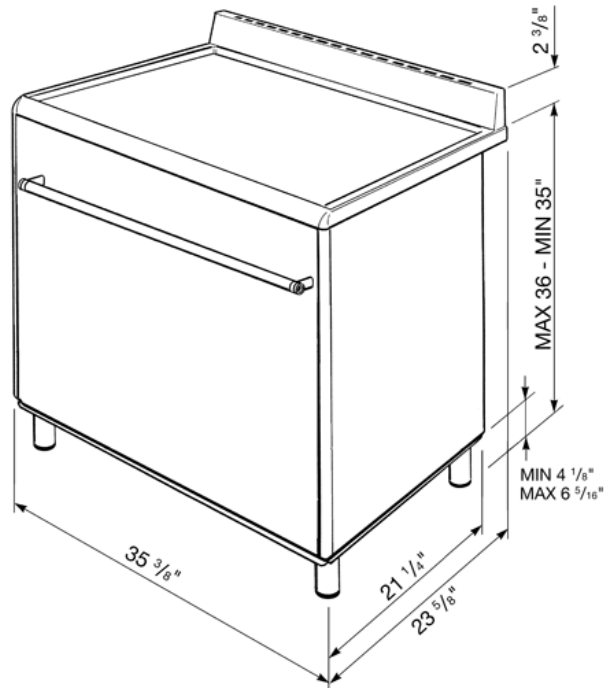


Free-Standing Dual Fuel Range, Approx 36",
Stainless Steel
EAN13: 8017709174378



• **Professional Style** • Sturdy American control knobs • 4" Polished stainless steel backsplash • **Multifunction electric oven:** • 8 cooking modes • Electronic clock with programmable features • Air-cooled double-glazed removable door • "Ever-Clean" enameled oven interior • 4 shelf positions • 2x oven lights • Oven capacity: 4.4 cu. ft. • **Gas Rangetop:** • Heavy-duty cast iron grates • Full-width grates • Sealed burners • Automatic electronic ignition • Safety valves • LP gas conversion kit included • **5 Gas burners:** • Right-rear 6500 BTU • Left-rear 6500 BTU • Right-rear 3500 BTU • Left-front 9000 BTU • Central double-insert super burner 12000 BTU • **Safety** • Gas safety valves • Ventilated door with cooling system to prevent overheating • Anti-tilting norms satisfied • Suitable for building-in • Connected load nominal power: 240/120V – 3.7kW • Amp supply required @240/120V: 15Amps • Voltage rating: 240/120V 60Hz • Gas inlet location: back top-right • **Accessories included:** • 1 Baking tray • 2 Chrome shelves • 1 Moka ring

Functions



Main Oven

Options

- KIT19XU - Island Trim