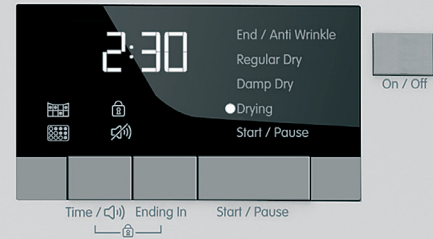


DHP 24412 W



- Jeans
- Jogging Wear
- Sensor Drying 45'
- Wool
- Silent
- Baby Sanitize
- Delicates
- Timed Dry
- Normal Damp Dry
- Normal Regular Dry
- Normal Extra Dry
- Perm Press Damp Dry
- Perm Press Regular Dry
- Bulky
- Air Fluff / No Heat
- Quick Dry 30'



GENERAL PROPERTIES

Dryer type	Heat Pump Ventless	
Capacity	cu. ft.	4,1
Dry load capacity	kg	8,0
	lbs	17,7
Drum material	Stainless steel	
Control	Digital display w/ dial knob	
Silence level dBA	65	
Automatic water drain	✓	
Reduce static cling	✓	
Delay time	0-24 h	

CYCLES

Number of cycles	16	
Normal / Cottons regular	✓	
Permanent press	✓	
Mixed fabric	-	
Delicates	✓	
Bulky	✓	
Air Fluff / No heat	✓	
Wool	✓	
Jeans	✓	
Baby Sanitize	✓	
Silent program	✓	
Jogging wear	✓	
Quick Dry 30'	✓	
Timed Dry	10-20-30-40-50-60-70-80-100-120-140-160 min	

CONVENIENCE FEATURES

End of cycle buzzer	✓	
Child lock	✓	
Automatic easy Ironing	✓	
Interior drum LED lighting	✓	
Glass door with heat protection	✓	
Reversible glass door	✓	
Program follower	✓	
Leveling legs	4	
Clean filter indicator	✓	
Number of vent options	-	

MATERIALS AND FINISHES

Cabinet	White	
Door rim	Chrome	
Cycle selector knob	Chrome	

DIMENSIONS

Product dimensions (HxWxD)	in	33 5/16 x 23 3/8 x 24 1/2
	cm	84,6 x 60 x 62,2
Packed dimensions (HxWxD)	in	35 1/4 x 26 x 26 3/8
	cm	89,5 x 66 x 67
Product weight	kg	52,5
	lbs	116
Packed weight	kg	56,5
	lbs	125

TECHNICAL FEATURES

Rated current amps	A	5
Voltage / Frequency	V / Hz	208 - 240 / 60
Watts	W	900

STANDARDS

Energy Star® qualified	✓	
Energy consumption, kWh/year	190	
UL listed	✓	
RoHS* compliant	✓	

STACKING KITS

Kit-1 (Universal Stacking Kit): Can be mounted with all clothes washers of any depth	-	
Kit-2: Can be mounted with all clothes washers with 50-54-60 cm depth	2985400200	

KEY FEATURES & BENEFITS

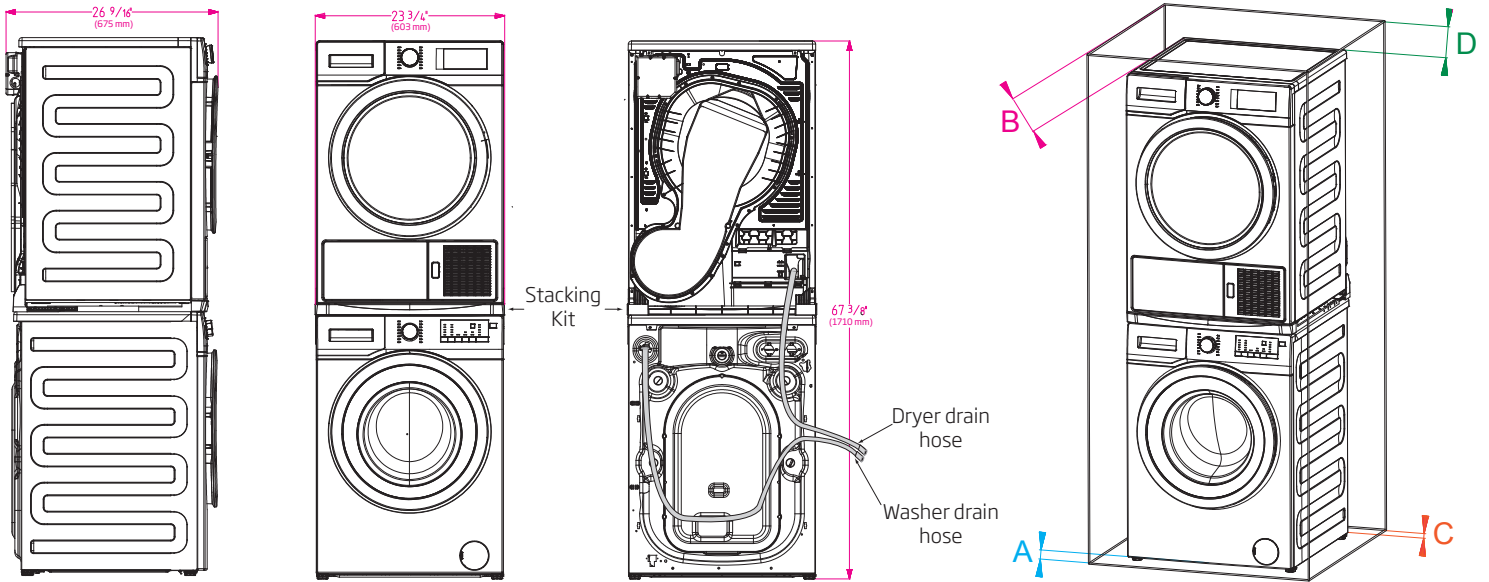
- The most energy efficient in its class
- Gentle and super efficient drying with ventless heat pump technology
- Compact 24" design, designed for small-space living
- Energy Star®
- Dry up to 13 bath towels in one load
- Interior drum LED light
- Automatic water drain
- Woolmark Apparel Care certified wool cycle
- Baby Sanitize cycle for baby clothes and clothes worn by allergic people



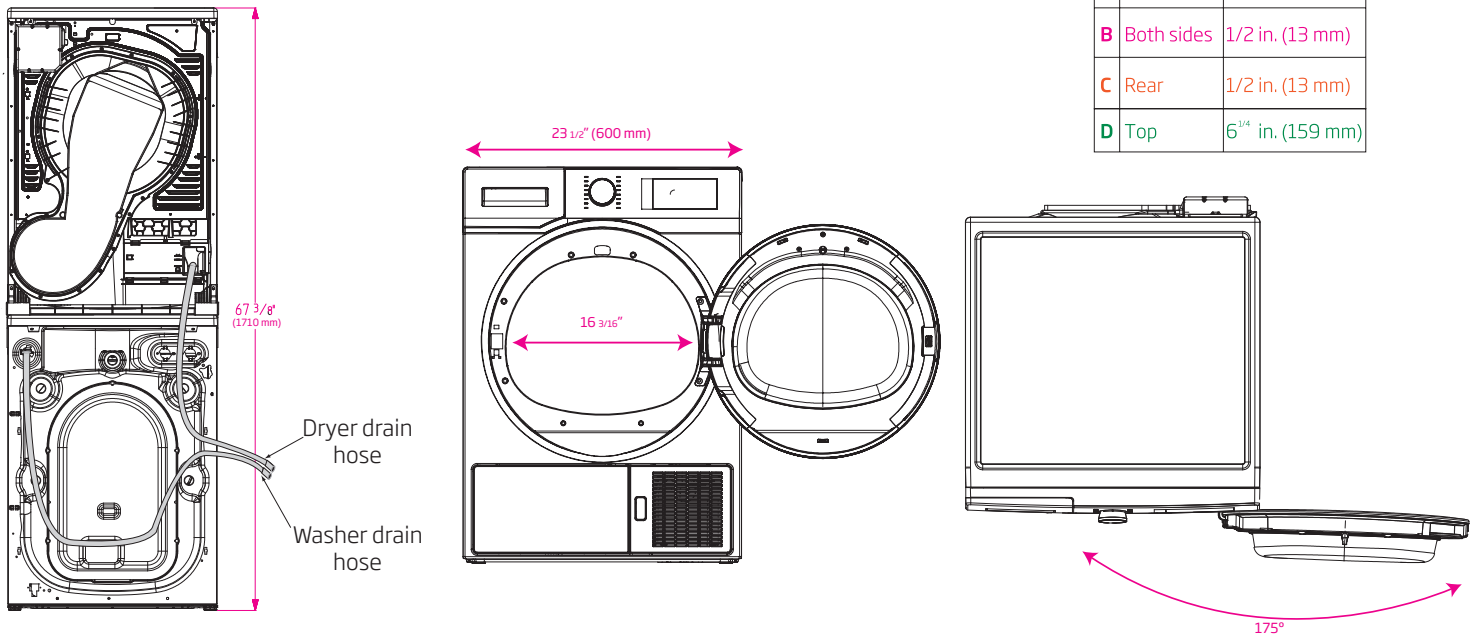
Blomberg®

seit 1883

DHP 24412 W



A Front	1/2 in. (13 mm)
B Both sides	1/2 in. (13 mm)
C Rear	1/2 in. (13 mm)
D Top	6 1/4 in. (159 mm)



A Top	1/2" min.	13 mm
B Both sides	1/2" min.	13 mm
C Counter depth	27" min.	686 mm

