

DWTPC5FCSS

24" Stainless Steel – Front Control
Built-in Stainless Steel Dishwasher

Porter & Charles

DWTPC5FCSS

24" Built-in Stainless Steel Washer



DISHWASHER PROGRAMS

- Crystal wash 45°C/113°F
- Normal wash 50°C/122°F
- Extreme wash 70°C/158°F
- Soak (Cold Prewash)
- Daily 65°C/149°F

DISHWASHER FEATURES

- 24" (60cm) wide stainless steel tall tub dishwasher
- Front controls
- 5 programs
- 12 place setting capacity
- Delay timer up to 9 hours
- Extremely quiet (45dBa)
- "In-Line" water heating element
- ENERGY STAR® rated

UNIT DIMENSIONS

- D: 215/8" x W: 239/16" x H: 321/4" – 351/16"
- D: 550 mm x W: 598 mm x H: 820 mm - 890 mm

CUT-OUT DIMENSIONS

- D: 223/8" x W: 235/8" x H: 321/4" – 351/16"
- D: 568 mm x W: 600 mm x H: 820 mm - 890 mm

ELECTRICAL REQUIREMENTS

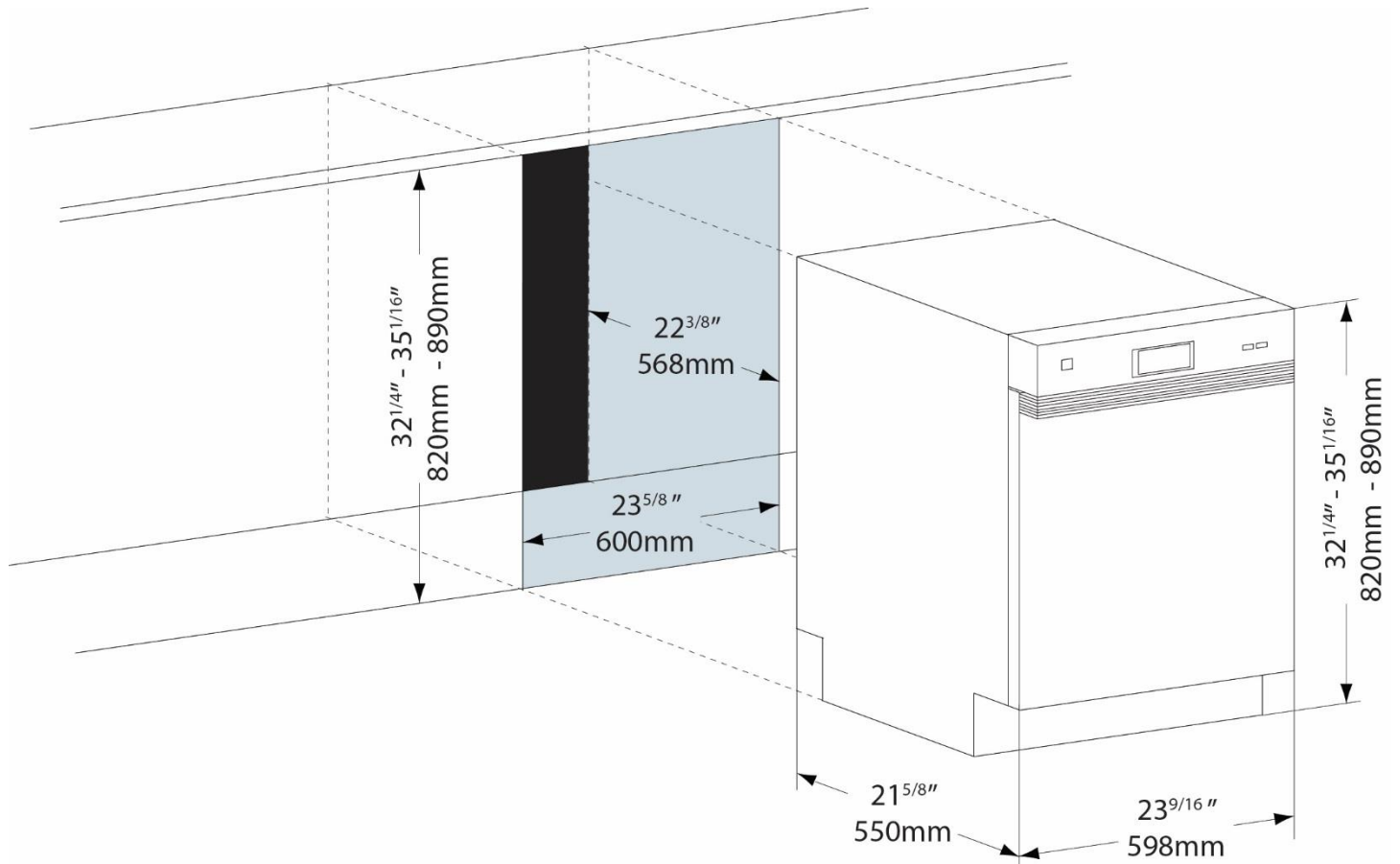
- 115 Volt, 60Hz, 15 AMP, 1300W
- Supplied with Canadian cord and plug

Specifications are subject to change without notice.

Detailed Specification Available at www.porterandcharles.ca

Specifications

DWTPC5FCSS



UNIT DIMENSIONS

- D: 215/8" x W: 239/16" x H: 321/4" – 351/16"
- D: 550 mm x W: 598 mm x H: 820 mm - 890 mm

WATER SUPPLY

- PORTER&CHARLES dishwashers can be hooked up to hot or cold water
- PORTER&CHARLES dishwasher are supplied with an inlet hose that attaches onto a faucet

CUT-OUT DIMENSIONS

- D: 223/8" x W: 235/8" x H: 321/4" – 351/16"
- D: 568 mm x W: 600 mm x H: 820 mm - 890 mm

ELCTRICAL REQUIREMENTS

- 115 Volt, 60Hz, 15 AMP, 1300W
- Supplied with Canadian cord and plug

Specifications are subject to change without notice.

Detailed Specification Available at www.porterandcharles.ca

Porter&Charles products are designed and built to the highest standards.
Each appliance is covered by a comprehensive 2 year parts and labour warranty.

Refer to product warranty policy for complete terms and conditions.

* Glass components on all Porter&Charles appliances are not covered in the standard warranty *

For Service & Parts
EURO-PARTS

39822 Belgrave Rd,
Belgrave, Ontario, Canada,
N0G 1E0
1.800.678.8352

Porter&Charles appliances are imported and distributed in North America by Euro-Line Appliances Inc.
For more information visit
www.euro-line-appliances.com / www.elawest.com

EURO-LINE APPLIANCES INC.

871 Cranberry Court
Oakville, ON L6L 6J7
Canada
Toll Free: 1-800-421-6332
Showroom: 905-829-3980
marketing@euro-line-appliances.com

EURO-LINE APPLIANCES WEST INC.

2912 West 4th Ave
Vancouver, BC V6K 1R2
Canada
Toll Free: 1-855-352-9378
Showroom: 604-235-3980
info@elawest.com