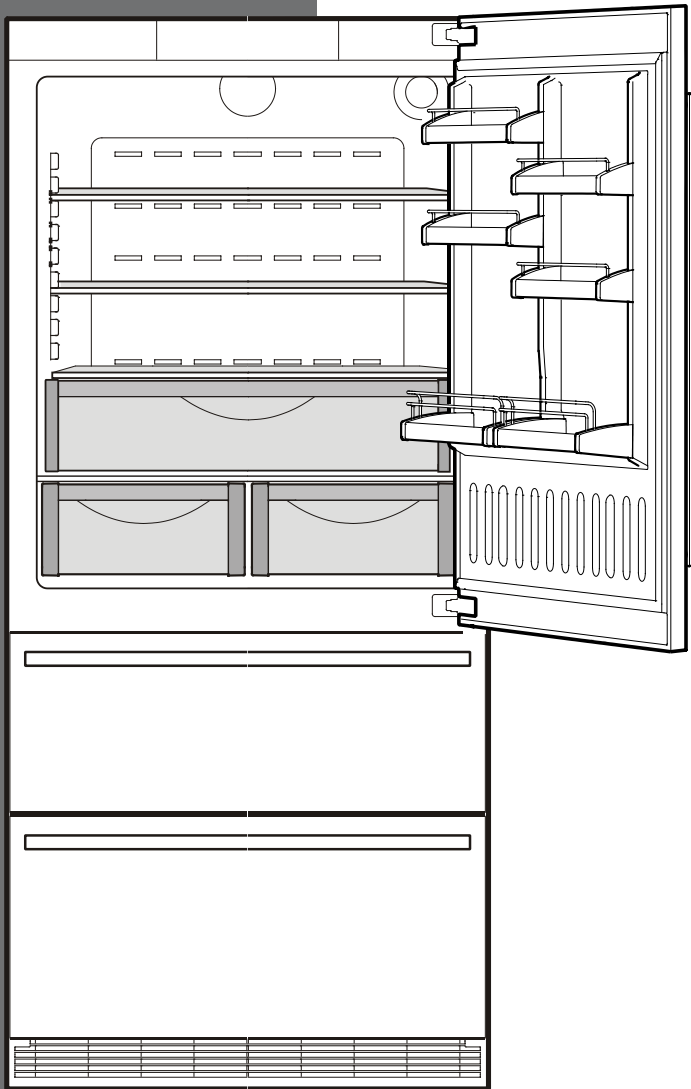


LIEBHERR

Installation Instructions

For "NoFrost" Combined
Refrigerator-Freezers with IceMaker



CS 2060, CS 2061
7084 339-00

IMPORTANT

Please Read and Follow these Instructions

These instructions contain Danger, Warning and Caution notes.

This information is important for safe and efficient installation and operation.

Always read and comply with all Danger, Warning and Caution notes!



DANGER!

Danger indicates a hazard which will cause serious injury or death if precautions are not followed.



WARNING!

Warning indicates a potentially hazardous situation which, if not avoided, could result in death or serious injury.



CAUTION!

Caution indicates a potentially hazardous situation which, if not avoided, may result in minor or moderate injury.

IMPORTANT

This indicates information that is especially relevant to a problem-free installation and operation.

Note to the Installer

It is very important to follow the instructions in the manual to ensure proper installation and operation of the unit.

Before installing the unit, be sure to thoroughly read and understand all of the information in this manual.

Contents

Page

Unit dimensions	4
Unit venting	4
Cabinet opening dimensions	5
Mounting the anti tipping device on concrete floors	6
Mounting the anti tipping device on wooden floors	6
Mounting the anti tipping device in cabinets deeper than 24"	7
Mounting the top anti tipping bracket	7
Ice Maker	
Safety instructions and warnings	8
Water connection Requirements	8
Water connection Adapter	8
Connection to the water supply	9
Leveling the appliance	10
Adjusting the front of the drawer	10
Mounting the ventilation grille	11
Top door hinge clearance	11

R600a Refrigerant

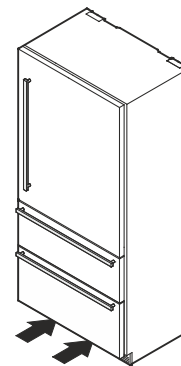


WARNING!

The refrigerant contained within the appliance R600a is environmentally friendly, but flammable. Leaking refrigerant can ignite.

To prevent possible ignition follow the warnings below:

- Keep ventilation openings, in the appliance enclosure or in the built-in structure, clear of obstruction. →



- Do not damage the refrigerant circuit.
- Any repairs and work on the appliance should only be performed by the customer service department.

Disposal of Old Appliance



DANGER!

Risk of child entrapment.

Child entrapment and suffocation are not problems of the past.

Junked or abandoned refrigerators are still dangerous – even if they will sit for “just a few days.”

If you are getting rid of your old refrigerator, please follow these instructions to help prevent accidents.

Before you discard old appliances:

- Remove the doors.
- Leave the shelves in place so that children may not easily climb inside.
- Cut off the power cable from the discarded refrigerator. Discard separately from the refrigerator.
- Be sure to follow your local requirements for disposal of appliances.

Contact the trash collection agency in your area for additional information.

Disposal of Carton

The packaging is designed to protect the appliance and individual components during moving and is made of recyclable materials.



WARNING!

Keep packaging materials away from children. Polythene sheets and bags can cause suffocation!

Please recycle packaging material where facilities are available.

Electrical Safety

Connect this appliance to a 15 amp or 20 amp, 110-120 VAC, circuit which is grounded and protected by a circuit breaker or fuse.

We recommend using a dedicated circuit for this appliance to prevent circuit overload and the chance of interruption to the appliance.

This appliance is equipped with a three-prong (grounding) polarized plug for your protection against possible shock hazards.

Where a two-prong wall receptacle is encountered, contact a qualified electrician and have it replaced with a properly grounded three-prong receptacle in accordance with all local codes and ordinances.

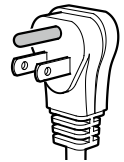


WARNING!

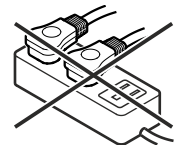
Electrocution hazard.

Electrical grounding required.

- Do not remove the round grounding prong from the plug. →
- Do not use extension cords or ungrounded (two prong) adapters.
- Do not use a power cord that is frayed or damaged.



- Do not use a power strip. →



Failure to follow these instructions may result in fire, electrical shock or death.

Blocking for Safety



WARNING!

To avoid a hazard due to instability of the appliance, it must be fixed in accordance with the instructions.

PLANNING INFORMATION

Unit Dimensions - Figure 1

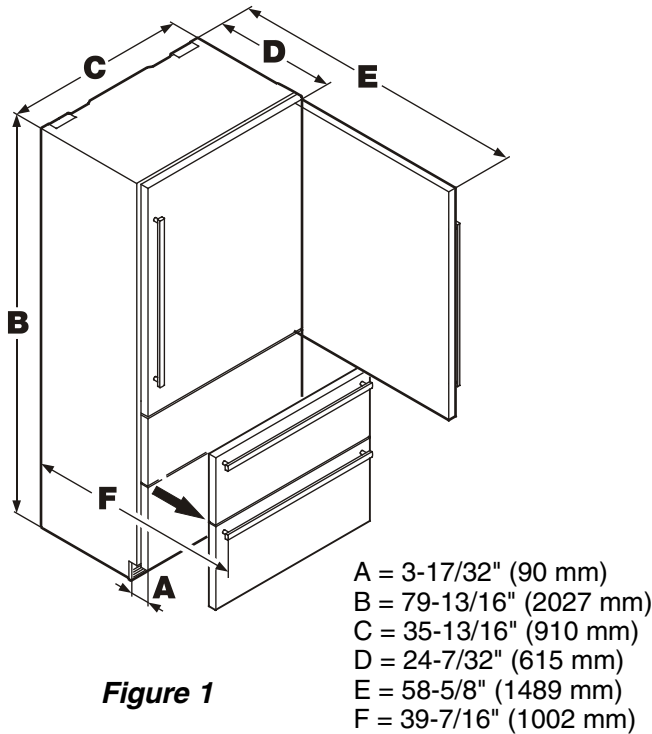


Figure 1

When installing CS 2061 units into a row of cabinets or wall units; use these dimensions to achieve a custom look with the cabinetry - **Figure 2**.

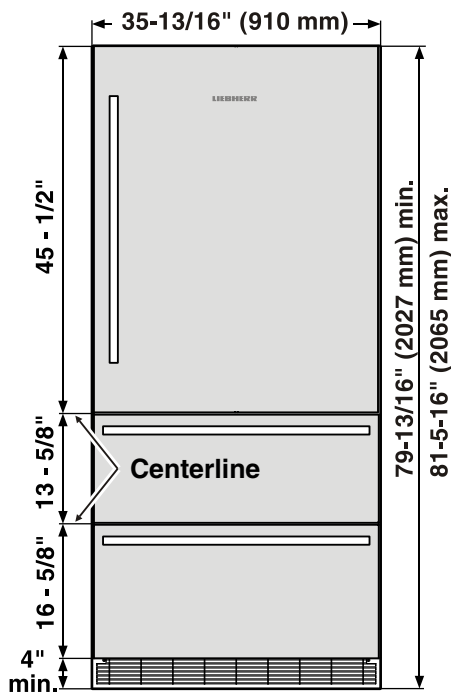


Figure 2

Door swing clearance - Figure 3

Please allow for door swing clearance at locations next to a wall.

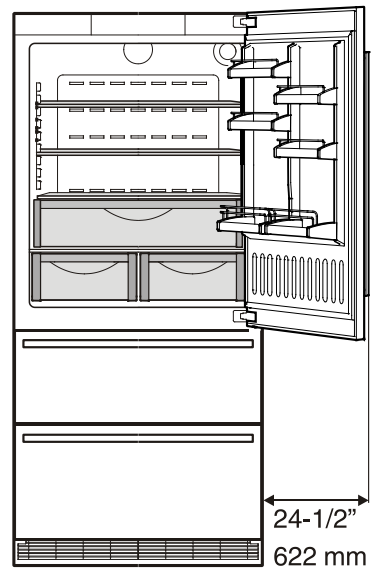


Figure 3

Unit Venting - Figure 4

CS 20 appliances do not require any ventilation openings in the cabinet. The required airflow is directed through the toe kick area.

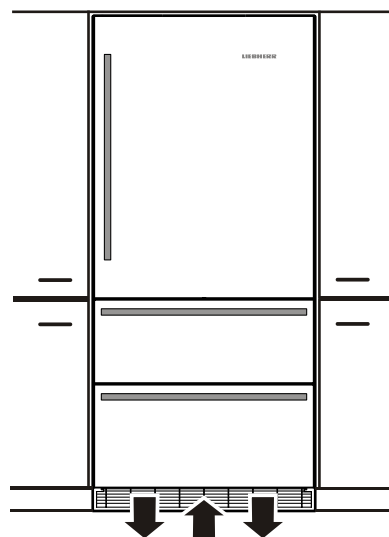


Figure 4

It is important to use the provided cover grille for the ventilation opening. This opening must not be covered with a cabinet base.

PLANNING INFORMATION

Cabinet Opening Dimensions - Figure 5

The appliance can be used freestanding or semi built-in.

If semi built-in, please consider the cabinet opening dimensions as shown in **Figure 5**.

The requirements for water supply and electrical outlet are the same for both applications.

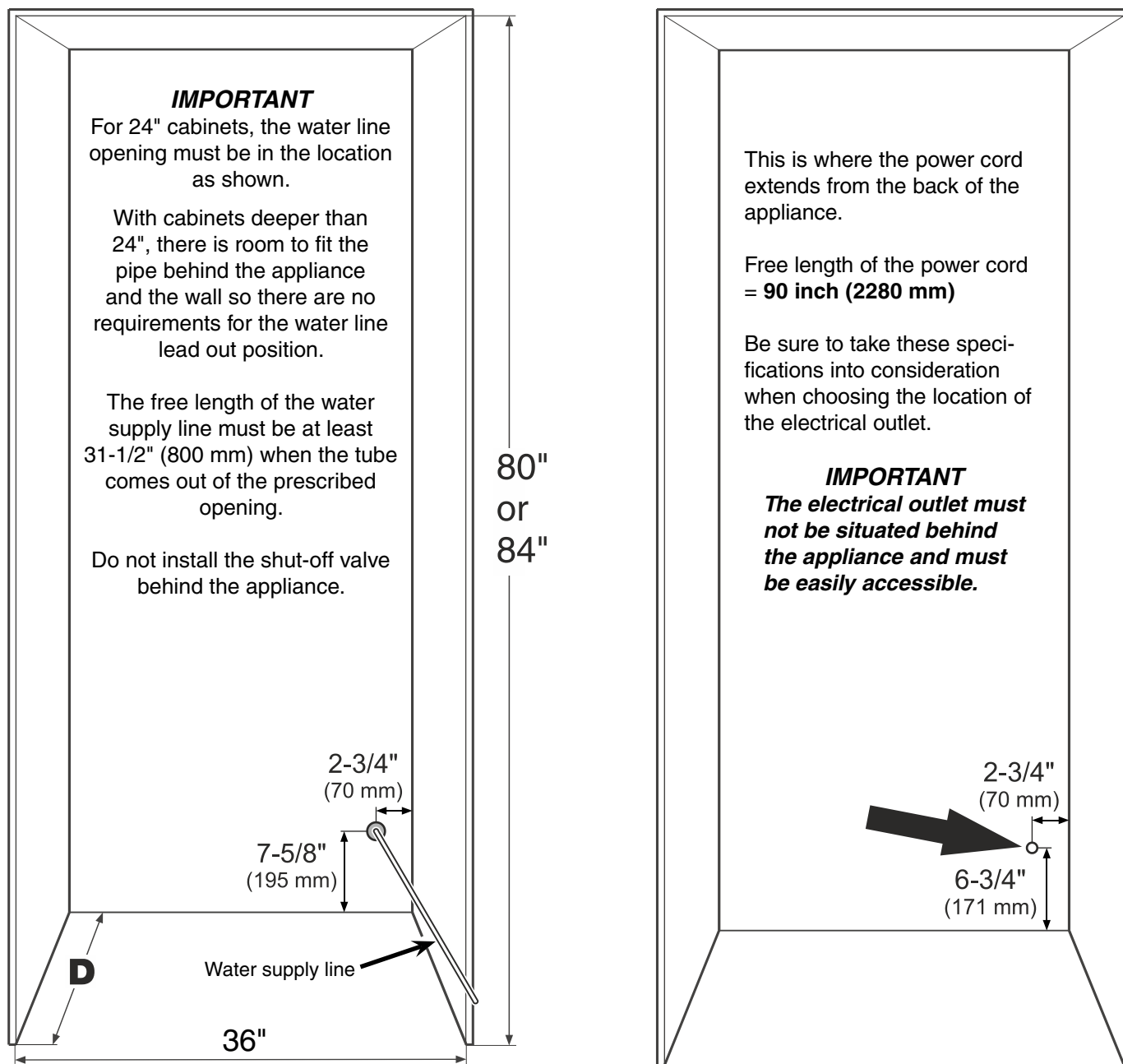


Figure 5

BLOCKING FOR SAFETY

Mounting the anti tipping device on concrete floors - Figure 6 - 7

Secure the appliance in place so it does not tip forward when the fully stocked door is opened. The anti tipping bracket is provided with the appliance.

1. Mark the center line of the appliance on the back wall. Align the anti tipping bracket center to this line.

⚠ WARNING

Be sure that there is no plumbing or electrical wiring located in this area which screws or drills could damage.

2. Drill a 3/8" diameter hole in any position as shown in **Figure 6** using a carbide drill bit.

The depth of the holes must exceed the overall length of the anchors provided.

Clean the holes after drilling.

3. Attach washer and screw on hex nut to the end of each anchor.

Drive in all 3 anchors.

Align the bracket center to the center line on the back wall again.

Fasten the anchors by turning the hex nut.

4. Fasten bracket with 3 screws (1/4" x 2-1/8") into the wall plate (**Figure 7**).

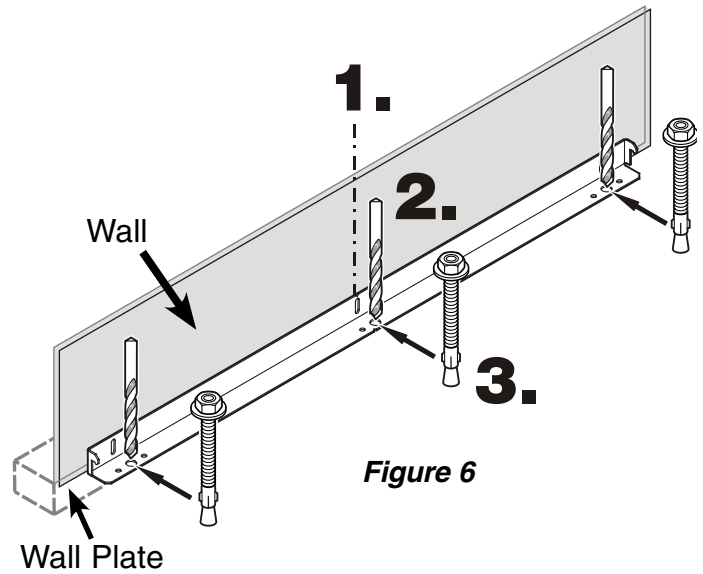


Figure 6

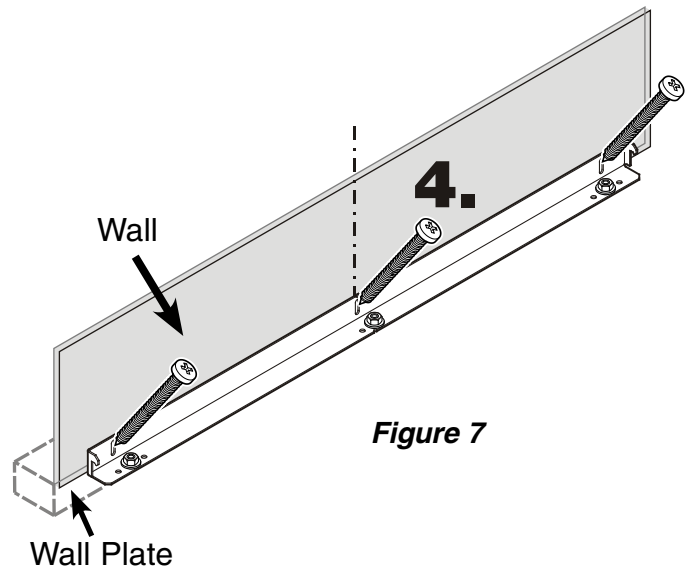


Figure 7

Mounting the anti tipping device on wooden floors - Figure 8

1. Mark the center line of the appliance on the back wall. Align the anti tipping bracket center to this line.

⚠ WARNING

Be sure that there is no plumbing or electrical wiring located in this area which screws or drills could damage.

2. Fasten bracket to the wooden floor using 5 screws (1/4" x 2-1/8"). Drill pilot holes if necessary.
3. Fasten bracket with 3 screws (1/4" x 2-1/8") into the wall plate.

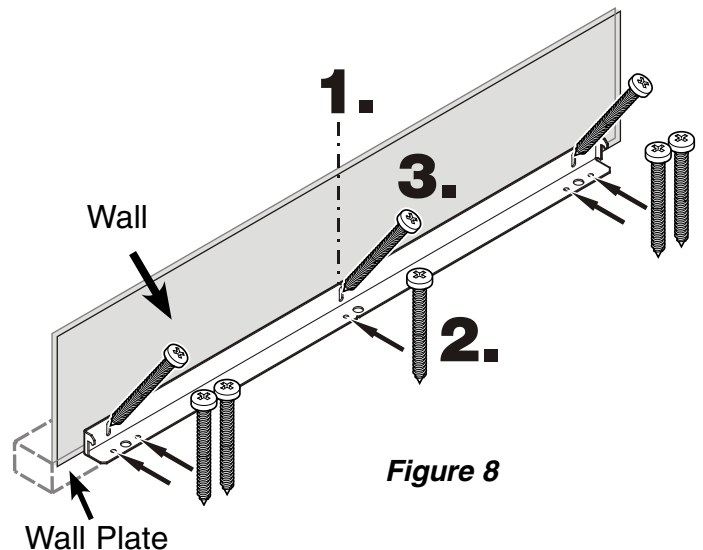


Figure 8

BLOCKING FOR SAFETY

Mounting the anti tipping device in cabinets deeper than 24" -

Figure 9

To ensure the compressor mounting plate reaches the anti tipping bracket at cabinets deeper than 24", a wooden spacer must be mounted between the appliance back and the wall. The anti tipping bracket will be fastened to the floor downwards and to the spacer backwards.



WARNING

Be sure the wooden spacer is fastened securely to the floor.

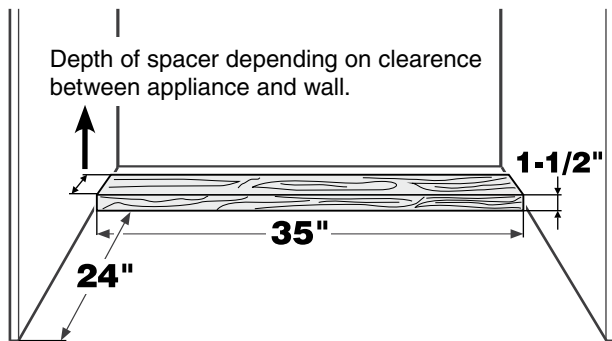


Figure 9

Mounting the top anti-tipping bracket

1. Mount the anti-tipping bracket provided on the wall using 6 x 60 screws (Figure 10).

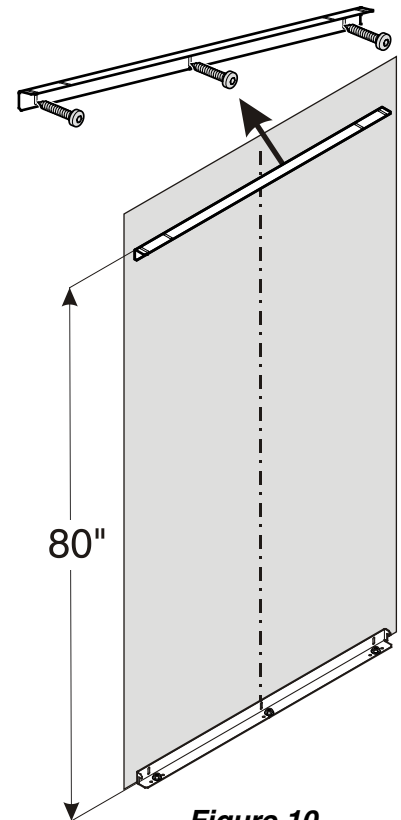


Figure 10

2. Clip both attachment brackets into the transport grips of the appliance (Figure 11).

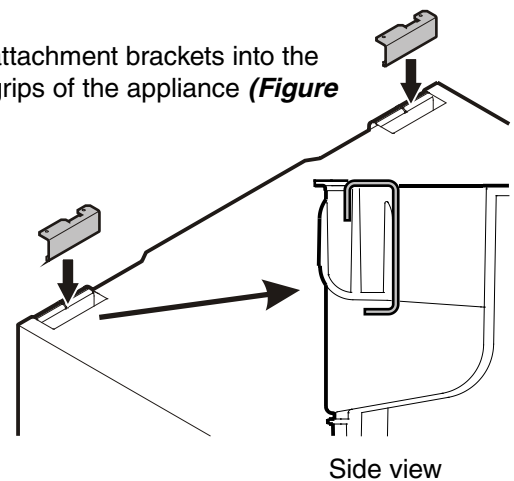


Figure 11

ICEMAKER

Safety Instructions and Warnings

- Do not install the water connection while the combined refrigerator-freezer is connected to an electrical outlet.
- The connection to the water supply may only be made by a trained and licensed plumber.
- All equipment and devices used to supply the water to the appliance must comply with the current regulations for your geographical area.



WARNING!

Connect to potable water supply only.

Water Connection Requirements

- The water supply pressure requirements are different based on whether or not the supplied Liebherr water filter is installed.

With the filter installed, the pressure must be in the range of **40-90 psi (2.8-6.2 bar)**.

Without the filter installed, the acceptable pressure range is **22-87 psi (1.5-6 bar)**.

Failure to meet these requirements will likely result in ice maker malfunction and possibly cause a water leakage that can damage flooring and surrounding furniture.

- A shut-off valve, must be installed between the hose line and the main water supply so the water supply can be stopped if necessary.

IMPORTANT

Do not install the shut-off valve behind the appliance.

Water Connection Adapter -

Figure 12

IMPORTANT

Only use the supplied adapter for connection to the solenoid valve. The solenoid valve has a metric R3/4 male connector. Any attempt to use other adapters for connection could damage the thread on the solenoid valve.

The supplied adapter enables different connection options for different kinds of water lines. A water line is not supplied with the appliance.

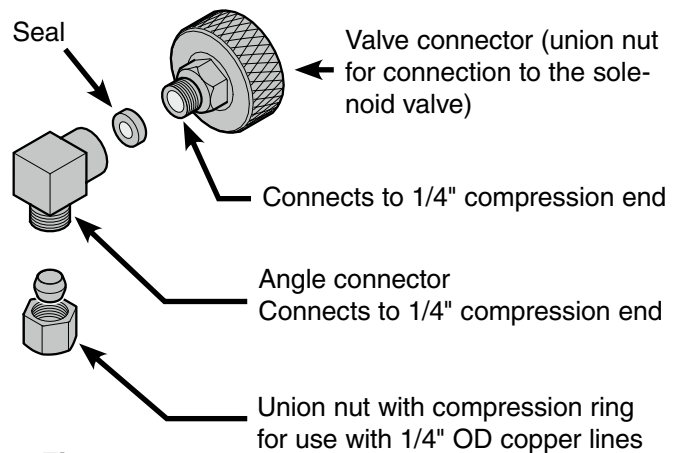


Figure 12

The connection to the valve connector can be done with or without the angle connector, as required.

Braided style ice maker hoses can be connected directly to the threaded ends.

For connection with 1/4" OD copper lines, use the union nut with compression ring.

IMPORTANT

Make sure that the connection is fitted with a seal and is tight.

- Insert the water strainer supplied into the valve connector (**Figure 13**).

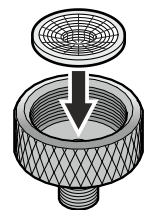


Figure 13

Connection to the Water Supply

1. Move the appliance towards the final position and leave enough space to work behind.
2. Insert the water supply line into its intended opening at the back of the appliance (**Figure 14**).
3. Move the power supply line to the area of the electrical outlet.

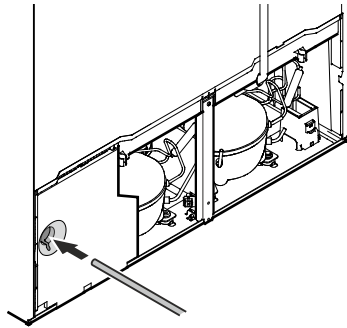


Figure 14

⚠ WARNING!

Do not connect to the electrical outlet before the installation is completed and the water line is connected to the solenoid valve.

4. Push the appliance slowly to the back wall until the compressor mounting plate makes contact with the anti-tipping bracket (**Figure 15**).

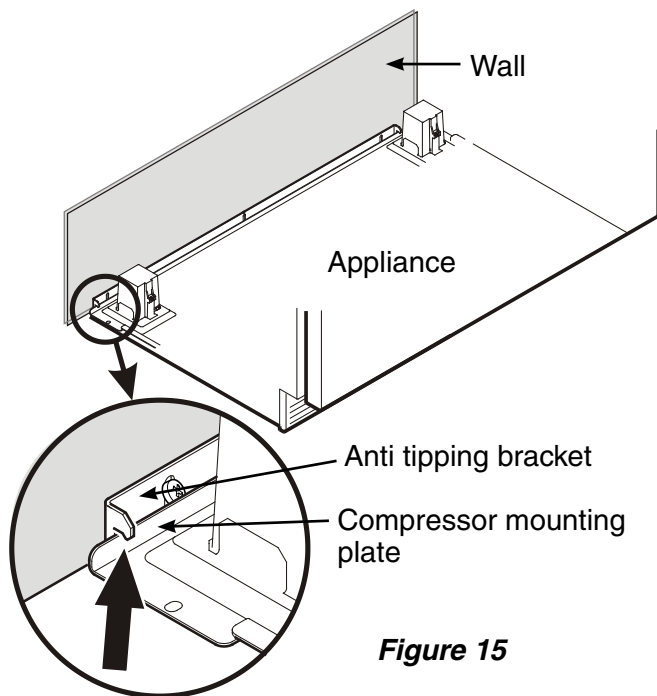


Figure 15

⚠ WARNING!

To prevent the appliance from tipping forward the compressor mounting plate must have contact with the anti tipping bracket (Figure 15).

5. Remove the cover from the solenoid valve (**Figure 16**).
6. Connect the water line to the adapter in the respective configuration, depending on the type of water line used. Figure 17 shows the configuration with a copper line as an example.
7. Bleed the air from the water line by opening the water supply temporarily.

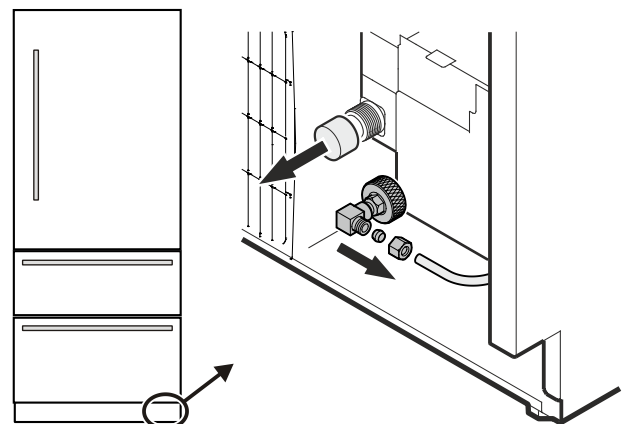


Figure 16

8. Screw the adapter onto the solenoid valve (**Figure 17**).

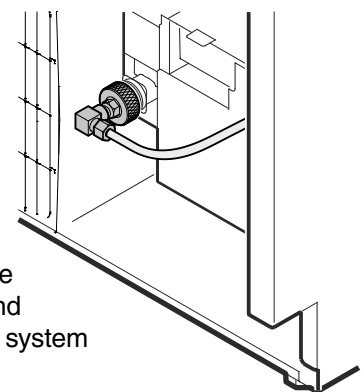


Figure 17

9. Open the shut-off valve for the water supply and check the entire water system for leaks.

INSTALLATION

Leveling the Appliance - Figure 18

1. The height can be adjusted in front by twisting the leveling feet ①.
2. Twist the adjusting bolt ② to set up the back of the refrigerator.
3. Rotate leveling feet ① until firmly in place against the floor.

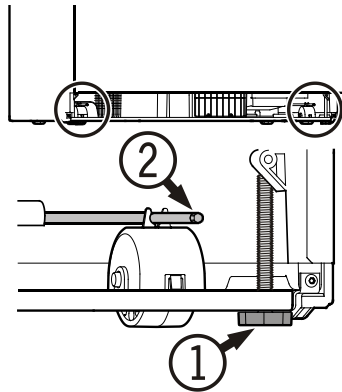


Figure 18

⚠ WARNING

To prevent the appliance from tipping forward the leveling feet ① (Figure 18) must have contact with the floor.

Top anti-tipping bracket

4. Secure the appliance with M5 x 7 screws (Figure 19).

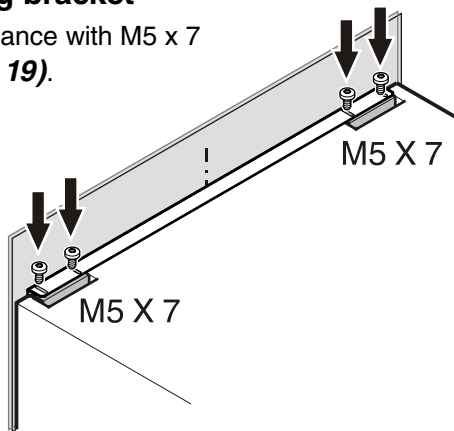


Figure 199

Mounting the Ventilation Grille - Figure 20, 21

1. Pull out the bottom freezer drawer.
2. Remove the blue protection film from the dust filter provided and insert the filter into its opening in the toe kick area as shown in Figure 20. Attach the filter at the bottom, press down the button and click into place.

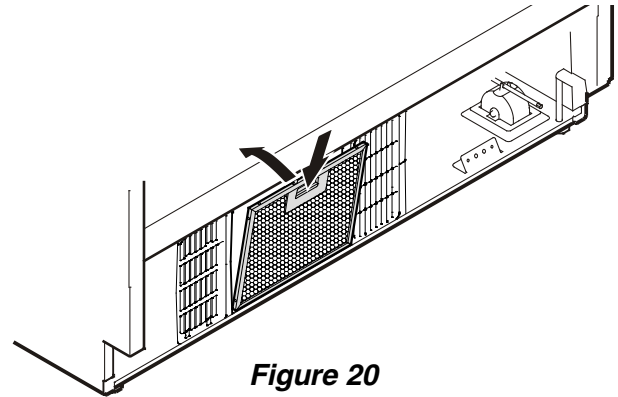


Figure 20

3. Mount the ventilation grille as shown in Figure 21.

IMPORTANT

Only use the ventilation grille provided with the appliance. This grille is required for proper operation of the appliance.

The ventilation opening must not be covered with a cabinet base.

Failure to use the supplied grille can result in product failure and will void the warranty.

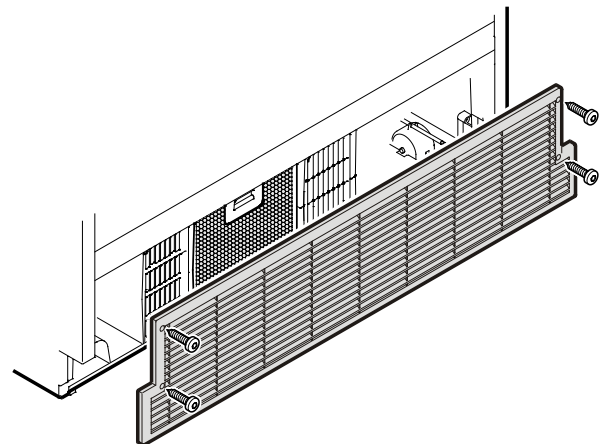


Figure 21

For Service in the U.S.

Liebherr Service Center

Toll Free: **1-866-LIEBHER** or **1-866-543-2437**

Email: Service-appliances.us@liebherr.com

PlusOne Solutions, Inc.

3501 Quadrangle Blvd, Suite 120

Orlando, FL 32817

For Service in Canada

Liebherr Service Center

Toll Free: **1-888-LIEBHER** or **1-888-543-2437**

www.euro-parts.ca

EURO-PARTS CANADA

39822 Belgrave Road

Belgrave, Ontario, N0G 1E0

Phone: (519) 357-3320

Fax: (519) 357-1326