



## C24GGXU

Free-Standing Gas Range, 24",  
Stainless Steel

EAN13: 8017709173159

### Professional Style

AISI 304 stainless steel

Sturdy American style control knobs

4" Polished stainless steel backsplash

### Gas oven:

3 Cooking modes

Gas Convection mode

Broil mode

Defrost mode

Air cooled triple glazed removable door

"Ever-clean" enamelled oven interior

5 Shelf positions

Oven capacity: 2.8 Cu. Ft

Gas broil element: 10,500 BTU

Gas bake element: 11,200 BTU

### Gas Rangetop:

Heavy-duty cast iron grates

Full-width grates

Sealed burners

Automatic electronic ignition

Safety valves

LP gas conversion kit included

### 4 Gas burners:

Right-rear double-insert super burner 15000 BTU

Left-rear 3400 BTU

Right-rear 6200 BTU

Left-front 6200 BTU

Connected load nominal power 120V

Amp supply required @ 120V: 1.2 Amps

Voltage rating: 120V 60Hz

Gas inlet location: back top right

### Safety:

Gas safety valves

Ventilated door with cooling system to prevent  
overheating

Anti-tilting norms satisfied

Suitable for building-in

### Accessories included:

1 Baking tray

2 Chrome shelves

1 Wok ring



1 Moka ring

## Options

---

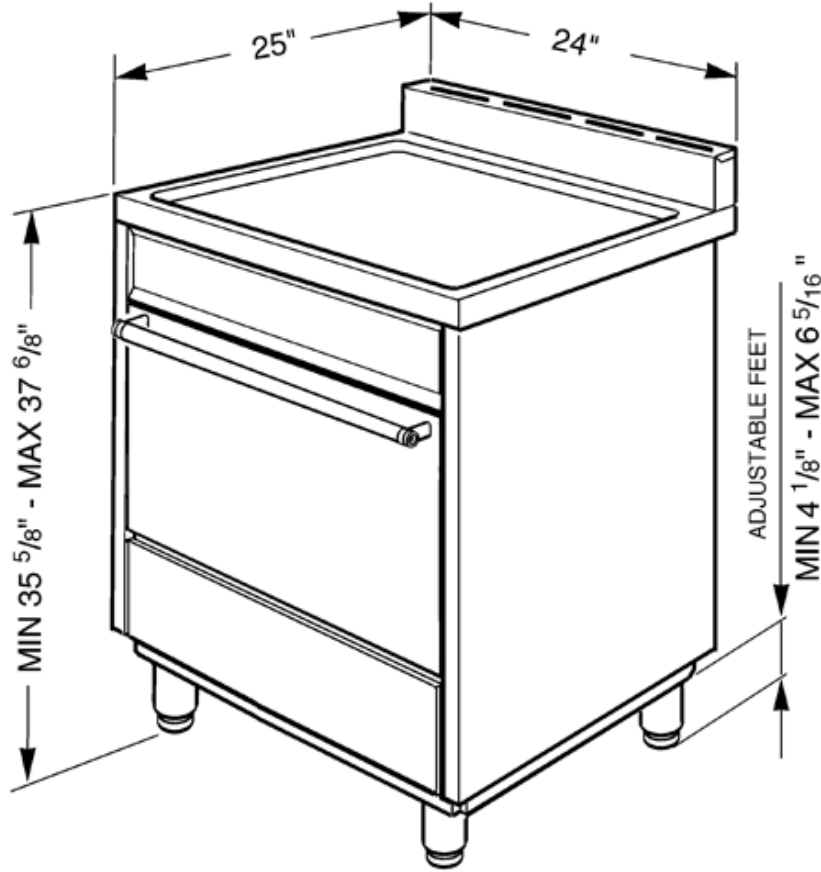
- **KIT124XU** - Island trim
- **8MCCU** - "Classic" control knob kit
- **GT1T-1** - Telescopic guides - full extension
- **GT1P-1** - Telescopic guides - half extension

**SMEG U.S.A. INC.**  
**A&D BUILDING**  
**150 EAST 58th STREET, 7th FLOOR**  
**NEW YORK, NY, 10155**  
**Tel. +1 212 265 5378**  
**Fax +1 212 265 5945**



# C24GGXU

24"  
stainless steel  
cooktops type: gas  
oven type: gas



SMEG U.S.A. INC.  
A&D BUILDING  
150 EAST 58th STREET, 7th FLOOR  
NEW YORK, NY, 10155  
Tel. +1 212 265 5378  
Fax +1 212 265 5945