

## FAB32UBLLN

### 50's Retro style

50'S Retro Style refrigerator with automatic freezer, Black, Left hand hinge

EAN13: 8017709219109

2 adjustable thermostats

Freezing capacity: 22 lbs./24 - 10kg/24h

Thaw time: 18h

#### REFRIGERATOR:

Fresh food capacity: 229 liters net capacity

Fresh food capacity: 231 liters gross capacity

Automatic defrost

3 adjustable glass shelves

1 fruit and vegetable container

1 covered storage box

1 chrome wine rack

#### FREEZER \*\*\*\*:

3 adjustable shelves

1 bottle rack

Frost-free

Frozen food capacity: 2.65 cu. ft. net capacity

Frozen food capacity: 3.43 cu. ft. gross capacity

2 drawers

1 fast-freezing drawer

Fast-freezing bottom

Ice cube tray

A gap of 175mm must be left on the hinged side of the product to allow the door to open.

Climatic class: SN,N,ST,T

Voltage: 120V

Current: 10Amps

Frequency: 60Hz

Noise level: 41dB(A) RE 1 pW

#### DIMENSIONS:

Dimensions (h x w x d) 1926 x 600 x 677mm

75"13/16 x 23"39/64 x 26"41/64 inches

Gross weight: 191 lbs

Net weight: 222 lbs

When positioning these appliances adjacent to a kitchen unit, a gap of 6 7/8" must be left on the hinged side of the product to allow the door to open. When positioning next to a wall, it is recommended to leave a larger gap of 12 1/2".



## Versions

- **FAB32UBLRN** - Black, right hand hinge

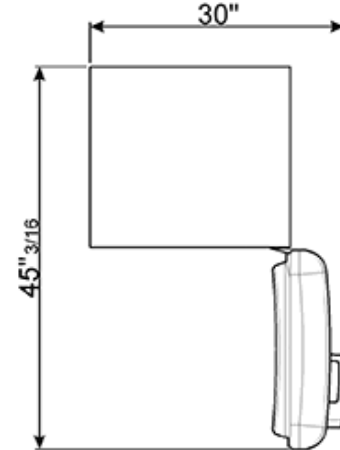
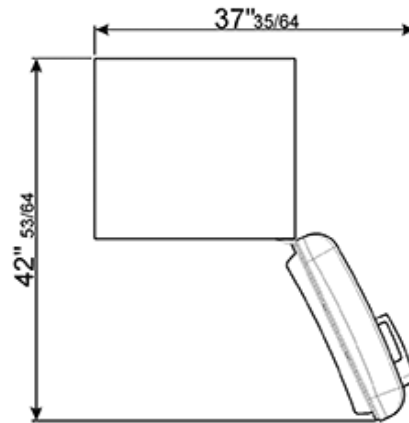
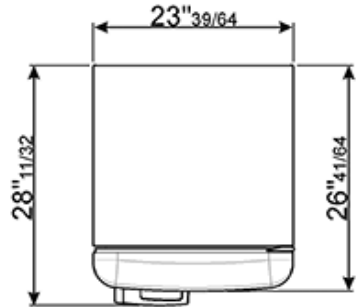
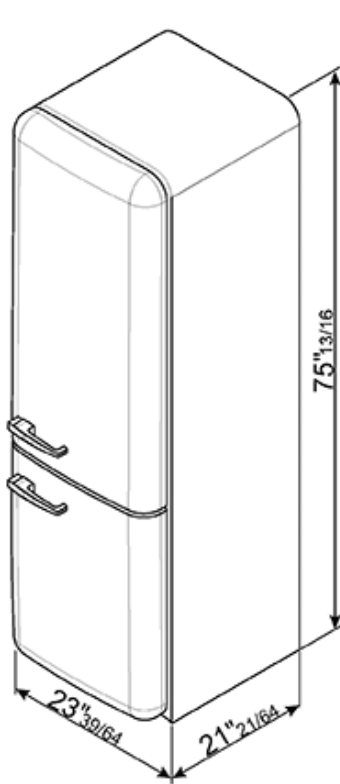
**SMEG U.S.A. INC.  
A&D BUILDING  
150 EAST 58th STREET, 7th FLOOR  
NEW YORK, NY, 10155  
Tel. +1 212 265 5378  
Fax +1 212 265 5945**



# FAB32UBLLN

50's Retro style

fridge  
free standing  
combined  
black  
24"



SMEG U.S.A. INC.  
A&D BUILDING  
150 EAST 58th STREET, 7th FLOOR  
NEW YORK, NY, 10155  
Tel. +1 212 265 5378  
Fax +1 212 265 5945