

## 24 INCH FREESTANDING ELECTRIC RANGE

BERU24102SS / BERG24102SS



### Cooktop

4 electric cooking zones  
Residual heat indicator

### Range

True European Convection  
Large oven capacity 2.51 cu. ft.  
Programmable electronic timer  
Pull out storage drawer  
2 Wire Oven Racks  
Easy to remove side racks  
Easy Clean gray enamel  
Interior lighting  
Adjustable feet

### Accessories

Side trim kit optional  
Island trim included  
Splash back optional

### Dimensions

H x W X D: 36" x 23 9/16" x 25 3/4"  
Height is without island trim  
Depth includes knobs & handle

## In Harmony with Your Life



### True European Convection

Blomberg's advanced convection system features an additional dedicated heating element around the cooking fan to circulate warm air evenly, creating a three-dimensional cooking effect that works consistently on every rack. Roasts and casseroles cook faster and more uniformly. Baked goods are evenly browned and beautiful. Multiple dishes cook to perfection at the same time with no mixing of flavors or aromas.

### Large Oven Capacity

Blomberg knows you can never have too much room in your oven, even if there's not a lot of room in your kitchen. That's why we engineered a generous 2.51 cu. ft. oven capacity into our 24-inch range.



### Programmable Electronic Timer

Blomberg ovens feature electronic timers that show the time of day and allow you to preset the start time, duration, or end of cooking. When the set cooking time ends, the oven switches itself off automatically.



### Easy Clean Gray Enamel

Blomberg 24-inch oven cavities are coated with a long-lasting, nonporous, gray enamel finish that is not only attractive but also extremely easy to clean. Just a simple wipe with a damp cloth is all it takes to remove fresh spills and keep your oven looking like new.



### Interior Lighting

For full visibility while baking, braising, and roasting, Blomberg ovens feature bright interior lighting, including cylindrical lamps placed on the rear wall, and a non-reflective enamel surface that reduces glare on the glass oven door.

## 24 INCH FREESTANDING ELECTRIC RANGE

### BERU24102SS / BERU24102SS

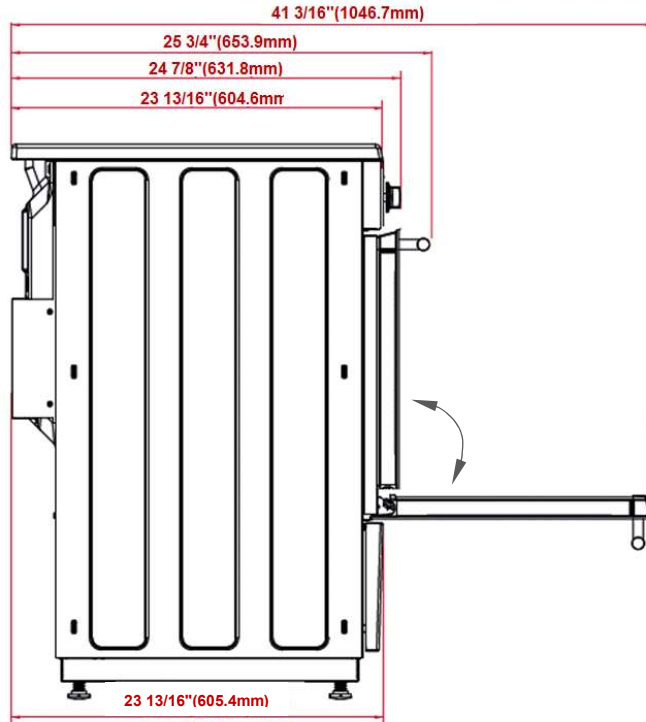
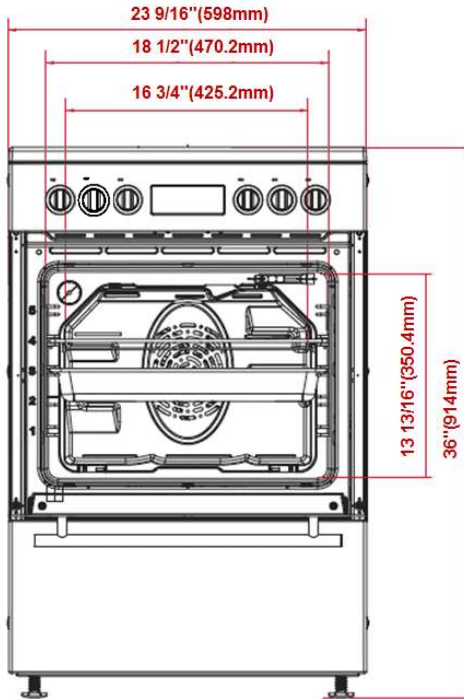
GENERAL	BERU24102SS / BERU24102SS
Type	Freestanding
Size	24"
Color	Stainless Steel
Side Walls	Black
Control type	Electronic touch control timer
FUNCTIONS	
Multi-dimensional Cooking	Yes
Convention Cooking	Yes
Bottom Heater	Yes
Convection	Yes
Broiler	No
Broil	Electric
Convection broiler	No
Convection roast	Yes
True European convection	Yes
SPECIAL FEATURES	
12/24-hour clock format	Yes
Splash Back	Optional
Island Trim	Included
Simmering	No
Cooling Fan	Yes
Cavity Enameling Color	Gray
Oven Lights	1 x Round light
Adjustable Feet	Yes
Anti-tip (tilting) bracket	Yes
Bottom Compartment	Storage drawer
Fuel Type	Electric
LPG Conversion Kit	-
OVEN DOOR(S)	
Oven Glass Window	Full Glass
Door Cooling System	3 Pane Heat Resistant Glass(fixed)
Net Capacity cu. ft.	2.51 cu. ft.
Bottom Heating Element Wattage	1200W
Upper Heating Element Wattage	2200W
Convection Element Wattage	1800W
Low Grill (Broil)	1100W
Grill (Broil)	2200W
ACCESSORIES / OVEN CAVITY	
Rack Positions	5 levels
Telescopic Pull-out Shelf System	-
Pyrolytic Self Cleaning	No
Sabbath Mode	No
Broiler Pan	No
Wok adapter	-
Chromed racks	2
COOKTOP	
Zone Configuration	4 Vitroceramic
Front Left	8.3" / 4.7" - 2200 / 750 W (Duo)
Rear Left	6.3" - 1500 W
Front Right	5.5" - 1200 W
Rear Right	7" - 1800 W
Central	
Pan Support Type	-
Pan Support Quantity	-
Gas Safety Device for hob	-
Gas Safety Device for oven	-
DIMENSIONS/WEIGHT	
Required cutout dim (H x W x D) (in)	36" x 24" x 24"
Overall dim - height	36"
Overall dim - width	23 9/16"
Overall dim - depth	25 3/4"
Weight (lb./kg)	149.5 lbs/68 kg
POWER / RATINGS	
KW/Amps rating at 240V, 60Hz	120-240V 60Hz
Supply Cord & Plug	Canada
Cable	No
INSTRUCTIONS FOR USE	
Use & Care Manual	EN, SP, FR
Installation Manual	EN, SP, FR

\*Canada model (BERC24102SS) has 4 prong power supply cord

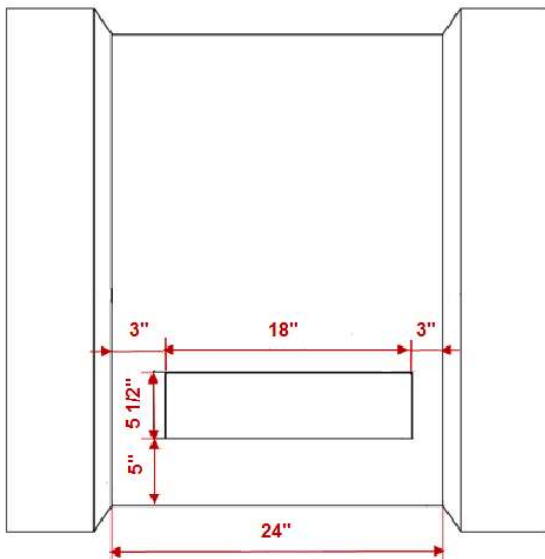
## 24 INCH FREESTANDING ELECTRIC RANGE

BERU24102SS / BERG24102SS

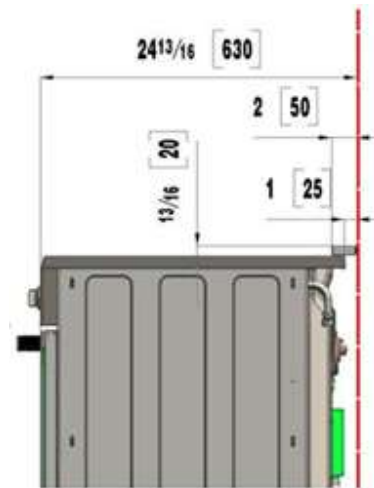
### Dimensions and Installation



#### Cabinet



**Required minimum air gap clearances: 1/4" sides**



Island trim: standard comes with the range un-attached.  
4" High Stainless Splash Back (optional)

NOTE TO THE INSTALLER: All height, width and depth dimensions are shown in inches (as well as metric). Beko US Inc. reserves the absolute and unrestricted right to change product materials and specifications, at any time, without notice. Please visit our website [www.blombergappliances.us](http://www.blombergappliances.us) or call 888 352 2356 to verify the latest specifications with final dimensional data and other details prior to installation and making a cutout. Applicable product limited warranty information may be found in accompanying product materials or you may contact your account manager for further details. Proper installation is the responsibility of the installer. Product failure due to improper installation is not covered under the Limited Warranty.