

BRFB 1822 SSN

17.8 cu.ft (505 L) total gross volume
Duo cycle no frost cooling



Fridge

11.05 cu-ft (313 L) net fresh food volume
Frost free
Chrome coated wine rack
Illumination with white LED
2 safety glass shelf
3 door rack
Energy Star 2014 qualified

Freezer

5.12 cu-ft (145 L) net freezer volume
Auto defrost
Automatic Ice Maker
Fast freeze function
3 Drawers

Hygiene

Blue zone
hygAIR ionizing technology
Hygiene+ antibacterial carbon filter
Antibacterial seal

Technical Information

Dimensions (HxWxD) (Cm): 172 x 74 x 77
Dimensions (HxWxD) (In): 67 3/4 x 29 1/8 x 30 3/8*

*Depth is with door handles. (Without handles depth 28 3/8")

Color

BRFB 1822 SSN: Fingerprint free stainless steel, auto ice maker, right hinge
BRFB 1822 SSLN: Fingerprint free stainless steel, auto ice maker, left hinge



FEATURES



nofrost

NoFrost

Keeps food fresher for longer periods. Eliminates ice and bacteria build-up, avoids unpleasant fridge odors.



hygAIR

HygAIR

Eliminates airborne bacteria and odor forming molecules, by producing natural negative ions. And food stays fresher for longer.



trio cycle cooling

TrioCycle

Provides separate air circulation in the freezer, the fresh food compartment and the flexi zone by means of three separate fans – so prevents odour blending, preserves foods and provides more energy efficient and silent cooling.



bluelight

Blue Light

Allows fruit and vegetables to continue photosynthesis. Your food maintains its vitamin value.



hygiene+

Hygiene+

Photo catalyst carbon filter, eliminates bacteria, reduce fridge odour and ensures hygiene. The carbon filter can be reactivated easily, with just one day's exposure to sunlight.

Blomberg®

seit 1883

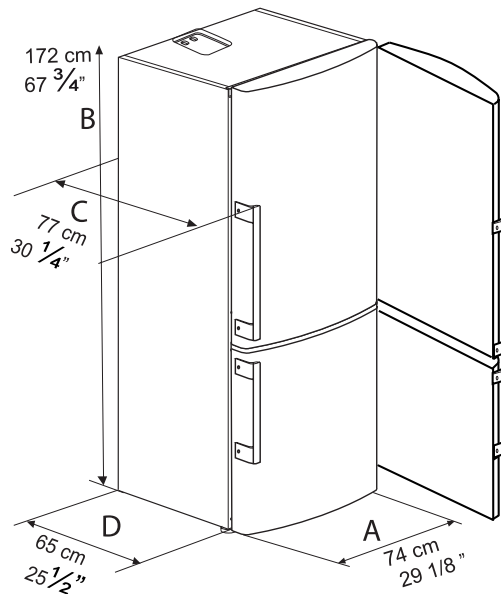
BRFB 1822 SSN

17.8 cu.ft (505 L) total gross volume
Duo cycle no frost cooling

CONTROLS	
Type	Full Frost Free Bottom Freezer Refrigerator
Control system	Electronic Control
Cooling system	DUO CYCLE NO FROST COOLING
CAPACITIES	
Total net volume, cu.ft	16,2
L	458
Fresh food net volume, cu.ft	11,1
L	313
Freezer net volume, cu.ft	5,1
L	145
FRIDGE FEATURES	
Water dispenser	-
Electronic control display type	7 segment
Auto defrost	x
Inner illumination	White LED
Shelves	2 safety glass
Crispers	1
Door racks	3
Wine rack	x
Bottle gripper	-
Egg tray	2 x opaque / 6 egg holder
Compressor	Variable Speed VCC
Fan ventilation	x
FLEXI ZONE	
Total net volume, cu.ft	-
L	-
Number of drawers	-
Number of shelves	-
Adjustable temperature range	-
FREEZER FEATURES	
Auto defrost	x
Fast freeze function	-
Number of freezer drawers	3
Number of flaps	-
Automatic ice maker	3,96832 lbs/day
Ice cube tray	-
HYGIENE	
Blue zone	x
hygAIR ionizing tech-logy	x
Hygiene+ antibacterial carbon filter	x
Antibacterial seal	x
TECHNICAL INFORMATION	
Supply voltage, V/Hz	120 V / 60 Hz
Rated Current, A	1.9 A
Noise level, dBA	43
DIMENSIONS	
Unpacked HxWxD, cm	172x74x77
Unpacked HxWxD, in	67 3/4 x 29 1/8 x 30 3/8
Packed HxWxD, cm	182x81x79
Packed HxWxD, in	71 5/8 x 31 7/8 x 31 1/8
Product weight, kg	90
Product weight, lbs	198
Packed weight, kg	95
Packed weight, lbs	209
PERFORMANCE	
Energy Star qualified	x
Climatic class	T
Annual energy consumption, kwh/year	528
Cooling gas	R600a
COLOR OPTIONS	
WH: White	x
SL: Silver	-
SS: Finger Print Free Stainless Steel	x
FFBI: Fully Integrated	-

BRFB 1822 SSN

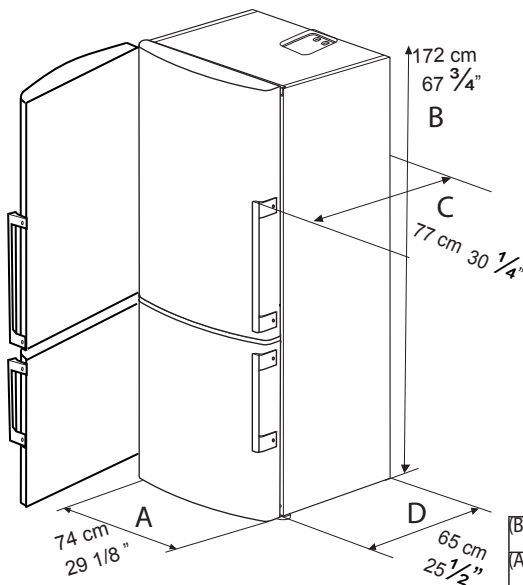
17.8 cu.ft (505 L) total gross volume
Duo cycle no frost cooling



(B) Altura (cm/inch) sin paseó	172 - 67 3/4"
(A) Ancho (cm /inch) sin paseó	74 -29 1/8"
(C) Profundidad (cm/inch) sin paseó (con	77- 30 1/4"

(B) Altura (cm/inch) paseó	182.6-28 3/8 "
(A) Ancho (cm /inch) paseó	81.3 -32 "
(C) Profundidad (cm/inch) paseó	77.6-30 1/2"

Peso bruto (Kg) / lbs	101.5 /223.3"
Peso muerto (Kg) / lbs	94.6 /208.1"



(B) Altura (cm/inch) sin paseó	172 - 67 3/4"
(A) Ancho (cm/inch) sin paseó	74 -29 1/8"
(C) Profundidad (cm/inch) sin paseó (con	77- 30 1/4"

(B) Altura (cm/inch) paseó	182.6-28 3/8 "
(A) Ancho (cm /inch) paseó	81.3 -32 "
(C) Profundidad (cm/inch) paseó	77.6-30 1/2"

Peso bruto (Kg) / lbs	101.5 /223.3"
Peso muerto (Kg) / lbs	94.6 /208.1"