

PROF304INSXT

PROFESSIONAL SERIES INDUCTION RANGE 30" 4 HEATING ZONES
ELECTRIC SELF-CLEAN OVEN - STAINLESS STEEL FINISH
COLOR OPTIONS BELOW



Counter-deep maintop for flush installation with kitchen countertops and cabinets

Maintop with 4 latest generation extra-large induction zones and bridging of right-side zones

4.6 cu.ft electric self-clean oven with dual diagonal convection fans for even baking and roasting on 7 shelf levels

Food temperature probe for accurate roasting and baking

8-pass electric broiler for broiling and grilling, with optional convection

Elegant digital gauge for precise control of oven temperature during pre-heating and baking with integrated controls for the temperature probe

Smooth-glide telescopic rack

Soft-close oven door with edge-to-edge tempered glass

MAINTOP FEATURES

Maintop	4 induction heating zones
Power	Front Left ø 5 3/4" 1400W (2200W booster) Back Left ø 8 1/4" 2300W (3700W booster) Front Right Bridge 2100W (3700W booster) Back Right Bridge 2100W (3700W booster)
Bridge function	Yes - Front Right + Back Right 7400W
Knobs	Metal finish with ergonomic shape
Included accessories	1" stainless steel island trim

OVEN FEATURES

Oven type	Electric oven pyrolytic
Power rating	Bake: Bottom 2100W Bake: Top 1400W Broiler: 3400W Convection: 2 x 1650W
Oven volume	4.6 cu.ft
Convection	Dual diagonal fans
Functions	Warming/Proofing/Dehydrate - Bake Convection - Convection Bake - Broil Convection Broil - Pizza - Clean
Food probe	YES
Self clean	YES pyrolytic
Oven door	Tempered edge-to-edge triple glass
Oven door hinges	Soft-close
Included accessories	1 set of telescopic glides 2 wire shelves Baking tray with grill trivet

TECHNICAL SPECIFICATIONS

Electrical supply	120/240V 60 Hz – 13000W 120/208V 60Hz – 11700W 40 Amp dedicated circuit
Power connection	NEMA 14-50P plug with 59" cord
Certification	CSA
Warranty	2 years parts & labor

OPTIONAL ACCESSORIES

TKP30X	Toe kick
901471	Set of telescopic glides for oven rack
901272	Bertazzoni white porcelain baking dish
BGH30	4" backguard



PROF304INSNET
Nero glossy



PROF304INSBIT
Bianco glossy



PROF304INSGIT
Giallo glossy



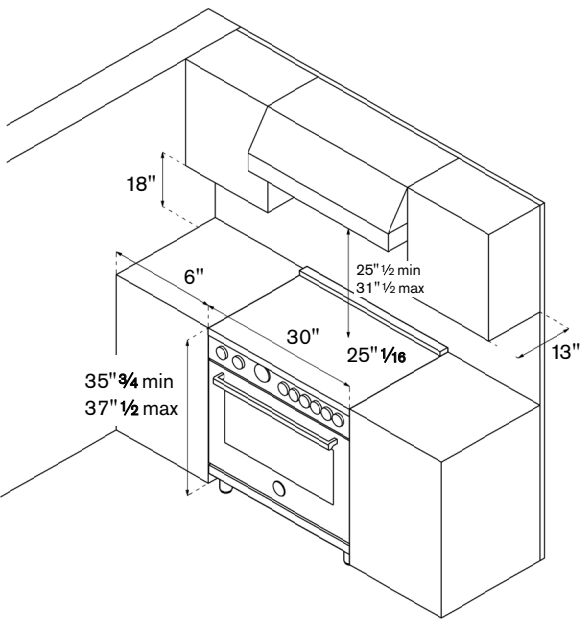
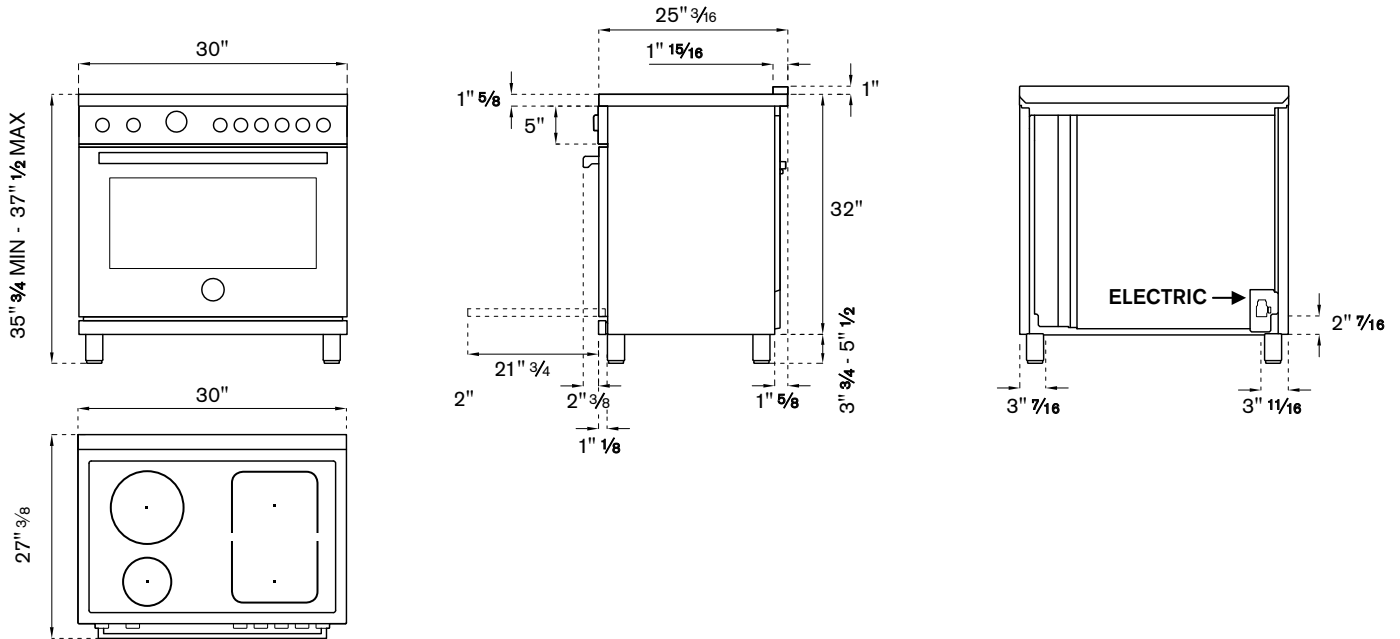
PROF304INSART
Arancio glossy



PROF304INSROT
Rosso glossy

PROF304INSXT

ROFESSIONAL SERIES INDUCTION RANGE 30" 4 HEATING ZONES
ELECTRIC SELF-CLEAN OVEN - STAINLESS STEEL FINISH



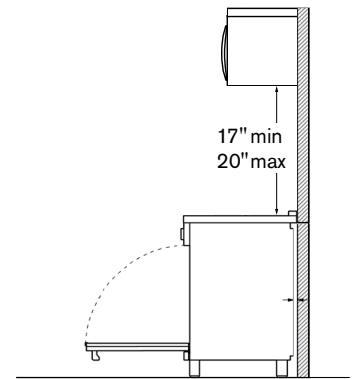
Side Clearance Requirements:

6" min clearance from edge of mantop.
Overhead Cabinet: 18" min height above countertop
13" max depth.

Ventilation Hood Clearance:

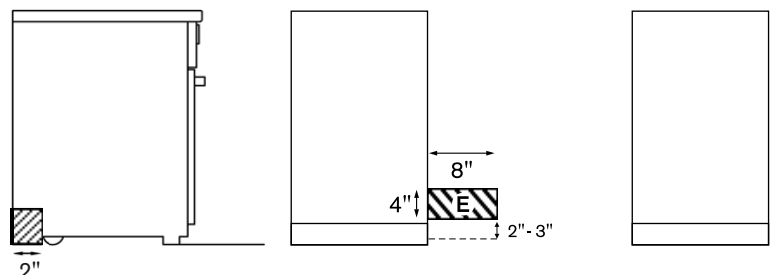
Ventilation Hood Clearance:
recommended height 25" ¹/₂ - 31" ¹/₂ above cooking surface.

OTR: recommended height 17" - 20" above cooking surface.



ELECTRICAL LINE

A properly-grounded horizontally- mounted electrical receptacle should be installed no higher than 3" (7,6 cm) above the floor, no less than 2" (5 cm) and no more than 8" (20,3 cm) from the left side (facing product). Check all local code requirements.



Installation clearance available behind range

Electrical Installation Location

Disclaimer: while every effort has been made to insure the accuracy of the information contained in this document, Fratelli Bertazzoni reserves the right to change any part of the information at any time without notice. For detailed installation specifications consult the installation manual. Fratelli Bertazzoni, Bertazzoni and the winged wheel brand icon are registered trademarks of Bertazzoni Spa.