

Installation Instructions

To prevent accidents
and machine damage
read these instructions
before
installation or use.

IMPORTANT SAFETY INSTRUCTIONS

Installation

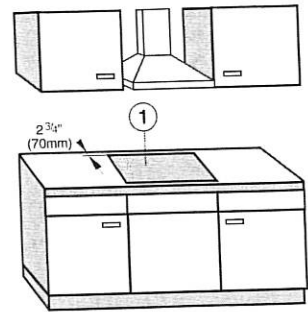
The minimum distances given in these Installation instructions are to combustible surfaces, and must be observed to ensure safe operation. Failure to do so increases the risk of fire.

The cabinetry and venting hood should be installed first to prevent damage to the cooktop.

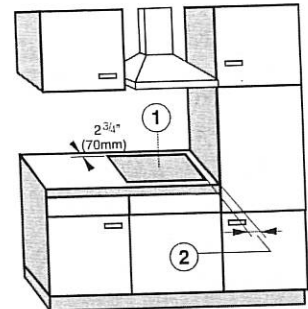
- ▶ Gas appliances should only be installed in a well ventilated area.
- ▶ The countertop must be bonded with heat resistant (212 °F/100 °C) adhesive to prevent distortion or dissolving.
- ▶ The cooktop should only be installed as shown in the illustrations while maintaining the required safety distances shown. Do not install the cooktop between two tall cabinets, this is a fire hazard.

① = indicates cooktop cut-out
② = minimum distance between cut-out and a tall cabinet: 12" (305 mm)

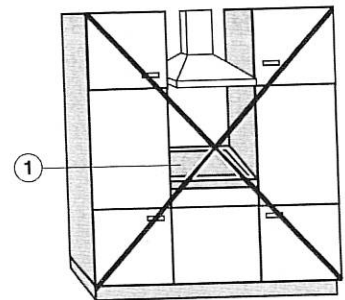
- ▶ This appliance has not been designed for maritime use or for use in mobile installations such as recreational vehicles or aircraft. However, under certain conditions it may be possible for installation in these applications. Please contact the Technical Service Department with specific requirements.



recommended



not recommended



not allowed

IMPORTANT SAFETY INSTRUCTIONS

► The cooktop must not be installed over a dishwasher, washer, dryer, refrigerator or freezer. Heat radiated by the cooktop may damage the appliances.

► Deep fat fryers must not be installed next to gas cooktops. Gas flames can ignite splattering oil. A distance of at least 12" (305 mm) should be maintained between these two appliances. The minimum distance between two cooktops must be 4" (100 mm).

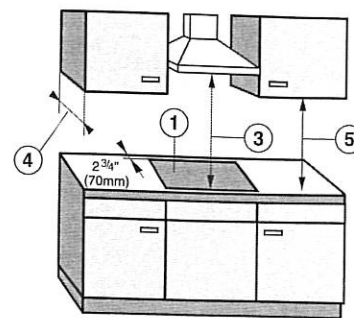
► Install the appliance so that the power cord or gas piping does not come into contact with any portion of the cooktop which may become hot during use.

This appliance must be installed with its own shut off valve and the included gas pressure regulator. Both the valve and the regulator must be easily accessible to the consumer after the appliance is installed.

This appliance must be disconnected from the gas supply during any pressure testing of the system performed in excess of $\frac{1}{2}$ psi (3.5 kPa). This appliance must be isolated at test pressures equal to or less than $\frac{1}{2}$ psi (3.5 kPa).

Any pipe connections must be made using a thread sealant approved for gas connections. Failure to correctly install these items could lead to a gas leak and subsequent explosion.

Safety distances above the appliance



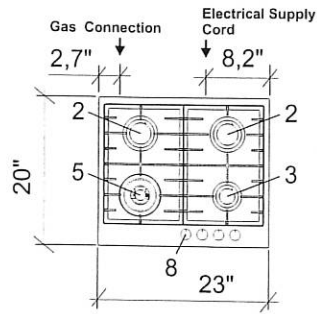
There must be a safety distance of at least 30" (760 mm), ③ between the appliance and any objects above it. The overhead cabinet depth, ④, if unprotected, must not exceed 13" (330 mm). The minimum distance of combustible surfaces located above and to the sides of the cooktop, ⑤, is 18" (457 mm).

If the cabinet manufacturer recommends a greater distance, follow that manufacturer's recommendation.

When installing the cooktop under a venting hood, always observe the minimum distance recommended by the hood manufacturer.

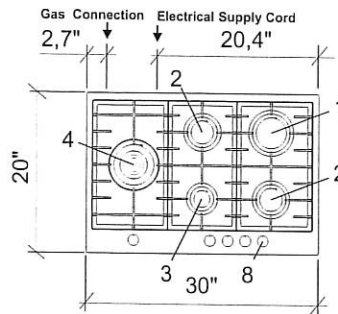
Keep this instruction book in a safe place for reference and pass it on to any future user.

Appliance dimensions



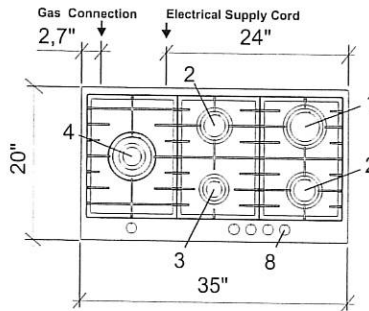
MODEL:CG60WOK-F

Depth of cooktop casing
from benchtop surface : 2,7"



MODEL:CG76WOK-F

Depth of cooktop casing
from benchtop surface : 2,7"

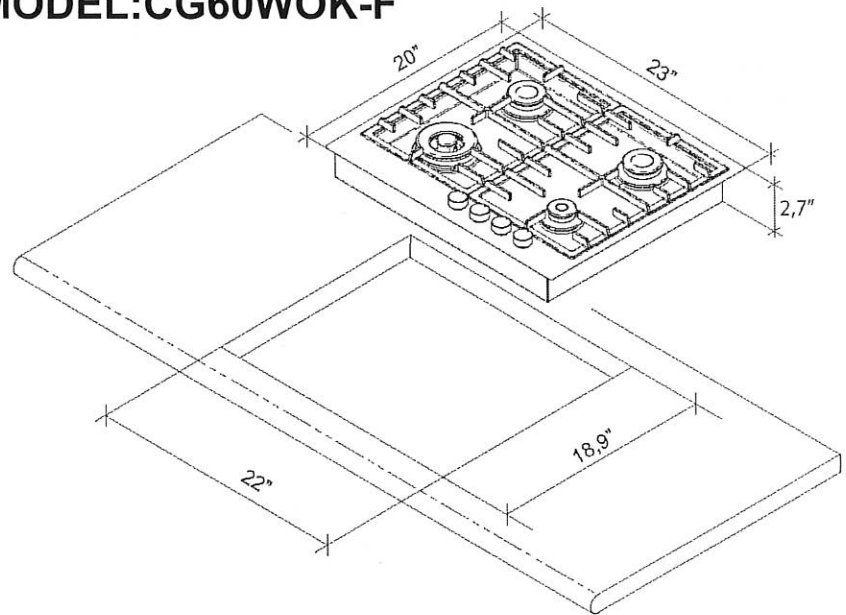


MODEL:CG90WOK-F

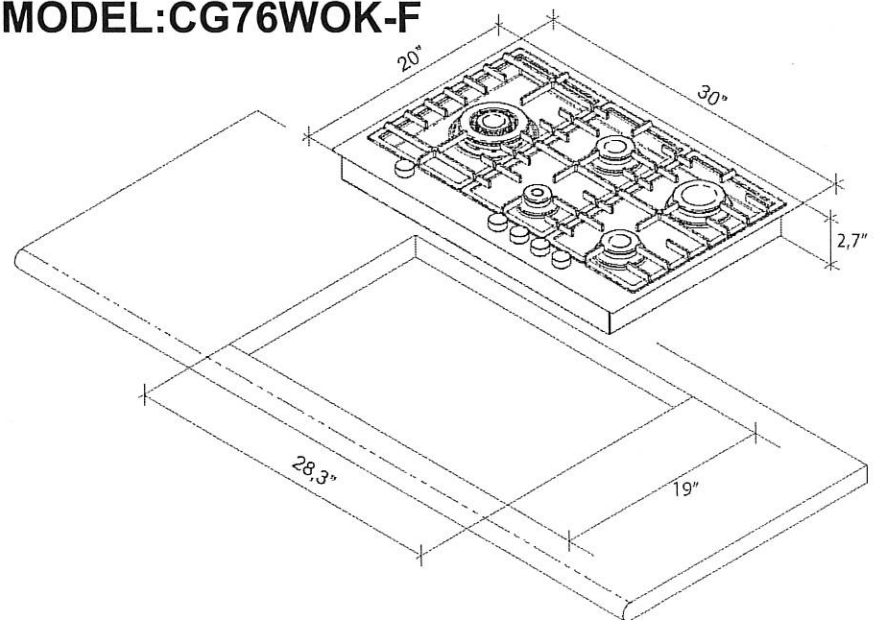
Depth of cooktop casing
from benchtop surface : 2,7"

1 Rapid burner	NG	Universal LPG
2 Semi-rapid burner	11500 BTU/hr	11346 BTU/hr
3 Auxiliary burner	8000 BTU/hr	8051 BTU/hr
4 Triple ring burner	5000 BTU/hr	5014 BTU/hr
5 Double ring burner	17500 BTU/hr	15640 BTU/hr
8 Control knob for burner	13600 BTU/hr	13600 BTU/hr

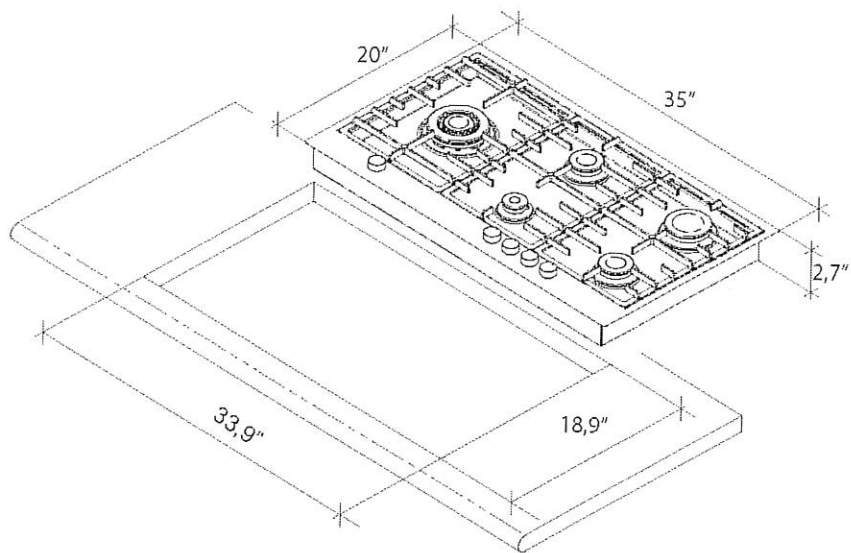
MODEL:CG60WOK-F



MODEL:CG76WOK-F



MODEL:CG90WOK-F

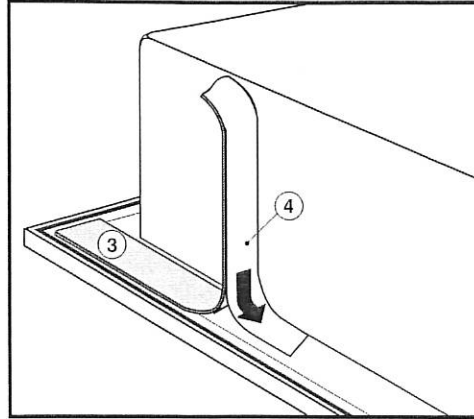


- Prepare the work top cut-out as shown in the diagram.
Remember to maintain the minimum safety distances to combustible surfaces:
 - 2 $\frac{3}{4}$ " (70 mm) between the cut-out and the back wall and
 - 12" (305 mm) between the cut-out and a side wall or tall unit to the right or left of the cut-out.(See "Important Safety instructions").
- Seal the cut surfaces with a suitable heat-resistant sealant to avoid swelling caused by moisture.

If during installation, the corners of the frame are not flush with the work top surface, the corner radius (max. $\frac{3}{16}$ " [4 mm]) can be carefully filed to fit.

Installation

Setting the cooktop into place

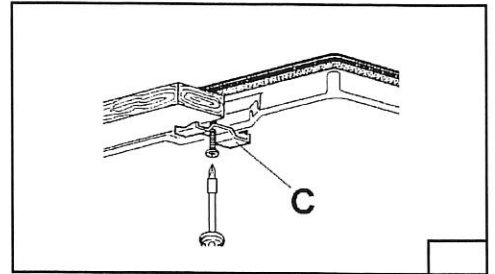


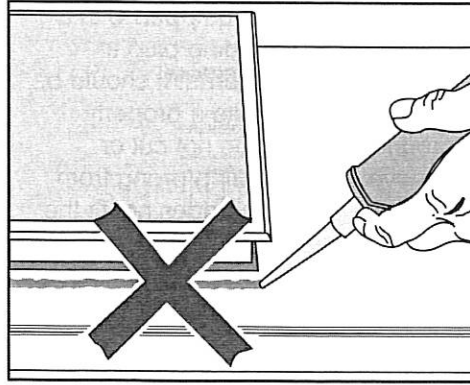
- After removing the protective backing, stick the supplied seal, under the edge of the cooktop.
- Screw the gas regulator onto the nipple underneath the cooktop. (See "Gas Connection - Gas pressure regulator".)
- Feed the power cord through the cut-out to the power outlet.
- Set the cooktop in the cut-out and center it.

Install the appliance so that the power cord and gas piping does not come in contact with any portion of the cooktop which may become hot during use.

Securing the cooktop

- Secure the cooktop with the included fixing bracket.





The sealing strip under the edge of the top part of the cooktop provides a sufficient seal for the worktop.

Do not let sealant get in between the cooktop frame and the worktop. This could cause difficulties if the cooktop ever needs to be taken out for servicing and possibly result in damage to the cooktop frame or the worktop.

Electrical connection

This appliance must be grounded according to local or national codes.

All electrical work should be performed by a qualified electrician in accordance with local codes and with the:

- National Electrical Code ANSI / NFPA No. 70 for the USA
- or
- Canadian Electrical Code Part I for Canada (CSA Standard C 22.1).

WARNING

Disconnect the appliance from the main power supply before installation or service. To reduce the risk of electric shock, make sure that the appliance is properly grounded after installation.

Power supply

The automatic ignition requires that the cooktop be connected to a 120 VAC, 60 Hz power supply. The supply line should be protected by a 15 A fuse.

Actual power consumption (during ignition only) is 25 W.

This appliance is equipped with a 3 . 3 f t . (1.0 m) long power cord that is ready for connection to the appropriate outlet.

Place the power outlet so that it is accessible after the appliance has been installed in the countertop.

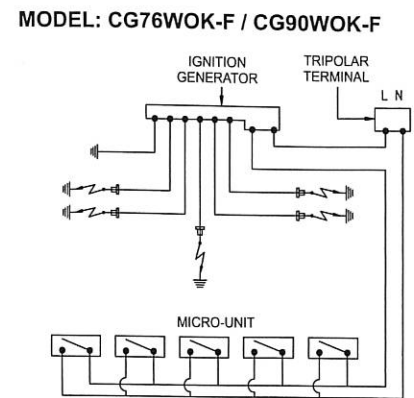
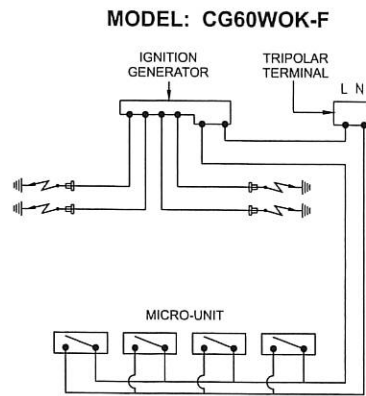
This appliance is equipped with a three-prong grounding plug to prevent shock hazards. It should be plugged directly into a properly grounded outlet. Do not cut or remove the grounding prong from the plug. If the plug does not fit the outlet, have the proper outlet installed by a licensed electrician.

To guarantee the electrical safety of this appliance, continuity must exist between the appliance and an effective grounding system. It is imperative that this basic safety requirement be met. If there is any doubt, have the electrical system of the house checked by a qualified electrician.

Note to the installer

Please leave these instructions with the consumer or the appliance.

Wiring diagram



⚠ Caution: Label all wires prior to disconnection when servicing controls. Wiring errors can cause improper and dangerous operation. Verify proper operation after servicing.

Gas connection

Installation and service must be performed by a qualified installer, service agency or gas supplier.

In Massachusetts a licensed plumber / gas fitter is required.

This appliance must be installed with its own shut off valve and the included gas pressure regulator. Both the valve and the regulator must be easily accessible to the consumer to turn on or shut off the gas supply after the appliance is installed.

This appliance and its individual shut off valve must be disconnected from the gas supply during any pressure testing of that system performed in excess of ½ psi (3.5 kPa). The appliance must be isolated from the gas supply line by closing its individual manual shut off valve at test pressures equal to or less than ½ psi (3.5 kPa).

Any pipe connections must be made using a thread sealant approved for gas connections. Failure to correctly install these items could lead to a gas leak and subsequent explosion.

The gas connection must be made in accordance with local codes or, in the absence of local codes, with

- the National Fuel Gas Code, ANSI Z 21.1 / NFPA 54 for the USA
- or
- the current Can / CGA B 149.1 and .2 Installation Codes for gas burning appliances for Canada.

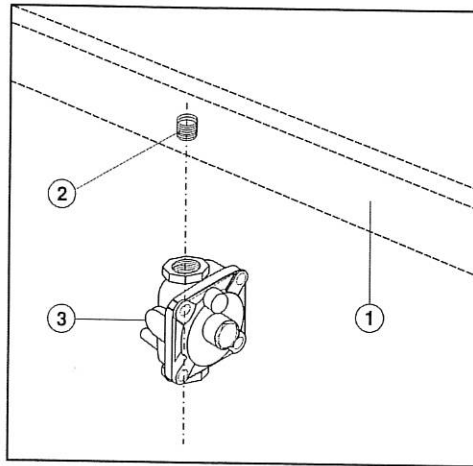
Make sure that the maximum gas supply pressure before the gas pressure regulator is never more than ½ psi for both natural gas or LP gas.

The minimum required gas pressure to get the required gas input is
4" w.c. for natural gas
10" w.c. for LP gas.

Gas pressure regulator

A pressure regulator that is convertible from natural to LP gas (Propane) or vice versa is included with the appliance. The included regulator corresponds with the gas type of the cooktop. Verify before installing.

The adjusted pressure is:
natural gas - 5" w.c.
LP gas - 10" w.c.



- ① Cooktop
- ② 1/2" NPT
- ③ Regulator

As shown in the above diagram, the included regulator **must** be used when connecting the cooktop to your gas supply. Make sure the regulator is easily accessible for adjustment after the appliance has been installed.

For convenience, an AGA or CGA approved flexible stainless steel gas hose (accordion type) may be used between the gas connection and the regulator. This will allow the appliance to be lifted out of the countertop for cleaning or servicing. Make sure that any drawers, cabinet doors, etc., do not rub on this gas hose.

Do not use any regulator unless it has been supplied by Doing so may cause a gas leak.

If there is any doubt concerning installation contact the Technical Service Department:

After connecting the appliance check all fittings for gas leaks e.g. with soapy water.

When installed properly, the flame will be steady and quiet. It will also have a sharp, blue inner core that will vary in length proportional to the burner size. Flame adjustment will not be necessary.

Gas connection

Nominal Rating Table

	CGA60WOK-F				CGA76WOK-F				CGA90WOK-F			
	NG 5"		LPG 10"		NG 5"		LPG 10"		NG 5"		LPG 10"	
	BTU/hr	Kw	BTU/hr	Kw	BTU/hr	Kw	BTU/hr	Kw	BTU/hr	Kw	BTU/hr	Kw
AUX BURNER												
Max. output	5000	1,4	5014	1,5	5000	1,4	5014	1,5	5000	1,4	5014	1,5
Min. output	940	0,3	955	0,3	940	0,3	955	0,3	940	0,3	955	0,3
SEMI RAPID BURNER X2												
Max. output	8000	2,3	8051	2,4	8000	2,3	8051	2,4	8000	2,3	8051	2,4
Min. output	1390	0,4	1390	0,4	1390	0,4	1390	0,4	1390	0,4	1390	0,4
RAPID BURNER												
Max. output	11500	3,4	11346	3,3	11500	3,4	11346	3,3	11500	3,4	11346	3,3
Min. output	2380	0,7	2412	0,7	2380	0,7	2412	0,7	2380	0,7	2412	0,7
TC WOK BURNER												
Max. output	xxx	xxx	xxx	xxx	17500	5,1	15640	4,6	17500	5,1	15640	4,6
Min. output	xxx	xxx	xxx	xxx	4750	1,4	4822	1,4	4750	1,4	4822	1,4
DC WOK BURNER												
Max. output	13600	4	13600	4	xxx	xxx	xxx	xxx	xxx	xxx	xxx	xxx
Min. output	4435	1,3	4435	1,3	xxx	xxx	xxx	xxx	xxx	xxx	xxx	xxx
ALL BURNER												
Max. output	34600	10	34716	10,3	50000	14,5	48100	14,2	50000	14,5	48100	14,2

Converting to another type of gas

GAS TRANSFORMATIONS AND ADJUSTMENTS

Replacing the nozzles

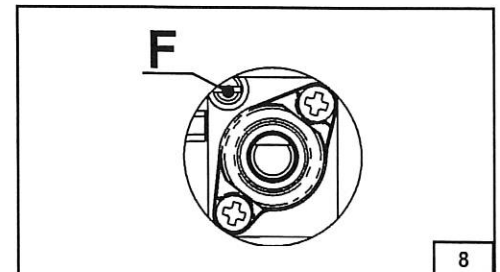
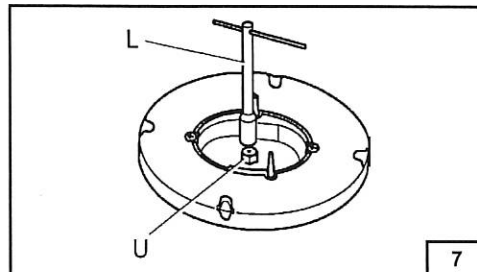
If the equipment is adjusted for a type of gas that is different from the original, it is necessary to replace the burner nozzles as well. The nozzles used to replace the original must be in accordance with the table of the technical characteristics enclosed.

To remove the racks and burners by means of a straight spanner 'L', unscrew the nozzle 'U' (Fig.7) and substitute it with the corresponding one and tighten the nozzle.

Adjusting the burners

The flame should always stay alight when the burner is switched on, even if there is an abrupt shift from the maximum to minimum flame position. If the flame does not stay alight, adjust it as follows:

- Start the burner
- Turn the tap up to the minimum position (small flame)
- Remove the knob from the tap rod
- Using a flat-tip screwdriver 'C' into the hole 'F' of the tap (fig.8) turn the by-pass screw up.



Help protect our environment

Disposal of packing materials

The cardboard box and packing materials are biodegradable and recyclable. Please recycle.

Disposal of an old appliance

Old appliances contain materials that can be recycled. Please contact your local recycling center about the possibility of recycling these materials.

Before discarding an old appliance, disconnect it from the gas and electrical supply and cut off the power cord to prevent it from becoming a hazard.

Code nr: CG90WOK-F	NG 5" WC			LPG 10" WC		
	Injector	Btu/h	Kw/h	Injector	Btu/h	Kw/h
Wok	2.00	17500	5.1	1.20	15500	4.5
Rapid	1.55	11500	3.4	1.02	11500	3,4
Semi Rapid x 2	1.30	8000	2.3	0.85	8000	2.3
Aux	1.05	5000	1,5	0.70	5000	1,5

Porter&Charles

SC905VPGC70XS0692
 SERIAL N°:14460001
120 V~ ; 60 Hz ; 0.6 W