

# CS 1350B Comfort / Builder

## 24" Freestanding or Semi-built-in Refrigerator & Freezer

The slim styling of the CS 1350B make it a clear choice for small spaces like galley kitchens, condos and apartments. This energy efficient, sleek 24" unit has features such as LED lighting in the refrigerator, ergonomic lever handle and an ice maker.

Small can be spacious. Smart interior design choices like the bottle rack and adjustable shelving maximize the space. And on the exterior, Liebherr's new SmartSteel material is scratch resistant and makes fingerprints virtually disappear.



Ergonomic  
Lever handles

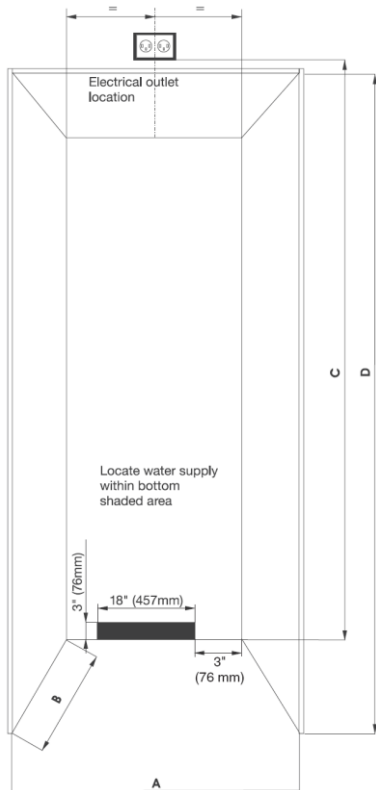


Clear  
Drawers

<b>Capacity</b>	
Total	369 liters / 13.0 cu. ft.
Refrigerator Compartment	275 liters / 9.7 cu. ft.
<b>Freezer Compartment</b>	<b>94 liters / 3.3 cu. ft.</b>
Energy Star	Yes
Energy consumption per year	491 KWH/Y
Estimated yearly Energy Cost	\$59 USD *
Climate rating	SN-T 10°C to 43°C(50°F to 110°F)
Power	115v at 60hz 2.3 amps/ 270 watt
Shipping Weight	97 kg / 214 lbs.
Cabinet	Painted Silver
<b>Refrigerator Compartment</b>	
Stainless Steel Door	Right Hand, Reversible
Interior light	LED
Forced air fan system	Quiet DC fan
Bottle shelf	Glass and Plastic
Adjustable Glass Door shelves	3 Glass and Plastic
Glass Shelves Adjustable	4
Crisper	2 Clear Plastic on rollers
<b>Freezer compartment</b>	
Icemaker	Connected to water supply
Ice cube production in 24 hr.	1 kg / 2.2 lbs.
Ice cube storage capacity	1.5 kg / 3.3 lbs.
Bins	4 Clear Plastic
*Your Energy Costs will depend on your utility rates and use. Estimated energy cost based on a national average electricity cost of 12 cents per KWh.	

THIS IS A QUICK REFERENCE GUIDE FOR **CS 1350B**, FOR COMPLETE INSTRUCTIONS, PLEASE REFER TO THE DESIGN GUIDE OR VISIT <http://www.liebherr-appliances.com>

## Cabinet Opening Dimensions



The appliance can be integrated into the kitchen units. To adapt the appliance to the height of the row of kitchen units, a suitable top cupboard can be fitted above the appliance.

### Unit Venting

DO NOT restrict the air flow. An air flow of at least 2" (50mm) must be provided. The opening can either be directly over the appliance or on the back of the cabinet on top of the unit (see ventilation requirements).

The CS models can be installed in standard 24" (609mm) deep cabinets. You will only have to make sure that the door swing clearance is enough. It is possible to push all CS models to the rear wall of the cabinet without modification.

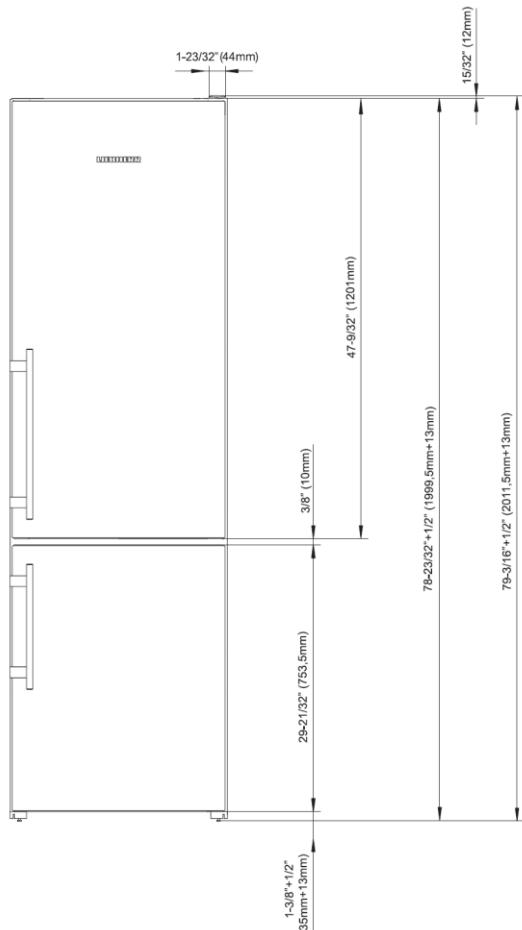
When installing the appliance next to a wall, a distance on the hinge side of 1 13/32 inches (36 mm) minimum is required between the appliance and the wall to allow for the door handle projection when the door is open.

### Minimum Cabinet Opening Dimensions:

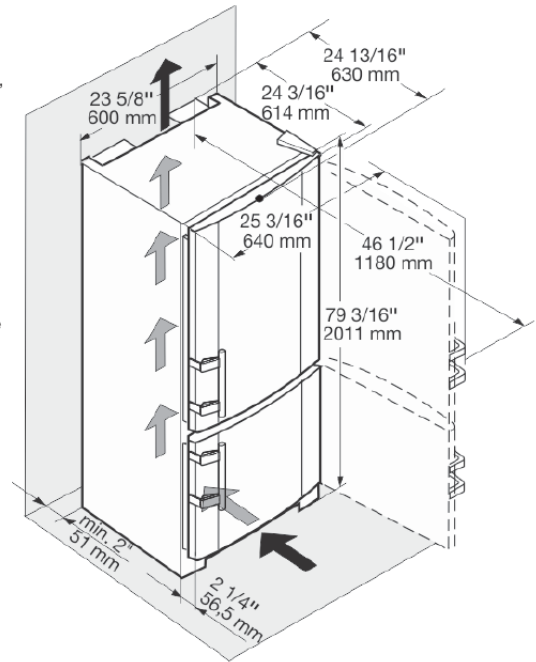
CS 1311, 1360

- A. 23-7/8" (606 mm)
- B. 24" (609 mm)
- C. 85-29/32" (2182 mm)
- D. 80" (2032 mm)\*

**\*Note:** The given cabinet opening height dimension includes space for top air vent. If you choose to place the vent above the cabinet or in a soffit, you will need to adjust the height dimension accordingly. Please refer to Ventilation Requirements.



## 1.5 Installation dimensions



## Ventilation Requirements

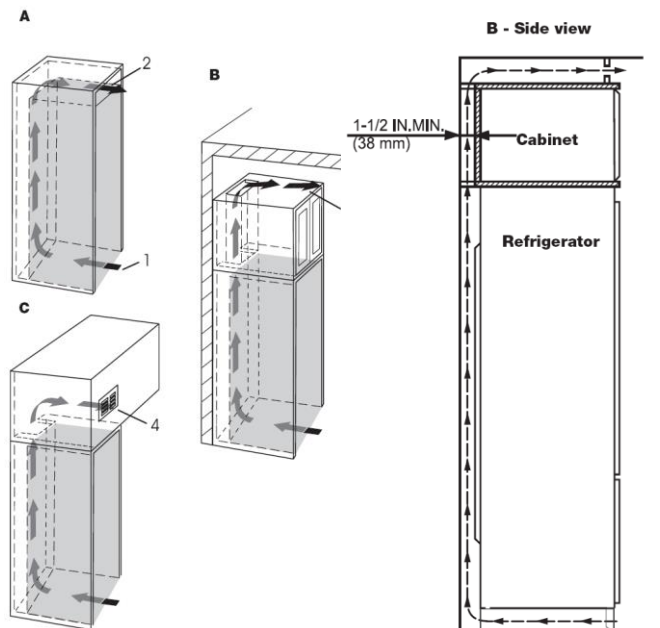
This type of cabinet must be carefully constructed using the correct dimensions and it must provide suitable ventilation to ensure proper appliance operation.

### Kitchen Cabinet Airflow

1. The following ventilation dimensions must be observed:

There must be a ventilation space at least 31 in.<sup>2</sup> (200 cm<sup>2</sup>) at the airflow inlet (1) and at the airflow outlet (2). The top ventilation space can be directed in one of the following ways:

- A) Directly over the appliance (2) with a gap of at least 2 inches between the ceiling of the unit and the cabinet.
- B) Above the cabinet and below the ceiling (3).
- C) Through a vent installed in a soffit (4).



When installing CS units into a row of cabinets or wall units; use these dimensions to achieve a custom look with the cabinetry while providing the necessary clearance for the top door hinge.

The appliance is designed to allow proper air flow when it is installed against the wall. Allow a minimum space of 1 1/2" (38mm) behind an upper cabinet when venting behind the cabinet.