

# SOFIA PROFESSIONAL 36"

36" DUAL FUEL PROFESSIONAL RANGE



CODE ID



**F6PDF366S1**



- Heavy Duty Grates
- Continuous Grate Surface
- Dual Crescendo Burner
- Dual Convection
- Soft Closing Door
- Self Clean Oven
- Multi-level cooking
- 1 Telescopic Rack
- Cool Touch Door
- Digital Controls
- Meat Probe
- Fast Pre-Heat

## COLOR KIT

|  |                       |
|--|-----------------------|
|  | STAINLESS STEEL       |
|  | MATTE BLACK RAL 9004  |
|  | GLOSSY BLACK RAL 9004 |
|  | GLOSSY RED RAL 3003   |
|  | GLOSSY WHITE RAL 9016 |
|  | MATTE GREY RAL 9007   |
|  | MATTE WHITE RAL 9016  |

## OPTIONAL ACCESSORIES

|              |                 |
|--------------|-----------------|
| PDRKIT36 ... | Colour kit      |
| FMWOK        | Wok ring        |
| FMSIM        | Simmer plate    |
| F6BG36BCI    | Island trim     |
| F6BG36STD    | Standard trim   |
| F6BG36HBT    | High back trim  |
| FMGRID36     | Griddle         |
| FMTRP36      | Telescopic rack |

## COOKING SURFACE

3 Heavy Duty, continuous cast iron grates  
One piece, matte finish porcelain burner bowl  
6 Dual-Flame Crescendo Burners  
2 X 20,000 BTU max (NG)  
4 X 18,000 BTU max (NG)  
Natural Gas (LP convertible)

## OVEN

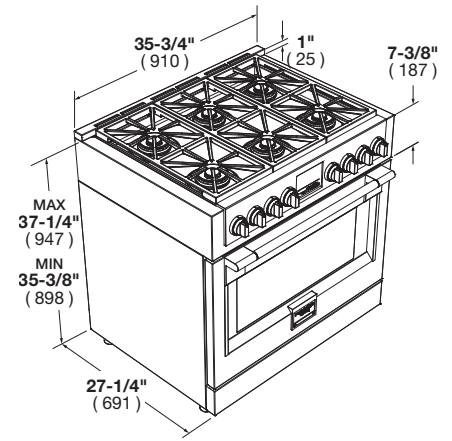
Dual True Convection  
Self-cleaning oven with Multifunction baking  
Black Porcelain enamel interior  
Cool to the touch, soft closing door  
Extra-large baking cavity and viewing area  
3 Halogen lights for flawless visibility  
Gross capacity 5.7 cu. ft.  
2 chromed racks  
1 telescopic rack  
Enameled Broiler Pan

## OVEN FUNCTIONS

Bake  
Broil  
Roast  
Convection  
True Convection  
Warm / Proof / Dehydrate  
Electronic cooking programmer  
Meat Probe  
Self-Clean  
Sabbath Mode

# SOFIA

36" DUAL FUEL PROFESSIONAL RANGE



| CODE ID                                    | F6PDF366S1 - 36" DUAL FUEL PROFESSIONAL RANGE           |                                         |                           |
|--------------------------------------------|---------------------------------------------------------|-----------------------------------------|---------------------------|
| Series and Finish                          | 600 Series - Professional Design - Stainless Steel      |                                         |                           |
| <b>CONTROL PANEL</b>                       |                                                         |                                         |                           |
| Control Type                               | 8 Heavy Duty Knobs                                      |                                         |                           |
| Oven Programming                           | Electronic with 6 Touch Keys                            |                                         |                           |
| Display: Clock - Temperature - Function    | White LED                                               |                                         |                           |
| Language                                   | English / French / Spanish                              |                                         |                           |
| <b>COOKTOP</b>                             |                                                         |                                         |                           |
| Type                                       | GAS (NG or LP)                                          |                                         |                           |
| Cooking Surface                            | Matte Black Enamel                                      |                                         |                           |
| <b>GAS COOKTOP FEATURES</b>                |                                                         |                                         |                           |
|                                            | Electric Re-ignition system                             | Top Mount Injectors                     | Dual Crown Brass Burner   |
|                                            | Flame-out sensing                                       | L.P. Conversion Kit                     |                           |
| Heavy Duty Cast Iron Grates                | 3                                                       |                                         |                           |
| Cooking Zones                              | 6                                                       |                                         |                           |
| Burners types                              | All Dual Flame/Simmer Burner                            |                                         |                           |
| Power Front-L,Front-R (Max/Min) NG         | 20000 (BTU/h) - 5900W / 750 (BTU/h) - 220W              |                                         |                           |
| Power Front-R (Max/Min) NG                 | -                                                       |                                         |                           |
| Power (Max/Min) NG                         | 18000 (BTU/h) - 5300W / 750 (BTU/h) - 220W              |                                         |                           |
| Power (Max/Min) LP                         | 15000 (BTU/h) - 4400W / 750 (BTU/h) - 220W              |                                         |                           |
| <b>OVEN</b>                                |                                                         |                                         |                           |
| Type                                       | Electric Self-clean - Dual Convection (True Euro Conv.) |                                         |                           |
| Temperature Regulation                     | Electronic Control (min/max 170/550°F - 75/290°C)       |                                         |                           |
| <b>OVEN FUNCTIONS</b>                      |                                                         |                                         |                           |
|                                            | Pyrolytic Self-Clean                                    | Pizza (Lower Convection)                | Proof (Warm)              |
|                                            | True Convection                                         | Bake                                    | Keep warm (Warm Plus)     |
|                                            | Convection Broil                                        | Dehydrate                               | Oven Lights               |
|                                            | Convection Roast                                        | Thaw (Defrost)                          | Broil                     |
| <b>ELECTRIC OVEN FEATURES</b>              |                                                         |                                         |                           |
|                                            | Preset/Last Used Temperature Memory                     | Preheat Indicator (25%, 50%, 75%, 100%) | Control Display Lock      |
|                                            | Child Door Lock                                         | Sabbath Mode                            | 12/24 Hour Clock Formats  |
|                                            | Fast Preheat                                            | Meat Probe                              | Temperature Display °C/°F |
| <b>OVEN DOOR(S)</b>                        |                                                         |                                         |                           |
| Oven Glass Window                          | Deep Embossed Extra Wide Window                         |                                         |                           |
| Door Cooling System                        | 4 Heat Resistant Glasses                                |                                         |                           |
| Door Hinges - Soft-closing System          | Heavy Duty Steady Tilt                                  |                                         |                           |
| Handle Style                               | Stainless Steel Tube with Metal End caps                |                                         |                           |
| <b>OVEN CAVITY</b>                         |                                                         |                                         |                           |
| Gross Capacity (cbft)                      | 5.7                                                     |                                         |                           |
| Usable Capacity (cbft)                     | 4.9                                                     |                                         |                           |
| Cavity Enamel Colour                       | Black                                                   |                                         |                           |
| Rack Positions                             | 6                                                       |                                         |                           |
| Oven Lights                                | 3x20W Halogen                                           |                                         |                           |
| <b>HEATING ELEMENTS (@240V)</b>            |                                                         |                                         |                           |
| Broil Upper Heating Element                | 3500 W                                                  |                                         |                           |
| Upper Auxiliary Element                    | 1032 W                                                  |                                         |                           |
| Concealed Bake Lower Heating Element       | 3000 W                                                  |                                         |                           |
| Convection Element                         | 2 x 1300 W                                              |                                         |                           |
| <b>OVEN ACCESSORIES</b>                    |                                                         |                                         |                           |
| Chromed Racks                              | 2                                                       |                                         |                           |
| Enameled Broiler Pan (basin + anti splash) | 1                                                       |                                         |                           |
| Telescopic Chromed Rack                    | 1                                                       |                                         |                           |
| <b>DIMENSIONS/WEIGHT</b>                   |                                                         |                                         |                           |
| Overall dim - Width                        | 35 - 3/4"                                               | (910 mm)                                |                           |
| Overall dim - Height (min - max)           | 36 3/8", 38 1/4"                                        | (923 mm) - (972 mm)                     |                           |
| Overall dim - Depth                        | 29 - 3/4"                                               | (756 mm)                                |                           |
| Gross Weight                               | 382 lbs                                                 | (174 kg)                                |                           |
| <b>POWER / RATINGS (208/240 V, 60 HZ)</b>  |                                                         |                                         |                           |
| kW / Amps rating at 120-240V, 60Hz         | 3.84 kW - 16.9A                                         |                                         |                           |
| kW / Amps rating at 120-208V, 60Hz         | 3.54 kW - 17.5A                                         |                                         |                           |
| Power Cable                                | Nema 14-50P                                             |                                         |                           |
| <b>INSTRUCTIONS FOR USE</b>                |                                                         |                                         |                           |
| Use & Care Manual / Installation Manual    | English / French / Spanish                              |                                         |                           |