





Column Refrigerators:
Page 3 30" Models
Page 14 24" Models

Column Freezers:
Page 25 30" Models
Page 36 24" Models
Page 47 18" Models

The NEW Refrigerator Column has been designed to offer exceptional food preservation, maximum storage & unmatched options for kitchen design and flexibility. With industry-leading capacity these integrated columns are perfect for every home kitchen.

PRODUCT FEATURES:

- Industry-leading 17.44 cu. ft. capacity
- Stainless steel & glass interiors
- Available in panel-ready, pro-style stainless steel or your choice of 1,000+ colors, all with flush installation
- Advanced temperature control for longer food preservation
- Touch screen control with Sabbath & Shopping modes
- Extra-bright LED lighting
- Fully extending crisper drawers
- Slide-out tray that fits sheet pan
- Iron Clad Warranty: 2 years (full), 5 years (sealed system parts & labor) and 13 years (sealed system parts)
- Side by side kits included with all freezer models. Kits for side by side refrigerators available separately

CONFIGURATIONS:

Right Swing Models:

BIRP30R0	Panel Ready
BIR30R0	Stainless Steel Standard Trim
BIR30R0PLT	Stainless Steel Plated Trim
BIR30R0C	Standard RAL Color Standard Trim
BIR30R0CPLT	Standard RAL Color Plated Trim
BIR30R0CF	Specialty Finish Standard Trim
BIR30R0CFPLT	Speciality Finish Plated Trim
BIR30R0CC	Custom Color Standard Trim
BIR30R0CCPLT	Custom Color Plated Trim



Model: BIRP30R0

Model: BIR30R0

Model: BIR30R0CPLT

SPECIFICATIONS:

Dimensions:

- Standard Door: 83 1/2"H x 29 3/8"W x 25 1/4"D
- Panel Ready: 83 1/2"H x 29 3/8"W x 24 1/4"D

* Overall depth does not include panel depth

* Width includes connector brackets

Electrical Requirements: 115V, 60Hz, 15 AMP Circuit

(Unit must be on a Non-GFI, dedicated outlet)

Unit Capacity: 17.44 cu. ft.

Weight: 445 lbs.

Left Swing Models:

BIRP30L0	Panel Ready
BIR30L0	Stainless Steel Standard Trim
BIR30L0PLT	Stainless Steel Plated Trim
BIR30L0C	Standard RAL Color Standard Trim
BIR30L0CPLT	Standard RAL Color Plated Trim
BIR30L0CF	Specialty Finish Standard Trim
BIR30L0CFPLT	Speciality Finish Plated Trim
BIR30L0CC	Custom Color Standard Trim
BIR30L0CCPLT	Custom Color Plated Trim

INSTALLATION DIMENSIONS: PANEL READY MODELS

- (A) Recommended cut-out height 83 1/2" - 84"
- (B) Dimensions shown are with rollers in minimum position as shipped.
Unit can be raised 1" max.
- (C) Cut-out must have a finished return of at least 3 1/2" from the front.

Notes:

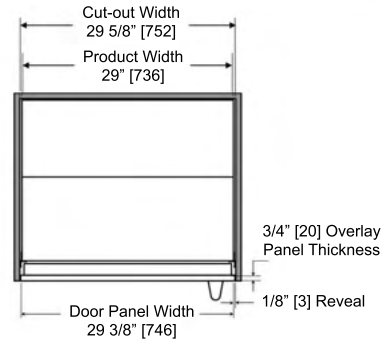
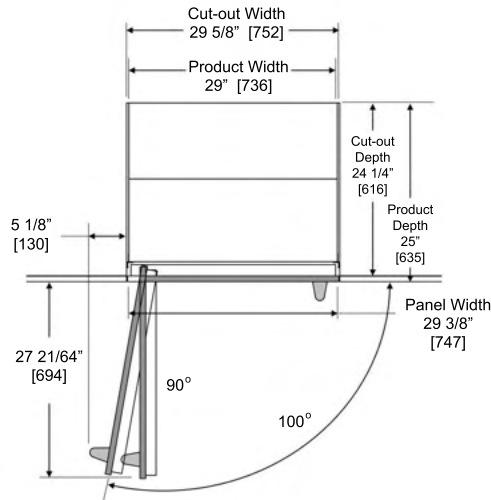
- Dimensions shown in [] are in millimeters.
- Product depth does not include 3/4" custom panel depth
- Cut-out dimensions are for frameless cabinet installations. Refer to column refrigeration design guide for face frame cabinet cut-out dimensions.

Installation Dimensions:

30" Panel Ready Refrigerator - Left Swing

Applicable Models:

- BIRP30L0

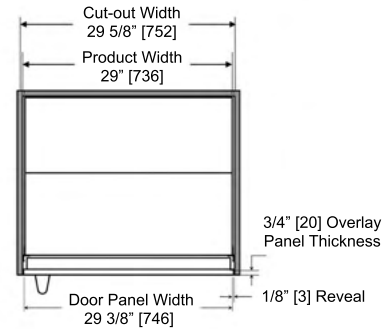
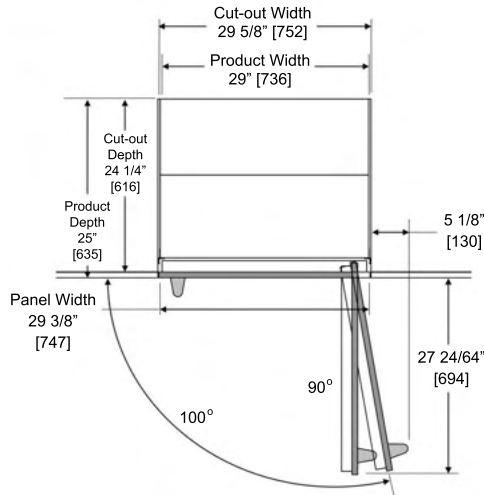


Installation Dimensions:

30" Panel Ready Refrigerator - Right Swing

Applicable Models:

- BIRP30R0



Installation Dimensions:

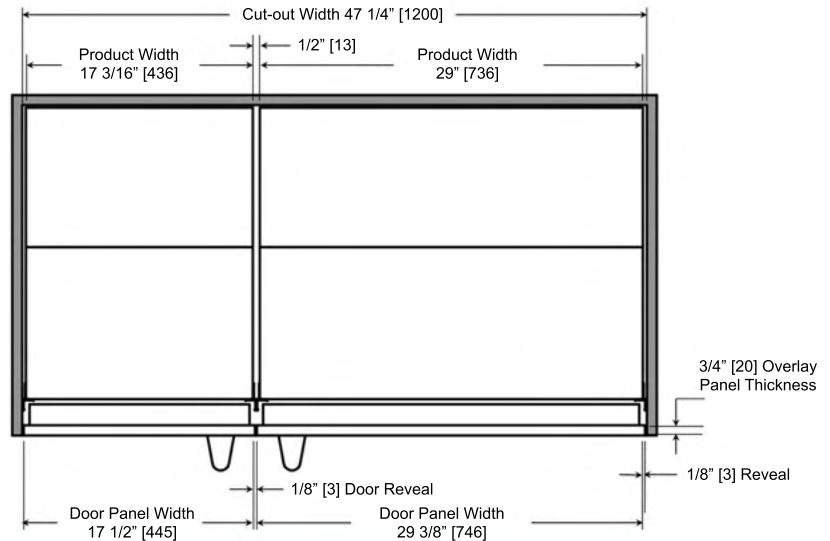
**30" Panel Ready Refrigerator
& 18" Panel Ready Freezer**

Applicable Models:

- BIRP30
- BIFP18

Dimensions apply to the following model combinations:

- 18" Unit Left Hinge and 30" Unit Right Hinge
- 30" Unit Left Hinge and 18" Unit Right Hinge



INSTALLATION DIMENSIONS: PANEL READY MODELS

- (A) Recommended cut-out height 83 1/2" - 84"
- (B) Dimensions shown are with rollers in minimum position as shipped.
Unit can be raised 1" max.
- (C) Cut-out must have a finished return of at least 3 1/2" from the front.

Notes:

- Dimensions shown in [] are in millimeters.
- Cut-out dimensions are for frameless cabinet installations. Refer to column refrigeration design guide for face frame cabinet cut-out dimensions.

Installation Dimensions:

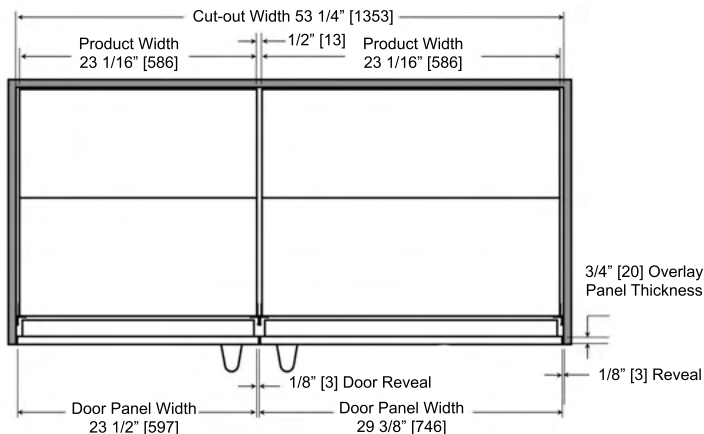
**30" Panel Ready Refrigerator
& 24" Panel Ready Freezer**

Applicable Models:

- BIRP30
- BIFP24

Dimensions apply to the following model combinations:

- 24" Unit Left Hinge and 30" Unit Right Hinge
- 30" Unit Left Hinge and 24" Unit Right Hinge



Installation Dimensions:

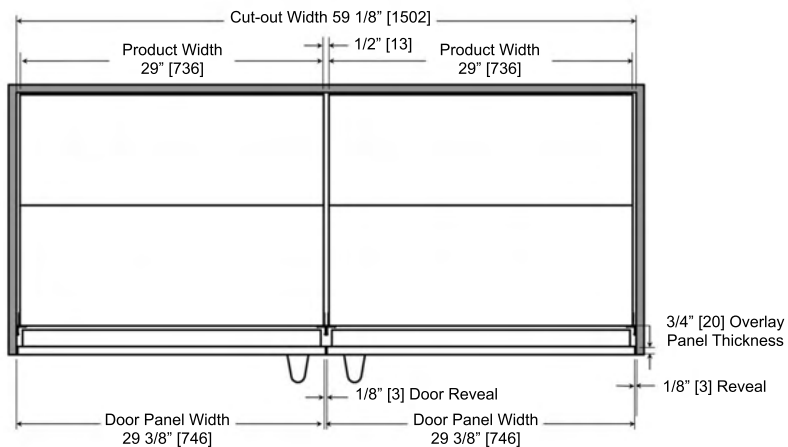
**30" Panel Ready Refrigerator
& 30" Panel Ready Freezer**

Applicable Models:

- BIRP30
- BIFP30

Dimensions apply to the following model combinations:

- 30" Unit Left Hinge and 30" Unit Right Hinge
- 30" Unit Left Hinge and 30" Unit Right Hinge

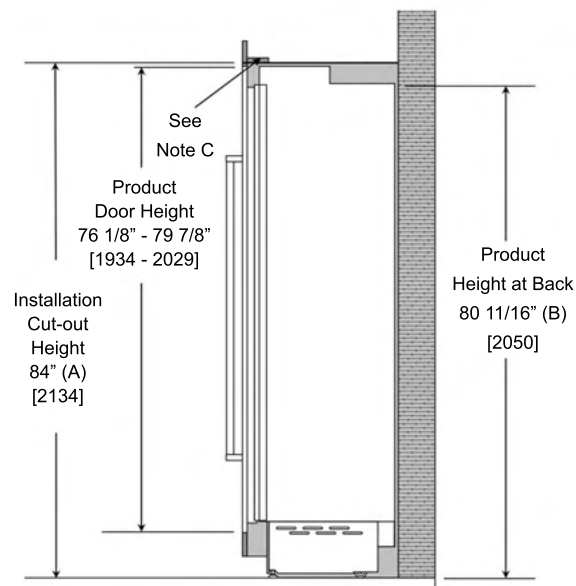


Installation Dimensions:

18", 24" & 30" Models with Panel Ready Door

Notes: Dimensions shown in [] are in millimeters

- (A) Recommended cut-out height 83 1/2" - 84"
- (B) Dimensions shown are with rollers in minimum position as shipped.
Units can be raised 1" max.
- (C) Cut-out must have a finished return of at least 3 1/2" from the front.



INSTALLATION DIMENSIONS: STANDARD DOOR MODELS

- (A) Cut-out must have a finished return of at least 3 1/2" from the front
- (B) Standard Door Installation: Cut-out must be a minimum depth of 25 3/8" [645] for a flush door installation. Cut-out must be minimum depth of 23 1/4" [591] to cover the sides of the unit.

Notes:

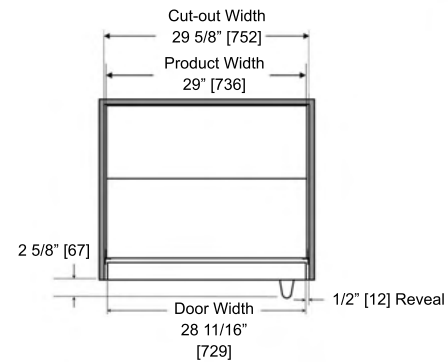
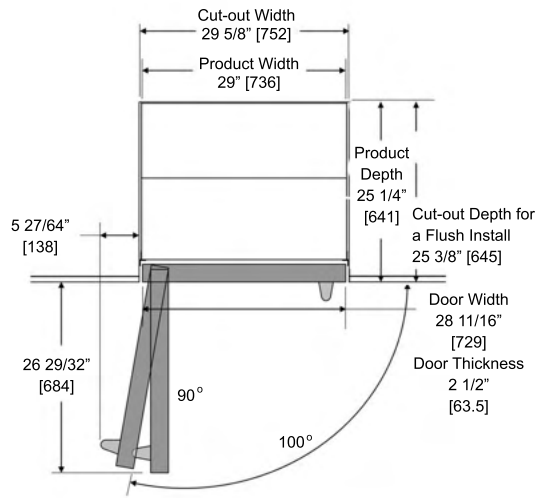
- Except where noted, dimensions shown are from cut-out to refrigerator.
- Dimensions shown in [] are in millimeters.
- Cut-out dimensions are for frameless cabinet installations. Refer to column refrigeration design guide for face frame cabinet cut-out dimensions.

Installation Dimensions:

30" Refrigerator - Left Swing

Applicable Models:

- All BIR30L0 Models

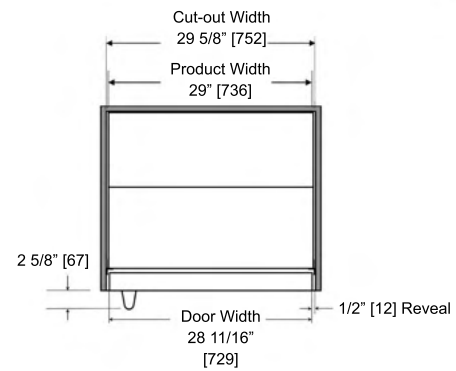
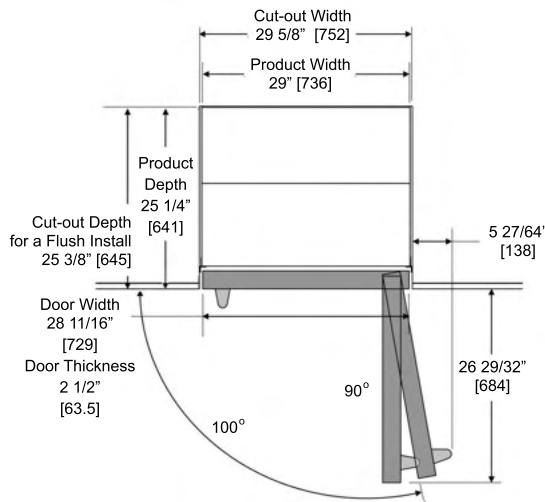


Installation Dimensions:

30" Refrigerator - Right Swing

Applicable Models:

- All BIR30R0 Models



Installation Dimensions:

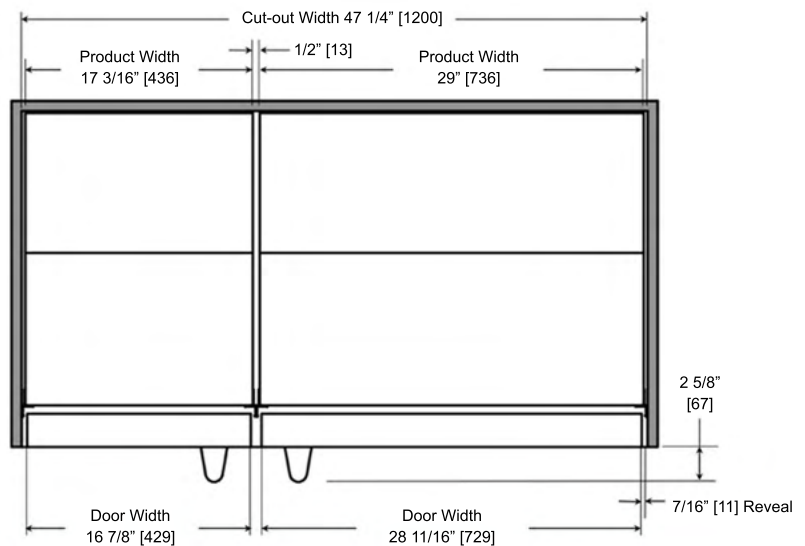
30" Refrigerator & 18" Freezer

Applicable Models:

- All BIR30 Models
- All BIF18 Models

Dimensions apply to the following model combinations:

- 18" Unit Left Hinge and 30" Unit Right Hinge
- 30" Unit Left Hinge and 18" Unit Right Hinge



INSTALLATION DIMENSIONS: STANDARD DOOR MODELS

- (A) Cut-out must have a finished return of at least 3 1/2" from the front
- (B) Standard Door Installation: Cut-out must be a minimum depth of 25 3/8" [645] for a flush door installation. Cut-out must be minimum depth of 23 1/4" [591] to cover the sides of the unit.

Notes:

- Except where noted, dimensions shown are from cut-out to refrigerator.
- Dimensions shown in [] are in millimeters.
- Cut-out dimensions are for frameless cabinet installations. Refer to column refrigeration design guide for face frame cabinet cut-out dimensions.

Installation Dimensions:

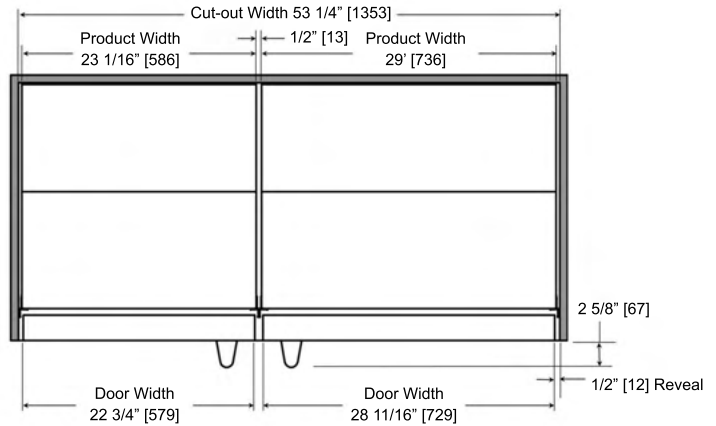
30" Refrigerator & 24" Freezer

Applicable Models:

- All BIR30 Models
- All BIF24 Models

Dimensions apply to the following model combinations:

- 24" Unit Left Hinge and 30" Unit Right Hinge
- 30" Unit Left Hinge and 24" Unit Right Hinge



Installation Dimensions:

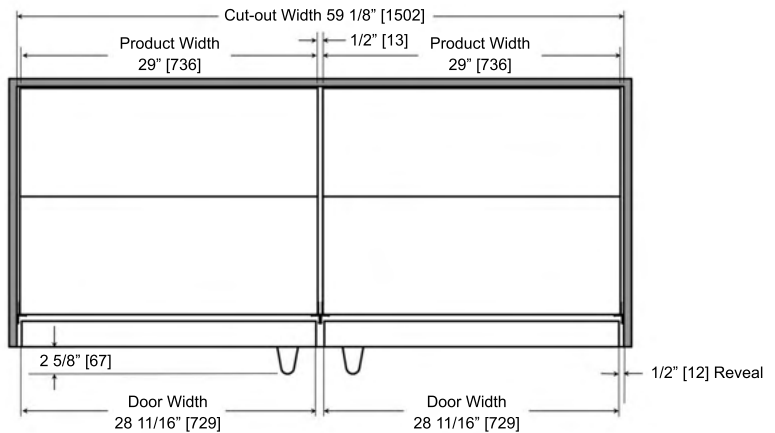
30" Refrigerator & 30" Freezer

Applicable Models:

- All BIR30 Models
- All BIF30 Models

Dimensions apply to the following model combinations:

- 30" Unit Left Hinge and 30" Unit Right Hinge
- 30" Unit Left Hinge and 30" Unit Right Hinge

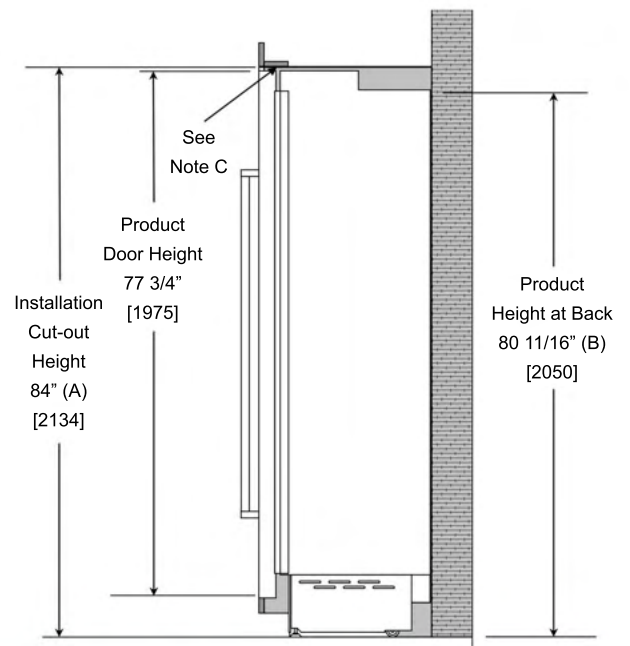


Installation Dimensions:

18", 24" & 30" Models with Standard Door

Notes: Dimensions shown in [] are in millimeters

- (A) Recommended cut-out height 83 1/2" - 84"
- (B) Dimensions shown are with rollers in minimum position as shipped. Units can be raised 1" max.
- (C) Cut-out must have a finished return of at least 3 1/2" from the front.



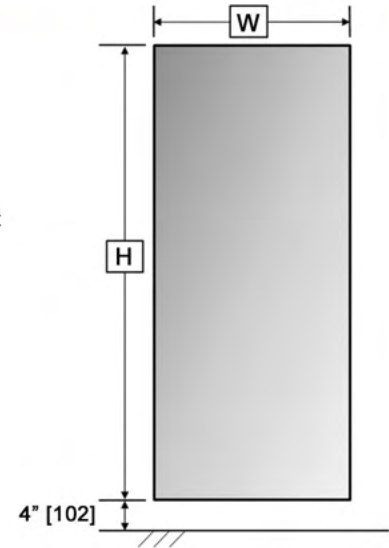
PANEL & TOEKICK DETAIL: PANEL READY MODELS

PANEL DETAIL:

Each panel-ready BlueStar Column appliance is designed to be equipped with a decorative door panel. The table below illustrates the dimensions to be used as a guide in creating custom panels. At 79 7/8" (2029 mm) tall, they are designed for a toekick height of 4" (102 mm), and a total cutout height of 84" (2134 mm) yielding 1/8" (3 mm) reveals. At 3/4" (19 mm) deep, they are designed to attach to the 24 1/4" (616 mm) deep appliance for an overall depth of 25" (635 mm). Maximum allowed panel thickness is 1-1/8" (29 mm).

If the cabinet panels to be installed on panel ready units are of a rail and stile panel design, the location of mounting bracket hardware must still be 3/4" thick. A minimum vertical stile width of 3" on either side edge of the panel is recommended.

Description	H	W (1)	W (2)	Max. Panel Weight
30" Single Column	79 7/8" [2029]	29 3/8" [746]		75 lb each (34 kg)
18" & 30" Joined Columns	79 7/8" [2029]	17 1/2" [445]	29 3/8" [746]	75 lb each (34 kg)
24" & 30" Joined Columns	79 7/8" [2029]	23 1/2" [597]	29 3/8" [746]	75 lb each (34 kg)
30" & 30" Joined Columns	79 7/8" [2029]	29 3/8" [746]	29 3/8" [746]	75 lb each (34 kg)



TOE KICK GRILL:

A forced air system assures ventilation through a grill positioned in the lower front part of the unit. Each BlueStar Column comes with a 8-1/2" (216 mm) high stainless steel grill. A custom-made toe kick that matches the surrounding cabinetry may be applied instead. It must be designed to maintain a satisfactory air flow, as described in the drawing below.

Important:

Please recall that a panel should be installed at a minimum height of 4" (102 mm) from the floor to allow proper ventilation of the appliance. If required by the surrounding cabinetry design, the distance between the bottom edge of the door panel and the floor can be increased from approx. 4" (102 mm) up to 7-3/4" (197 mm) but should not be decreased. The minimum height of the custom door panel on the refrigerator above must be 76 1/8" high in order to conceal the actual door of the unit.

If using a custom Toe Kick Grill, the Toe Kick Grill must allow for a minimum open area of at least 50% of the area defined by the dimensions "A" / "E" and "B" below. The custom Toe Kick Grill may be attached using a fastening method deemed appropriate by the cabinet manufacturer/installer. Note: The Toe Kick Grill must provide adequate airflow as outlined above in order to ensure proper functionality of the appliance. It is imperative that the Toe Kick Grill remain unblocked to ensure proper functionality of the appliance and should be removable to allow for servicing and condenser cleaning.

	Figure 1	Figure 2		
	30"	30" + 18"	30" + 24"	30" + 30"
A	27 15/16" [710]	16 1/8" [410]	22" [559]	27 15/16" [710]
B	> 4" [100]			
C	3/8" [10]			
D	29 3/8" [747]	47" [1194]	53" [1346]	58 7/8" [1495]
E		22" [559]	27 15/16" [710]	27 15/16" [710]

Figure 1

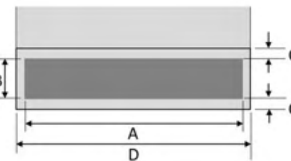
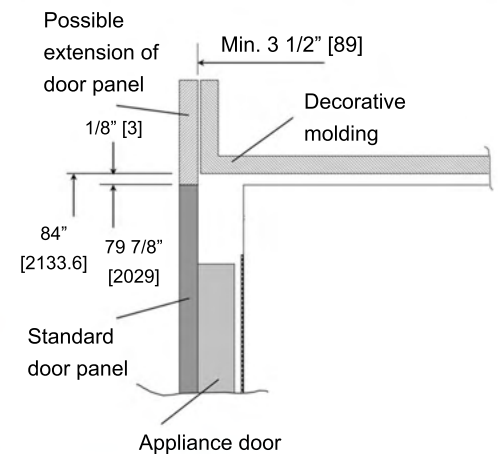
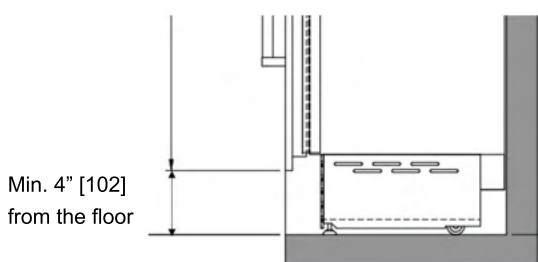
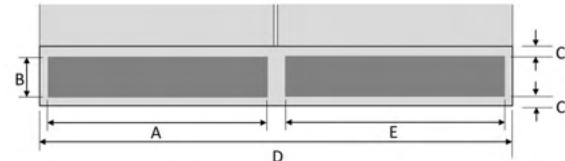


Figure 2

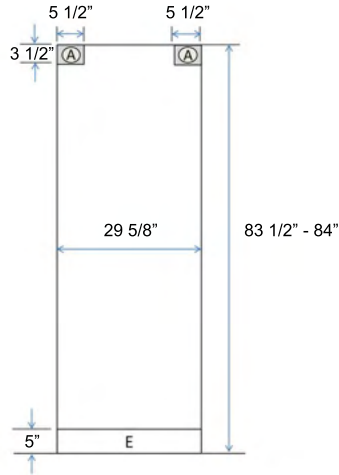


SITE PREPARATION GUIDE

- Electrical:** The electrical outlet should be located in the area marked "E" and must be on a dedicated non-GFI 115V, 60Hz, 15 Amp circuit and accept a three-prong grounding plug.
- Plumbing:** The water line should be located in the area marked "W". Connect the water line to the house water supply with an easily accessible shut-off valve.
- Mounting:** "A" equals area to be left clear for anti-tip brackets. In addition, the plastic connecting brackets must be screwed to the cabinets all provided attachment points.

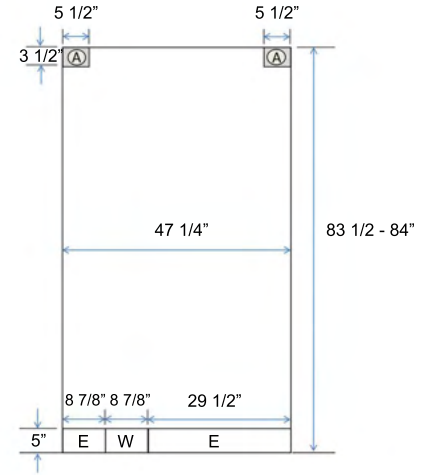
30" Column Refrigerator

- Model(s):
 - BIR30 models
 - BIRP30 models



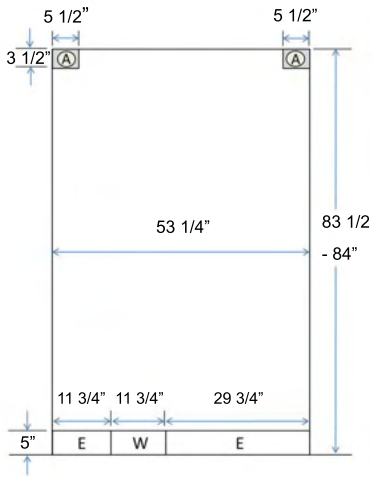
30" Column Refrigerator & 18" Column Freezer

- Model(s):
 - BIR30 models
 - BIRP30 models
 - BIF18 models
 - BIFP18 models



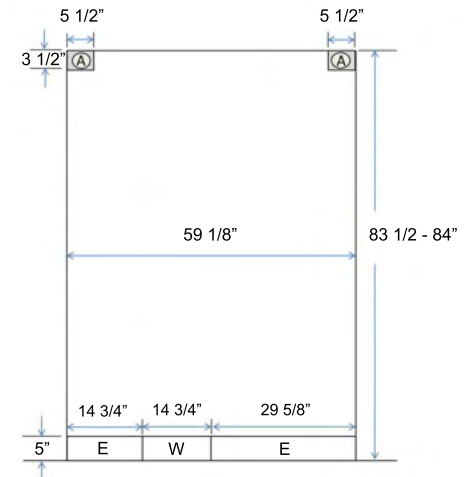
30" Column Refrigerator & 24" Column Freezer

- Model(s):
 - BIR30 models
 - BIRP30 models
 - BIF24 models
 - BIFP24 models

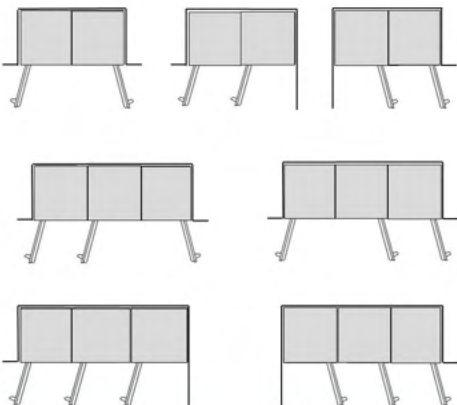


30" Column Refrigerator & 30" Column Freezer

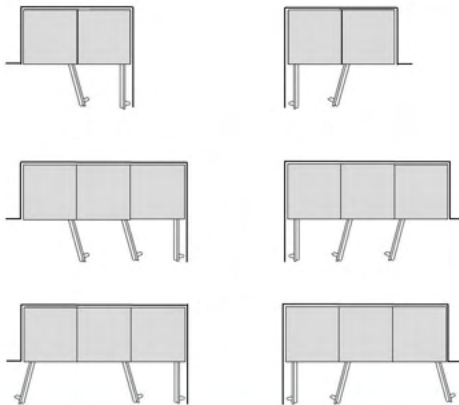
- Model(s):
 - BIR30 models
 - BIRP30 models
 - BIF30 models
 - BIFP30 models



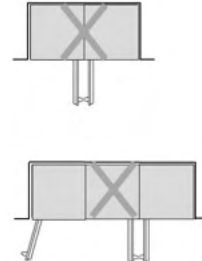
Recommended Installations for Standard Door Swing:

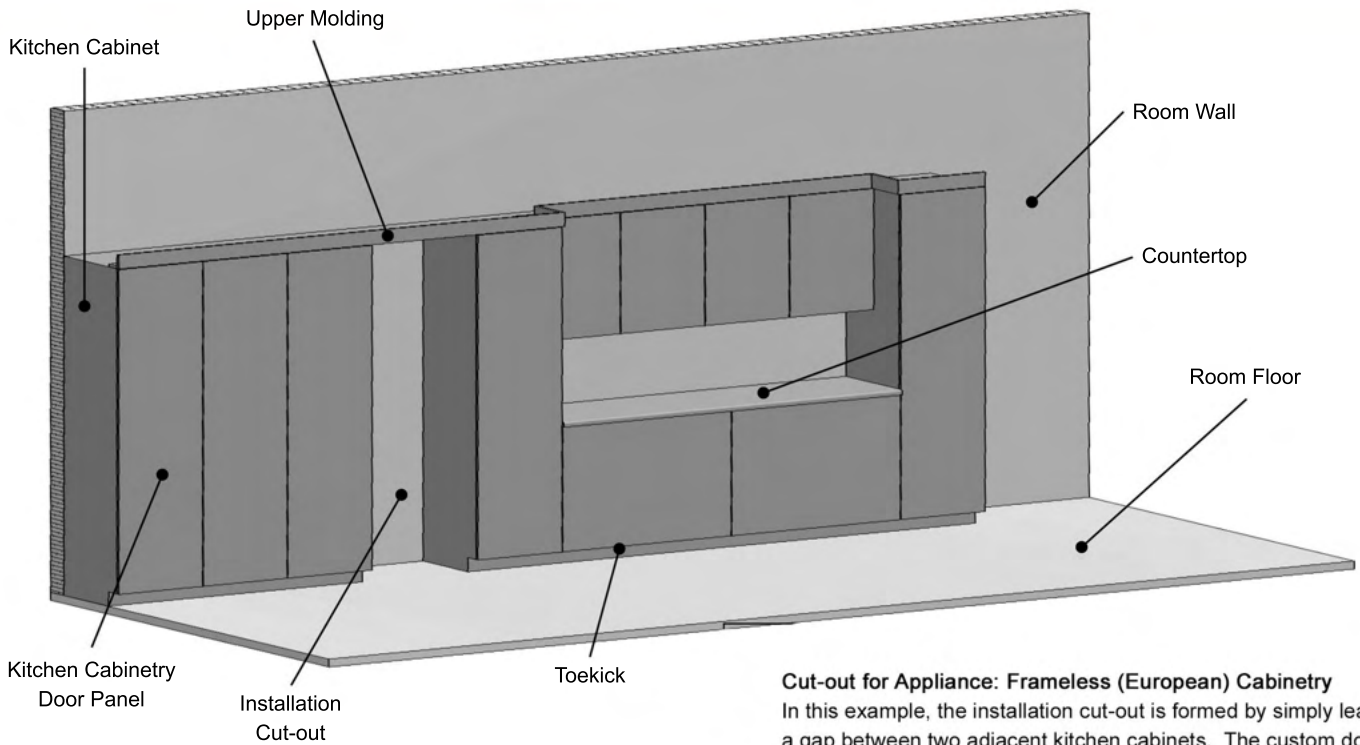


Recommended Installations Requiring 90 Degree Hinges:



Not Recommended Installations:

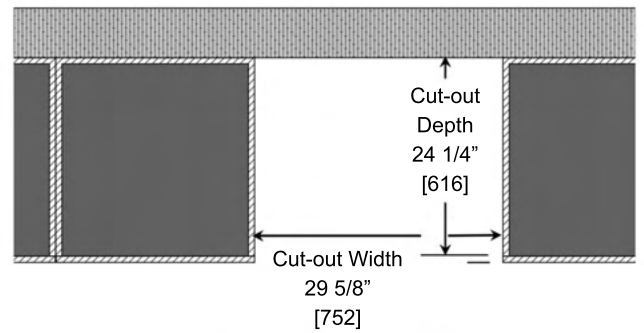
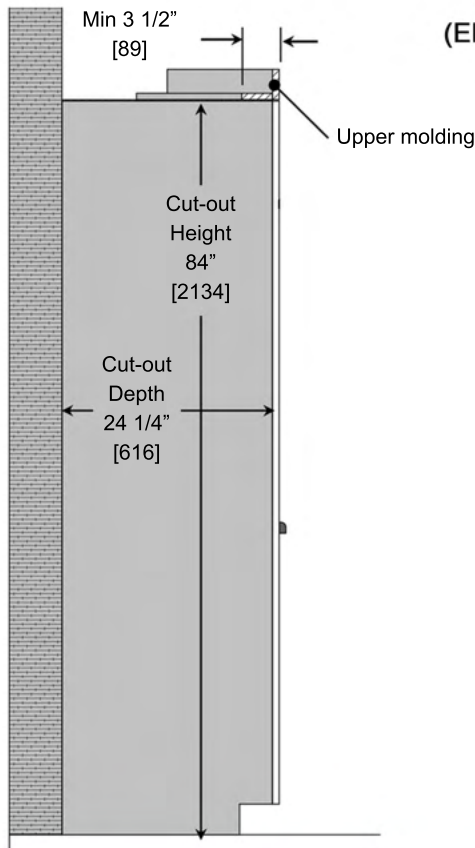




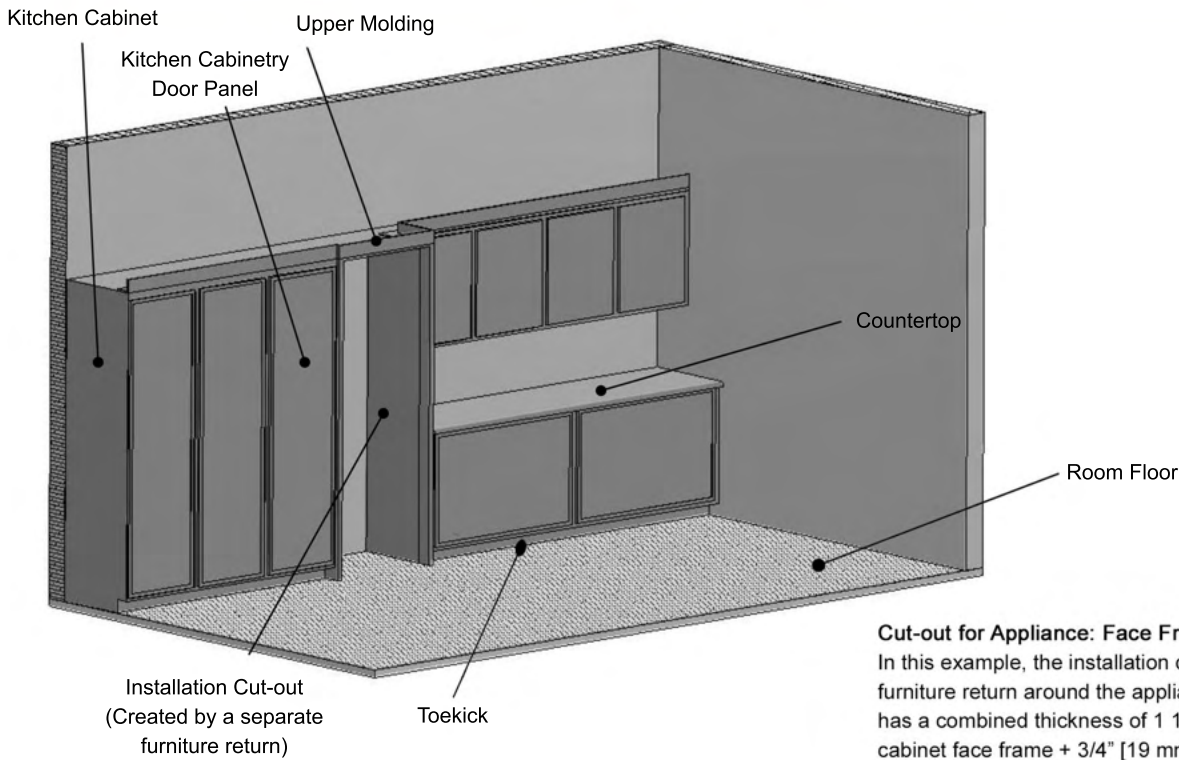
Cut-out for Appliance: Frameless (European) Cabinetry
 In this example, the installation cut-out is formed by simply leaving a gap between two adjacent kitchen cabinets. The custom door panel 3/4" [19 mm] will be identical in appearance and thickness to the surrounding kitchen cabinetry panels.

- Cut-out (case) depth is 24 1/4" [616 mm] - does not include door panel
- Top and side walls of cut-out interior are completely flush, made of solid material and at least 3 1/2" [89 mm] deep.

**Installation Cut-out
 (Elevation Section View)**



**Installation Cut-out
 (Plan View)**

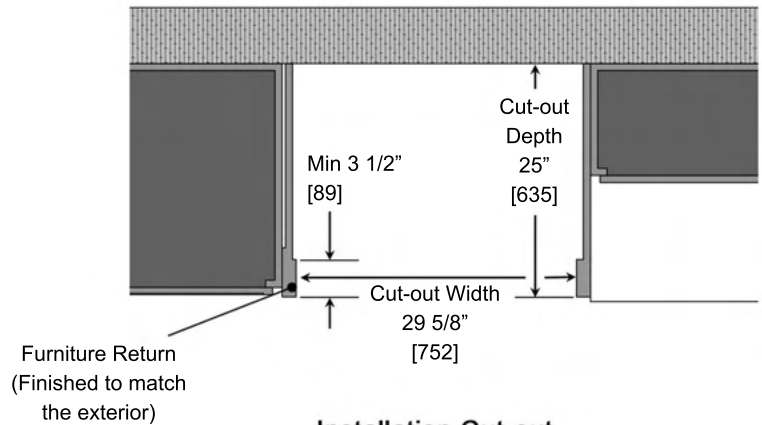
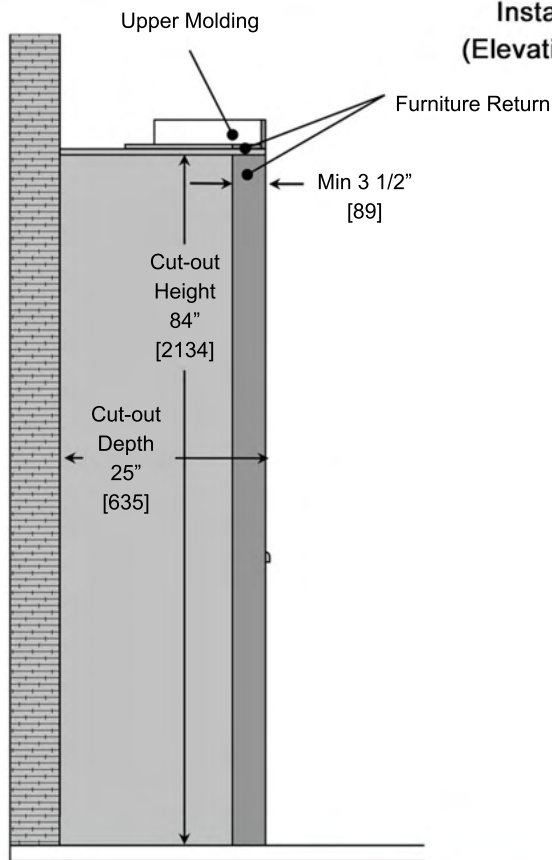


Cut-out for Appliance: Face Frame Cabinetry

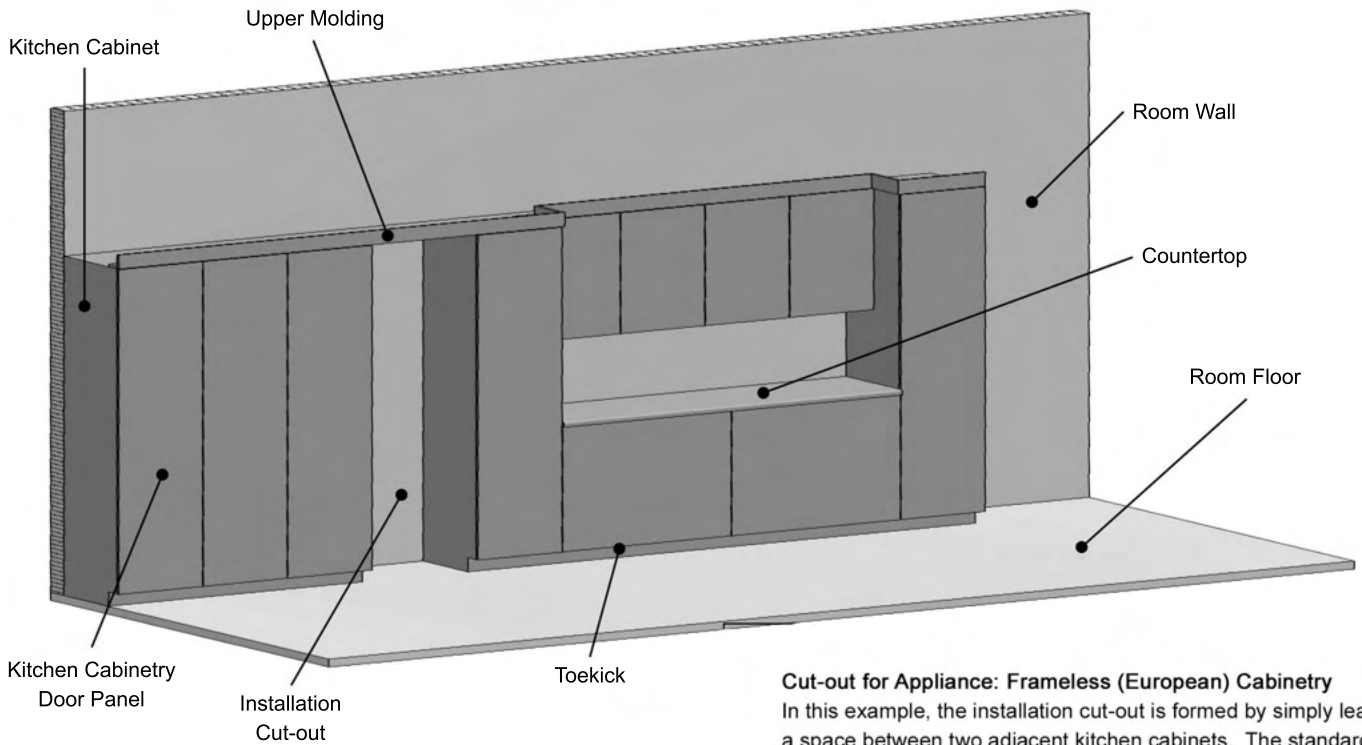
In this example, the installation cut-out is formed by creating a separate furniture return around the appliances. The kitchen cabinet door panel has a combined thickness of 1 1/2" [38 mm], 3/4" [19 mm] emulating the cabinet face frame + 3/4" [19 mm] for the actual door panel. A 25" [635 mm] deep installation cut-out is required.

- Cut-out (case) depth is 25" [635 mm] due to 1 1/2" [38 mm] combined kitchen cabinet face frame panel & cabinet door thickness.
- Any furniture return must be at least 3 1/2" [89 mm] deep, on interior top and sides, of solid material and should be finished to match exterior.

Installation Cut-out (Elevation Section View)



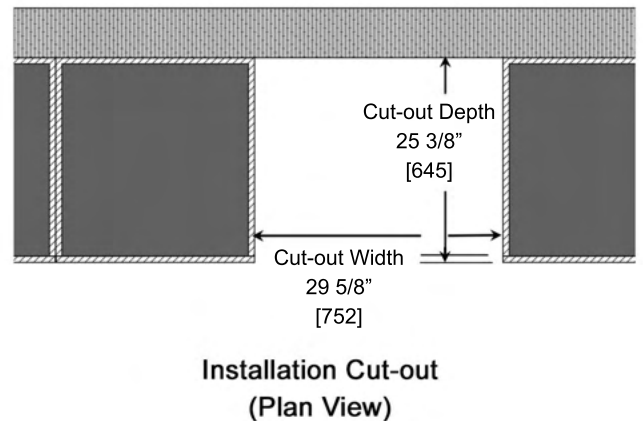
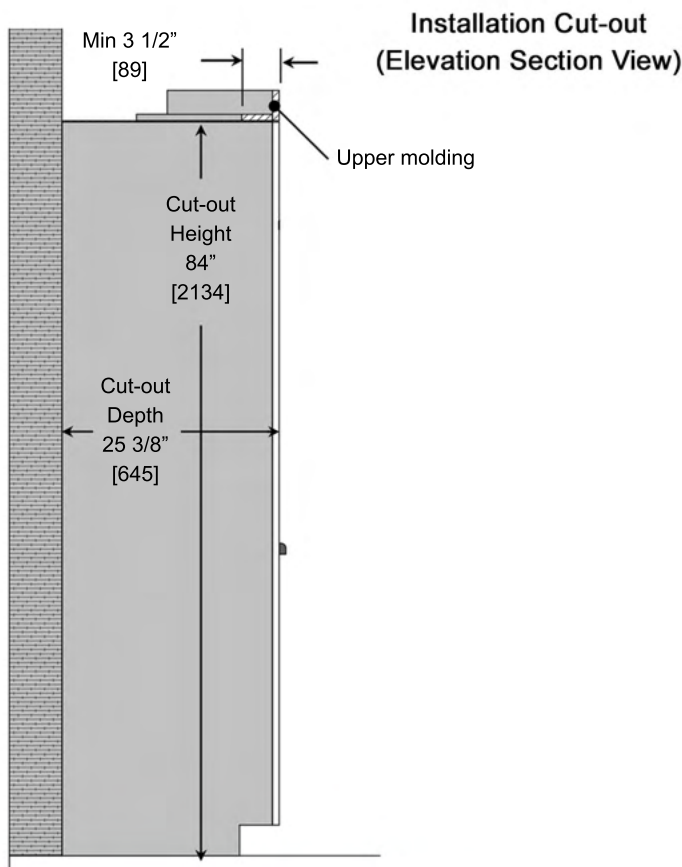
Installation Cut-out (Plan View)

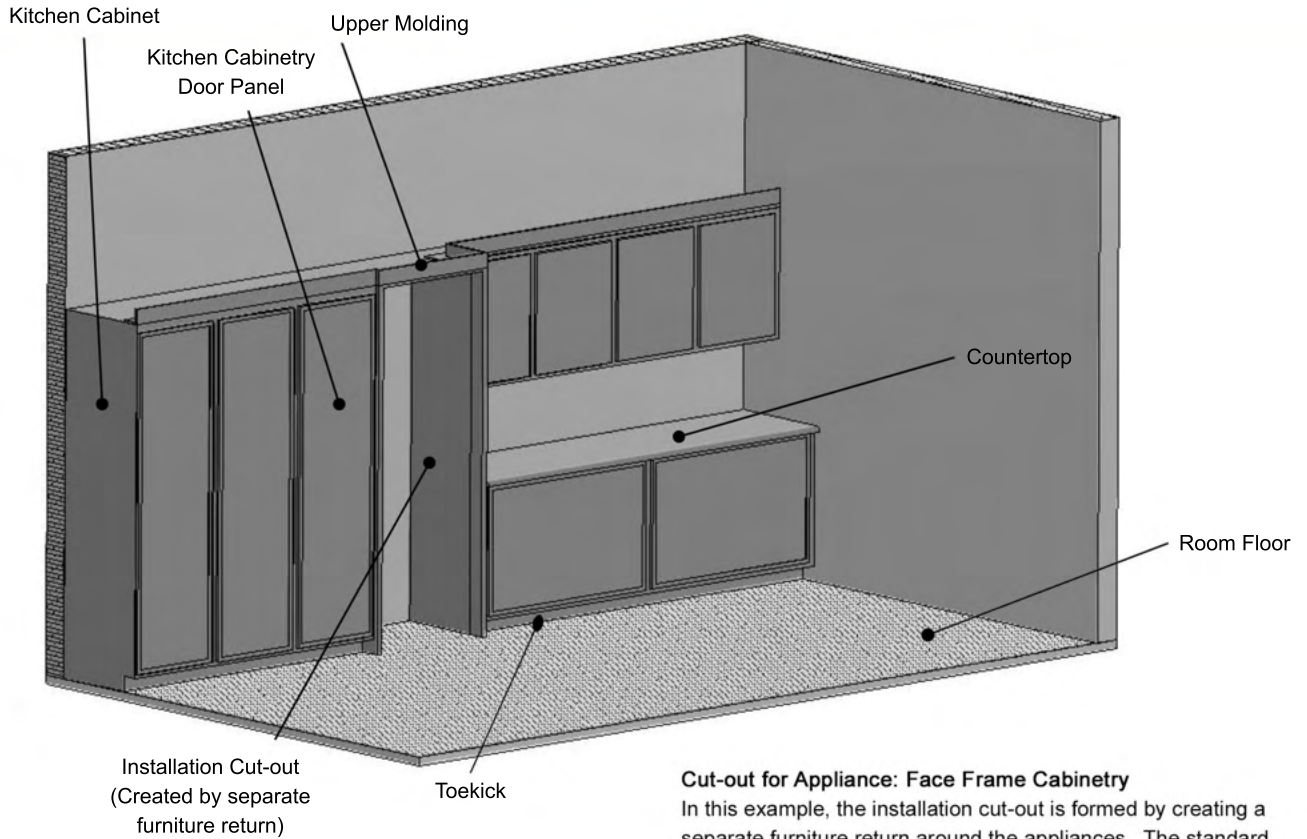


Cut-out for Appliance: Frameless (European) Cabinetry

In this example, the installation cut-out is formed by simply leaving a space between two adjacent kitchen cabinets. The standard door panel requires a 25 3/8" installation cut-out depth for a flush install.

- Top and side walls of cut-out interior should be completely flush, made of solid material and finished to a depth of at least 3 1/2" from the front edge.

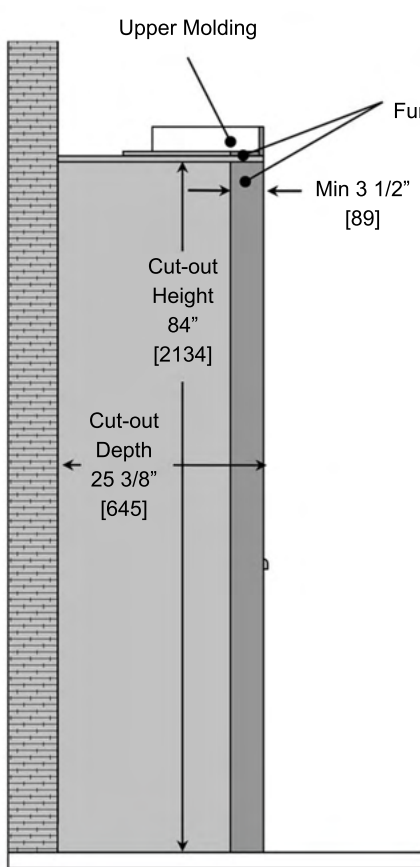




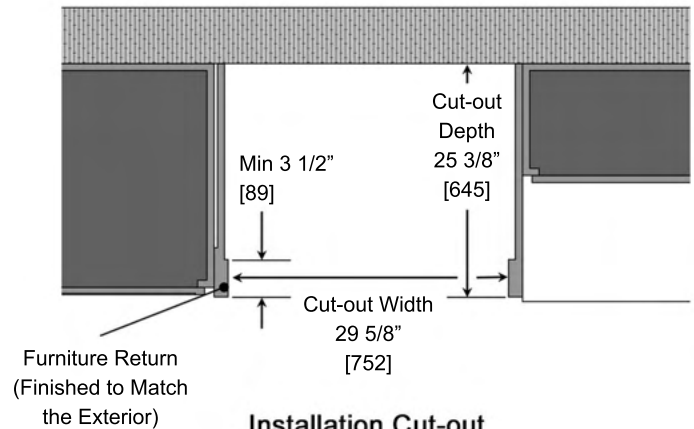
Cut-out for Appliance: Face Frame Cabinetry

In this example, the installation cut-out is formed by creating a separate furniture return around the appliances. The standard door panel requires a 25 3/8" installation cut-out depth for a flush fit.

- Top and side walls of cut-out interior are completely flush, made of solid material and at least 3 1/2" [89 mm] deep.



Installation Cut-out (Elevation Section View)



Installation Cut-out (Plan View)

The NEW Refrigerator Column has been designed to offer exceptional food preservation, maximum storage & unmatched options for kitchen design and flexibility. With industry-leading capacity these integrated columns are perfect for every home kitchen.

PRODUCT FEATURES:

- Over-sized 12.99 cu. ft. capacity
- Stainless steel & glass interiors
- Available in panel-ready, pro-style stainless steel or your choice of 1,000+ colors, all with flush installation
- Advanced temperature control for longer food preservation
- Touch screen control with Sabbath & Shopping modes
- Extra-bright LED lighting
- Fully extending crisper drawers
- Slide-out tray that fits sheet pan
- Iron Clad Warranty: 2 years (full), 5 years (sealed system parts & labor) and 13 years (sealed system parts)
- Side by side kits included with all freezer models. Kits for side by side refrigerators available separately

CONFIGURATIONS:

Right Swing Models:

BIRP24R0	Panel Ready
BIR24R0	Stainless Steel Standard Trim
BIR24R0PLT	Stainless Steel Plated Trim
BIR24R0C	Standard RAL Color Standard Trim
BIR24R0CPLT	Standard RAL Color Plated Trim
BIR24R0CF	Specialty Finish Standard Trim
BIR24R0CFPLT	Speciality Finish Plated Trim
BIR24R0CC	Custom Color Standard Trim
BIR24R0CCPLT	Custom Color Plated Trim



Model: BIRP24R0



Model: BIR24R0



Model: BIR24R0CPLT

SPECIFICATIONS:

Dimensions:

- Standard Door: 83 1/2"H x 23 5/8"W x 25 1/4"D
- Panel Ready: 83 1/2"H x 23 5/8"W x 24 1/4"D

* Overall depth does not include panel depth

* Width includes connector brackets

Electrical Requirements: 115V, 60Hz, 15 AMP Circuit

(Unit must be on a Non-GFI, dedicated outlet)

Unit Capacity: 12.99 cu. ft.

Weight: 364 lbs.

Left Swing Models:

BIRP24L0	Panel Ready
BIR24L0	Stainless Steel Standard Trim
BIR24L0PLT	Stainless Steel Plated Trim
BIR24L0C	Standard RAL Color Standard Trim
BIR24L0CPLT	Standard RAL Color Plated Trim
BIR24L0CF	Specialty Finish Standard Trim
BIR24L0CFPLT	Speciality Finish Plated Trim
BIR24L0CC	Custom Color Standard Trim
BIR24L0CCPLT	Custom Color Plated Trim

INSTALLATION DIMENSIONS: PANEL READY MODELS

- (A) Recommended cut-out height 83 1/2" - 84"
- (B) Dimensions shown are with rollers in minimum position as shipped.
Unit can be raised 1" max.
- (C) Cut-out must have a finished return of at least 3 1/2" from the front.

Notes:

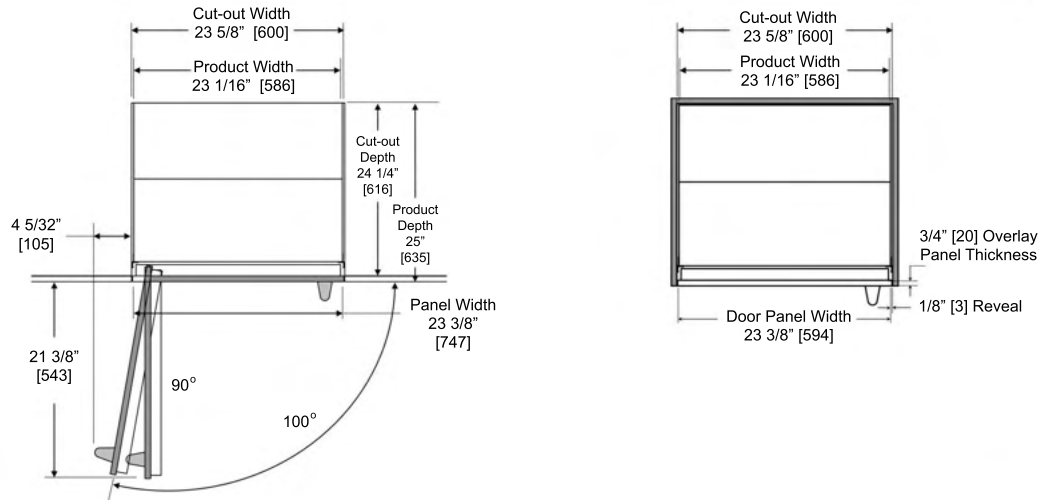
- Dimensions shown in [] are in millimeters.
- Product depth does not include 3/4" custom panel depth
- Cut-out dimensions are for frameless cabinet installations. Refer to column refrigeration design guide for face frame cabinet cut-out dimensions.

Installation Dimensions:

24" Panel Ready Refrigerator - Left Swing

Applicable Models:

- BIRP24L0

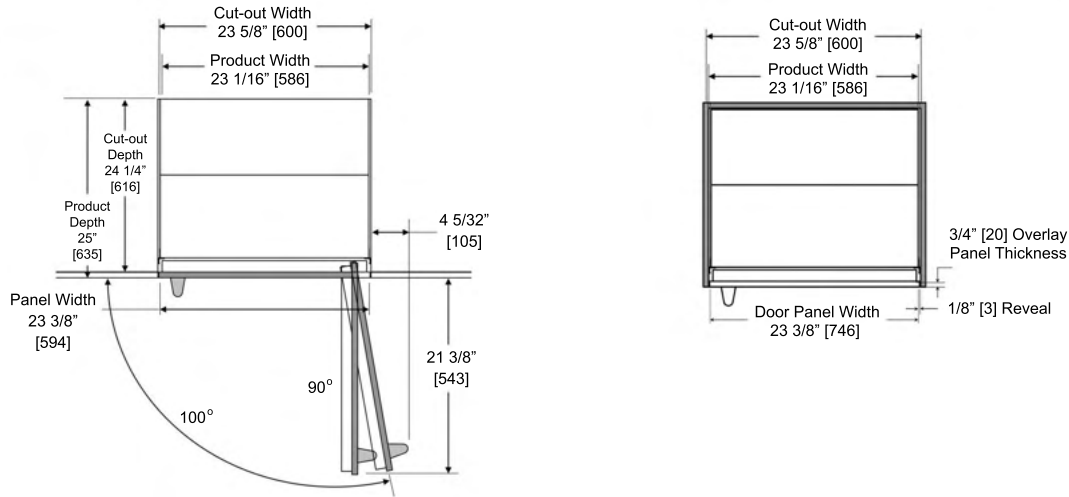


Installation Dimensions:

24" Panel Ready Refrigerator - Right Swing

Applicable Models:

- BIRP24R0



Installation Dimensions:

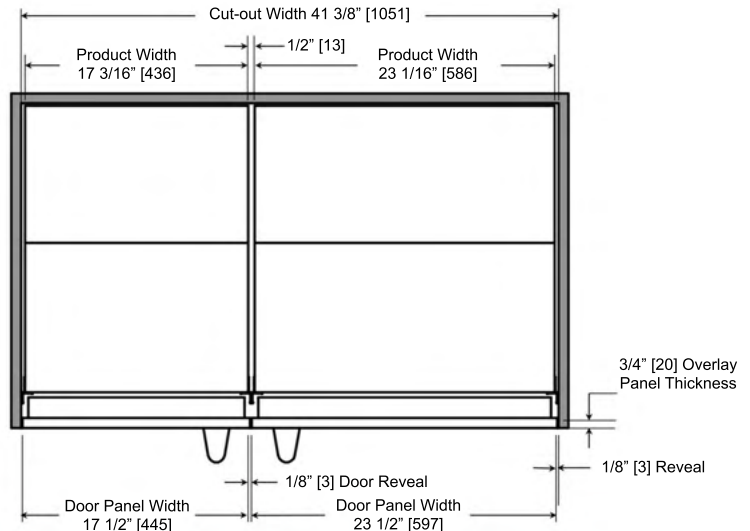
24" Panel Ready Refrigerator & 18" Panel Ready Freezer

Applicable Models:

- BIRP24
- BIFP18

Dimensions apply to the following model combinations:

- 18" Unit Left Hinge and 24" Unit Right Hinge
- 24" Unit Left Hinge and 18" Unit Right Hinge



INSTALLATION DIMENSIONS: PANEL READY MODELS

- (A) Recommended cut-out height 83 1/2" - 84"
- (B) Dimensions shown are with rollers in minimum position as shipped.
Unit can be raised 1" max.
- (C) Cut-out must have a finished return of at least 3 1/2" from the front.

Notes:

- Dimensions shown in [] are in millimeters.
- Cut-out dimensions are for frameless cabinet installations. Refer to column refrigeration design guide for face frame cabinet cut-out dimensions.

Installation Dimensions:

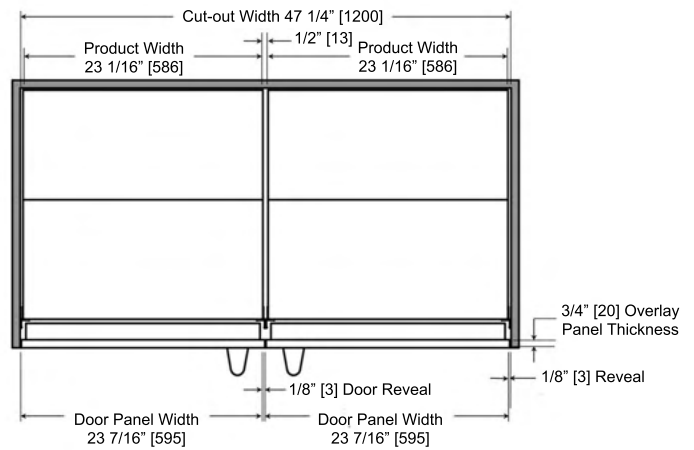
**24" Panel Ready Refrigerator
& 24" Panel Ready Freezer**

Applicable Models:

- BIRP24
- BIFP24

Dimensions apply to the following model combinations:

- 24" Unit Left Hinge and 24" Unit Right Hinge
- 24" Unit Left Hinge and 24" Unit Right Hinge



Installation Dimensions:

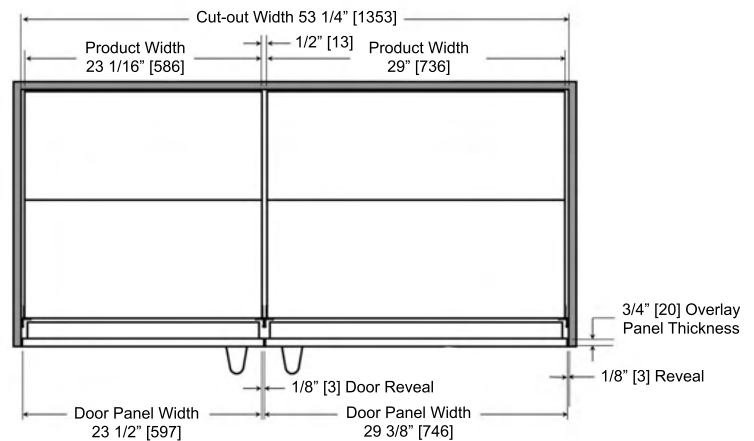
**24" Panel Ready Refrigerator
& 30" Panel Ready Freezer**

Applicable Models:

- BIRP24
- BIFP30

Dimensions apply to the following model combinations:

- 24" Unit Left Hinge and 30" Unit Right Hinge
- 30" Unit Left Hinge and 24" Unit Right Hinge

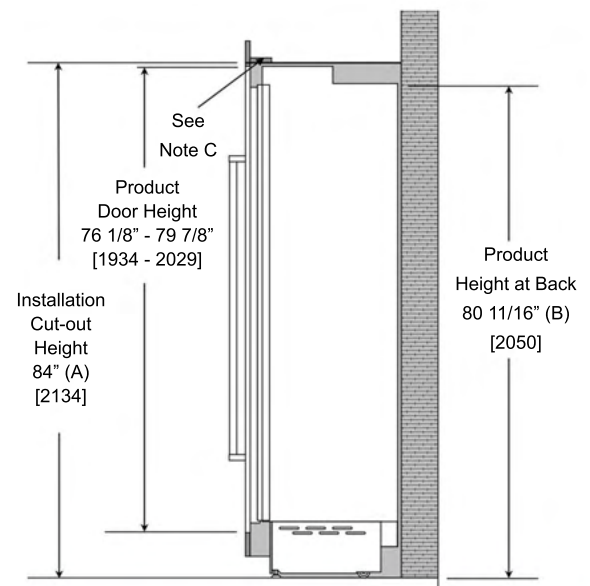


Installation Dimensions:

18", 24" & 30" Models with Panel Ready Door

Notes: Dimensions shown in [] are in millimeters

- (A) Recommended cut-out height 83 1/2" - 84"
- (B) Dimensions shown are with rollers in minimum position as shipped.
Units can be raised 1" max.
- (C) Cut-out must have a finished return of at least 3 1/2" from the front.



INSTALLATION DIMENSIONS: STANDARD DOOR MODELS

- (A) Cut-out must have a finished return of at least 3 1/2" from the front
- (B) Standard Door Installation: Cut-out must be a minimum depth of 25 3/8" [645] for a flush door installation. Cut-out must be minimum depth of 23 1/4" [591] to cover the sides of the unit.

Notes:

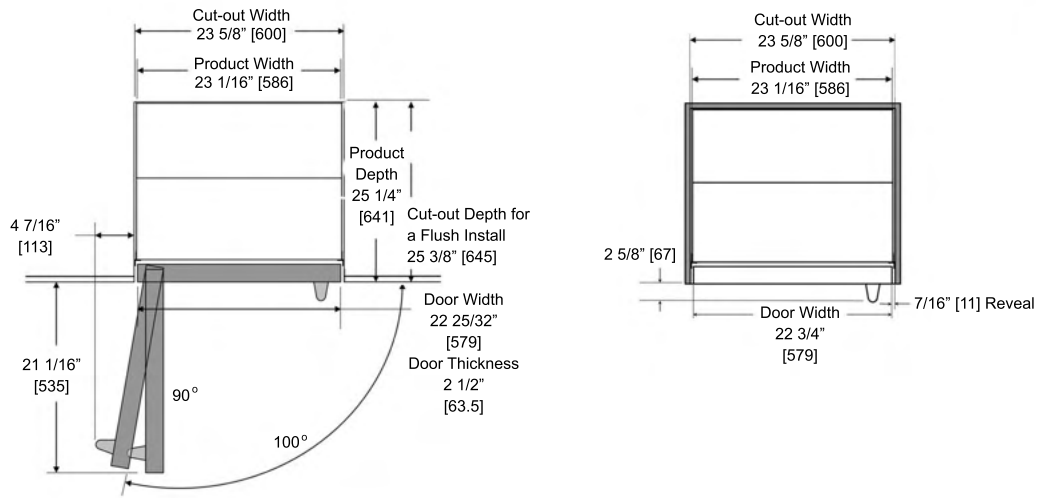
- Except where noted, dimensions shown are from cut-out to refrigerator.
- Dimensions shown in [] are in millimeters.
- Cut-out dimensions are for frameless cabinet installations. Refer to column refrigeration design guide for face frame cabinet cut-out dimensions.

Installation Dimensions:

24" Refrigerator - Left Swing

Applicable Models:

- All BIR24L0 Models

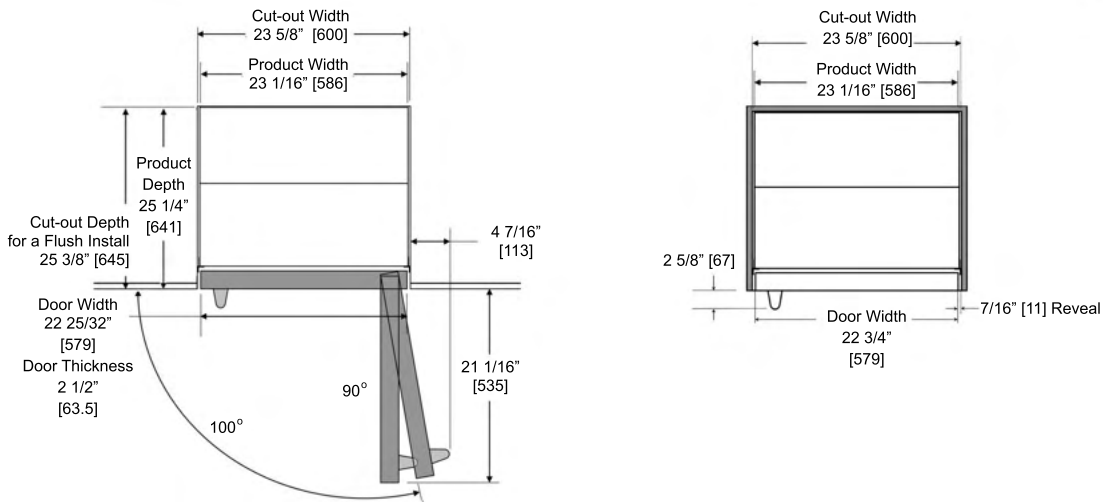


Installation Dimensions:

24" Refrigerator - Right Swing

Applicable Models:

- All BIR24R0 Models



Installation Dimensions:

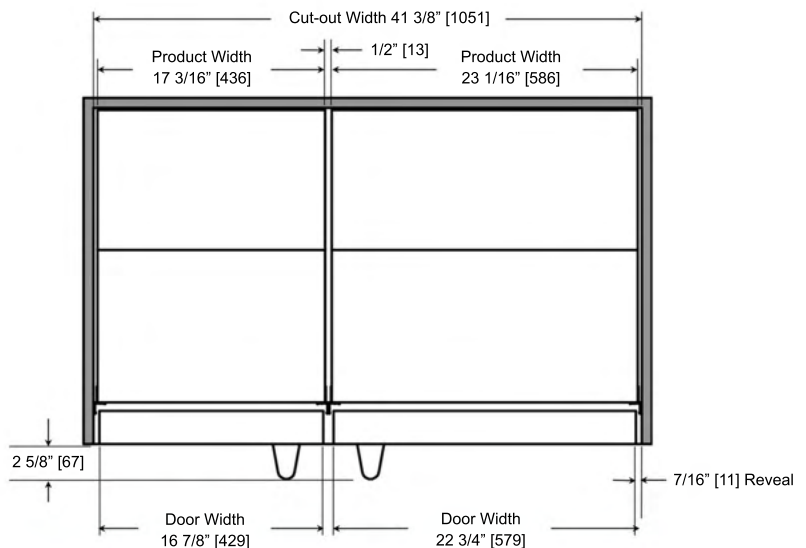
24" Refrigerator & 18" Freezer

Applicable Models:

- All BIR24 Models
- All BIF18 Models

Dimensions apply to the following model combinations:

- 18" Unit Left Hinge and 24" Unit Right Hinge
- 24" Unit Left Hinge and 18" Unit Right Hinge



INSTALLATION DIMENSIONS: STANDARD DOOR MODELS

- (A) Cut-out must have a finished return of at least 3 1/2" from the front
- (B) Standard Door Installation: Cut-out must be a minimum depth of 25 3/8" [645] for a flush door installation. Cut-out must be minimum depth of 23 1/4" [591] to cover the sides of the unit.

Notes:

- Except where noted, dimensions shown are from cut-out to refrigerator.
- Dimensions shown in [] are in millimeters.
- Cut-out dimensions are for frameless cabinet installations. Refer to column refrigeration design guide for face frame cabinet cut-out dimensions.

Installation Dimensions:

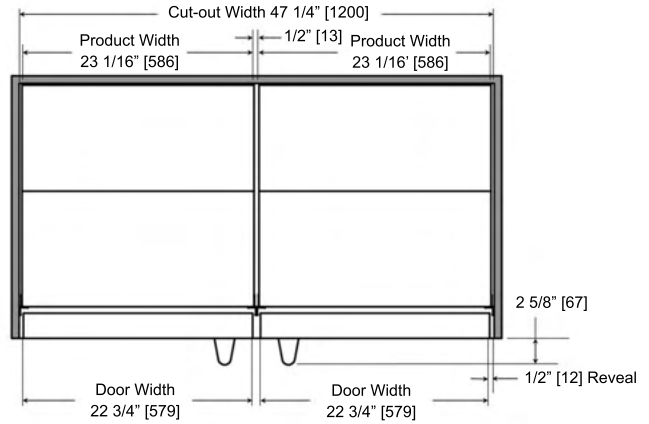
24" Refrigerator & 24" Freezer

Applicable Models:

- All BIR24 Models
- All BIF24 Models

Dimensions apply to the following model combinations:

- 24" Unit Left Hinge and 24" Unit Right Hinge
- 24" Unit Left Hinge and 24" Unit Right Hinge



Installation Dimensions:

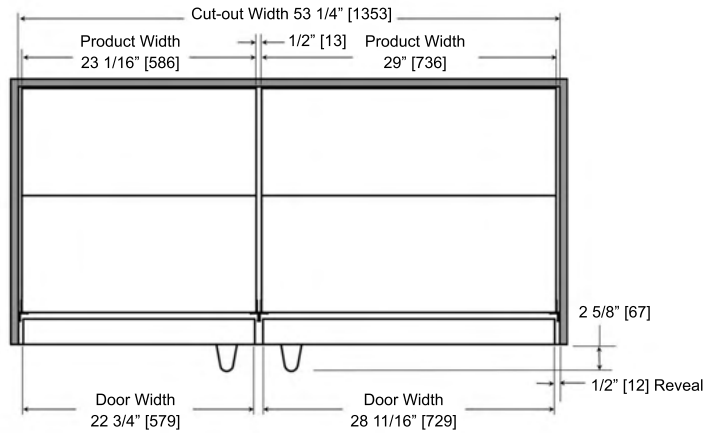
24" Refrigerator & 30" Freezer

Applicable Models:

- All BIR24 Models
- All BIF30 Models

Dimensions apply to the following model combinations:

- 24" Unit Left Hinge and 30" Unit Right Hinge
- 30" Unit Left Hinge and 24" Unit Right Hinge

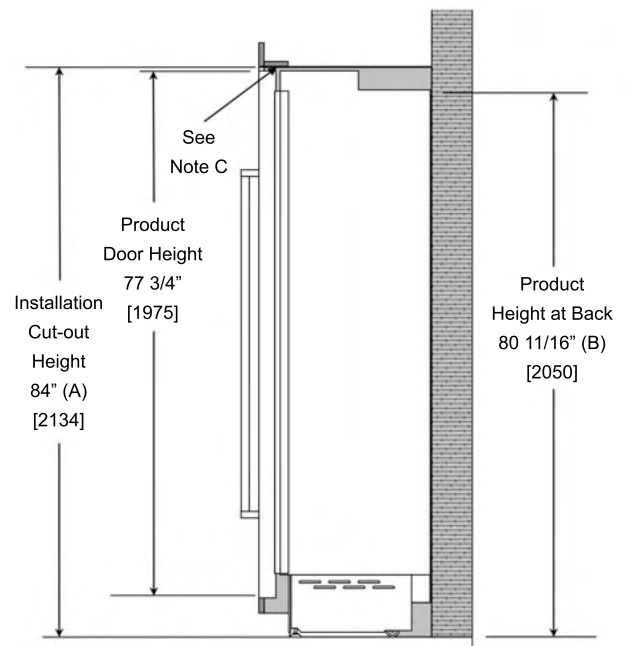


Installation Dimensions:

18", 24" & 30" Models with Standard Door

Notes: Dimensions shown in [] are in millimeters

- (A) Recommended cut-out height 83 1/2" - 84"
- (B) Dimensions shown are with rollers in minimum position as shipped. Units can be raised 1" max.
- (C) Cut-out must have a finished return of at least 3 1/2" from the front.



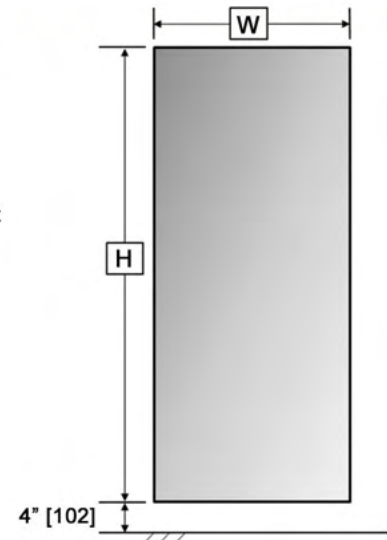
PANEL & TOEKICK DETAIL: PANEL READY MODELS

PANEL DETAIL:

Each panel-ready BlueStar Column appliance is designed to be equipped with a decorative door panel. The table below illustrates the dimensions to be used as a guide in creating custom panels. At 79 7/8" (2029 mm) tall, they are designed for a toekick height of 4" (102 mm), and a total cutout height of 84" (2134 mm) yielding 1/8" (3 mm) reveals. At 3/4" (19 mm) deep, they are designed to attach to the 24 1/4" (616 mm) deep appliance for an overall depth of 25" (635 mm). Maximum allowed panel thickness is 1-1/8" (29 mm).

If the cabinet panels to be installed on panel ready units are of a rail and stile panel design, the location of mounting bracket hardware must still be 3/4" thick. A minimum vertical stile width of 3" on either side edge of the panel is recommended.

Description	H	W (1)	W (2)	Max. Panel Weight
24" Single Column	79 7/8" [2029]	23 3/8" [594]		75 lb each (34 kg)
24" & 18" Joined Columns	79 7/8" [2029]	17 1/2" [445]	23 1/2" [597]	75 lb each (34 kg)
24" & 24" Joined Columns	79 7/8" [2029]	23 7/16" [595]	23 7/16" [595]	75 lb each (34 kg)
24" & 30" Joined Columns	79 7/8" [2029]	23 1/2" [597]	29 3/8" [746]	75 lb each (34 kg)



TOE KICK GRILL:

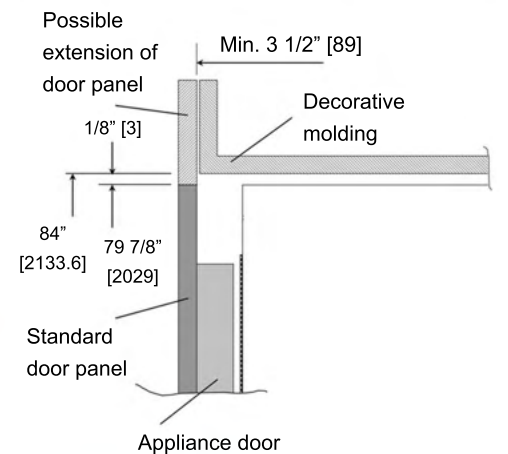
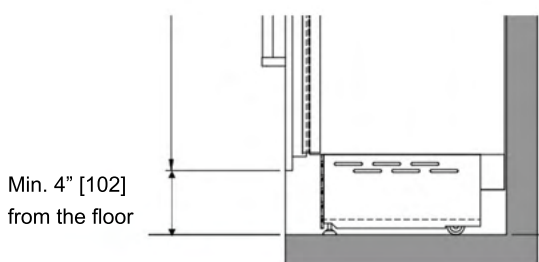
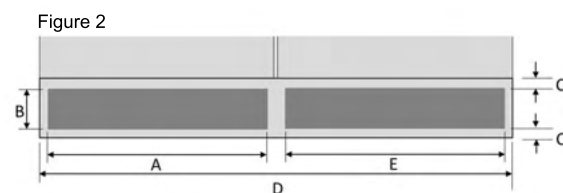
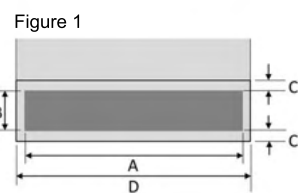
A forced air system assures ventilation through a grill positioned in the lower front part of the unit. Each BlueStar Column comes with a 8-1/2" (216 mm) high stainless steel grill. A custom-made toe kick that matches the surrounding cabinetry may be applied instead. It must be designed to maintain a satisfactory air flow, as described in the drawing below.

Important:

Please recall that a panel should be installed at a minimum height of 4" (102 mm) from the floor to allow proper ventilation of the appliance. If required by the surrounding cabinetry design, the distance between the bottom edge of the door panel and the floor can be increased from approx. 4" (102 mm) up to 7-3/4" (197 mm) but should not be decreased. The minimum height of the custom door panel on the refrigerator above must be 76 1/8" high in order to conceal the actual door of the unit.

If using a custom Toe Kick Grill, the Toe Kick Grill must allow for a minimum open area of at least 50% of the area defined by the dimensions "A" / "E" and "B" below. The custom Toe Kick Grill may be attached using a fastening method deemed appropriate by the cabinet manufacturer/installer. Note: The Toe Kick Grill must provide adequate airflow as outlined above in order to ensure proper functionality of the appliance. It is imperative that the Toe Kick Grill remain unblocked to ensure proper functionality of the appliance and should be removable to allow for servicing and condenser cleaning.

	Figure 1	Figure 2		
	24"	24" + 18"	24" + 24"	24" + 30"
A	22" [559]	16 1/8" [410]	22" [559]	22" [559]
B	> 4" [100]			
C	3/8" [10]			
D	23 3/8" [594]	41 1/8" [1044]	47" [1194]	53" [1346]
E		22" [559]	22" [559]	27 15/16" [710]

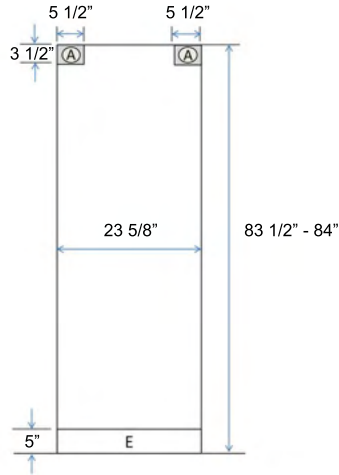


SITE PREPARATION GUIDE

- Electrical:** The electrical outlet should be located in the area marked "E" and must be on a dedicated non-GFI 115V, 60Hz, 15 Amp circuit and accept a three-prong grounding plug.
- Plumbing:** The water line should be located in the area marked "W". Connect the water line to the house water supply with an easily accessible shut-off valve.
- Mounting:** "A" equals area to be left clear for anti-tip brackets. In addition, the plastic connecting brackets must be screwed to the cabinets all provided attachment points.

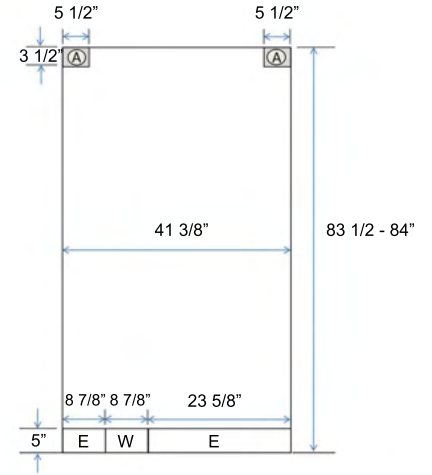
24" Column Refrigerator

- Model(s):
 - BIR24 models
 - BIRP24 models



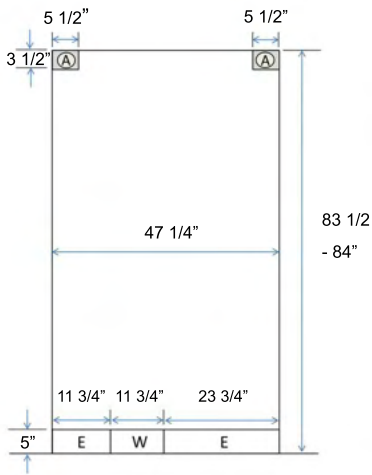
24" Column Refrigerator & 18" Column Freezer

- Model(s):
 - BIR24 models
 - BIRP24 models
 - BIF18 models
 - BIFP18 models



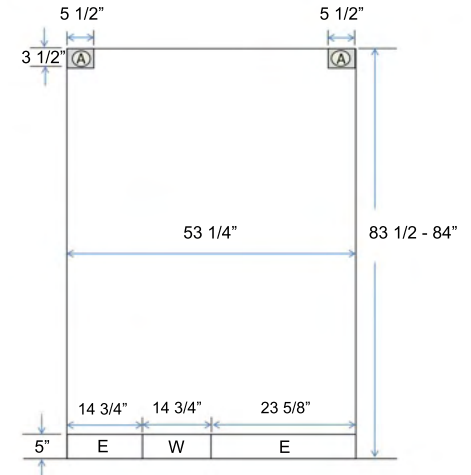
24" Column Refrigerator & 24" Column Freezer

- Model(s):
 - BIR24 models
 - BIRP24 models
 - BIF24 models
 - BIFP24 models

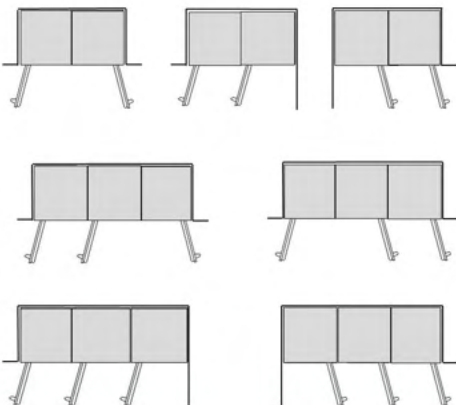


24" Column Refrigerator & 30" Column Freezer

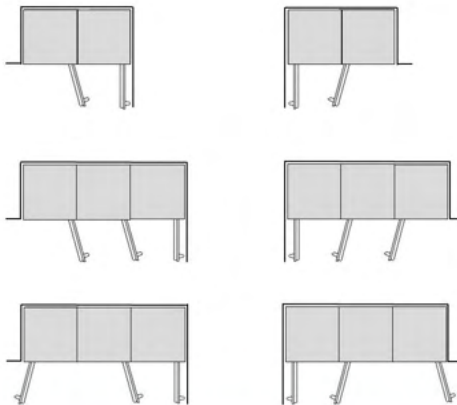
- Model(s):
 - BIR24 models
 - BIRP24 models
 - BIF30 models
 - BIFP30 models



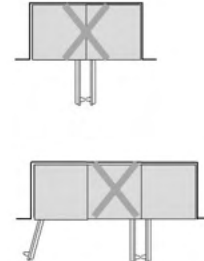
Recommended Installations for Standard Door Swing:

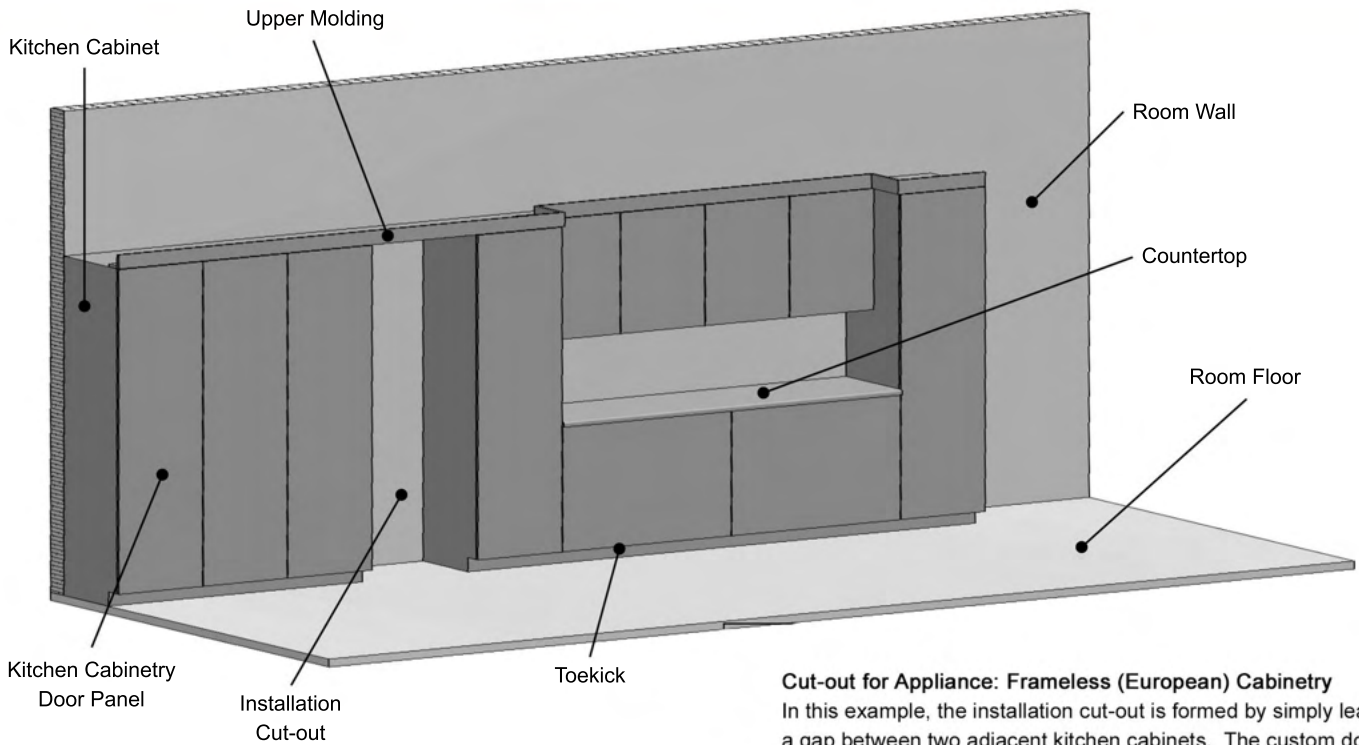


Recommended Installations Requiring 90 Degree Hinges:



Not Recommended Installations:

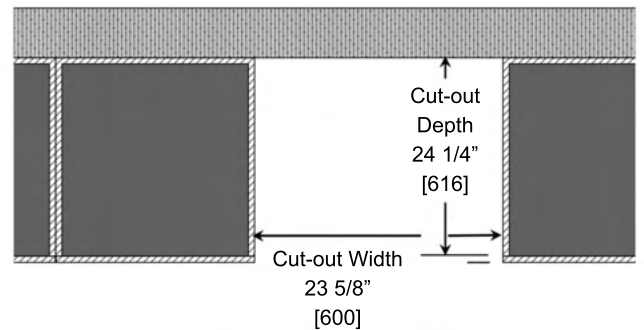
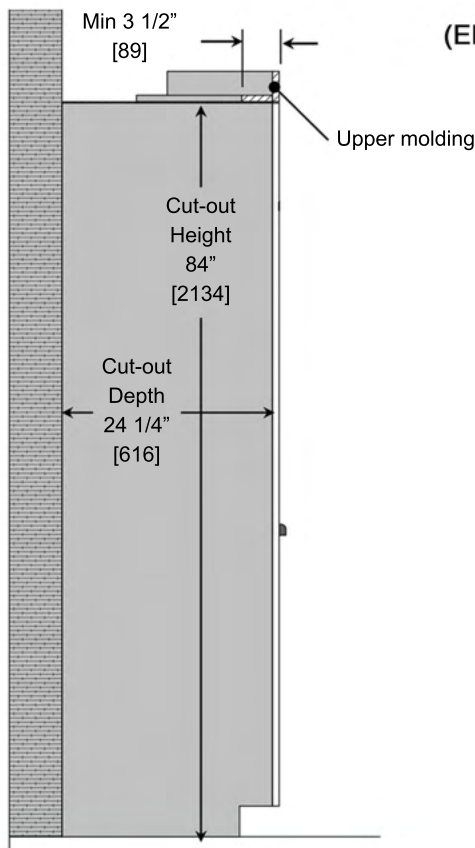




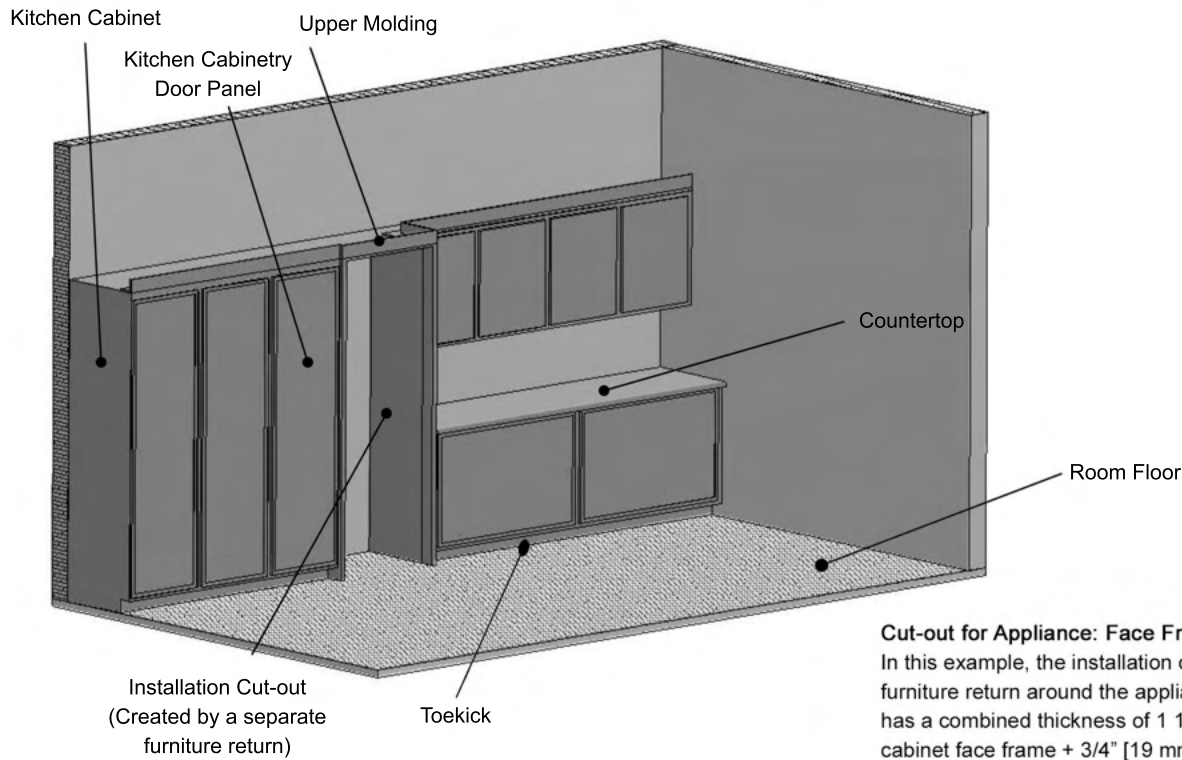
Cut-out for Appliance: Frameless (European) Cabinetry
 In this example, the installation cut-out is formed by simply leaving a gap between two adjacent kitchen cabinets. The custom door panel 3/4" [19 mm] will be identical in appearance and thickness to the surrounding kitchen cabinetry panels.

- Cut-out (case) depth is 24 1/4" [616 mm] - does not include door panel
- Top and side walls of cut-out interior are completely flush, made of solid material and at least 3 1/2" [89 mm] deep.

**Installation Cut-out
 (Elevation Section View)**



**Installation Cut-out
 (Plan View)**

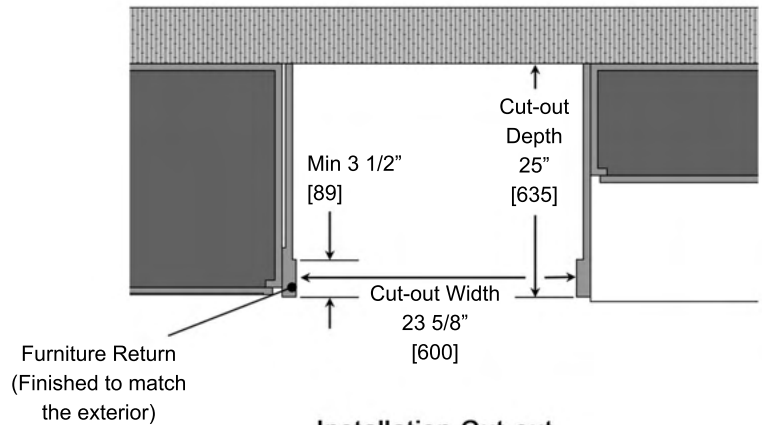
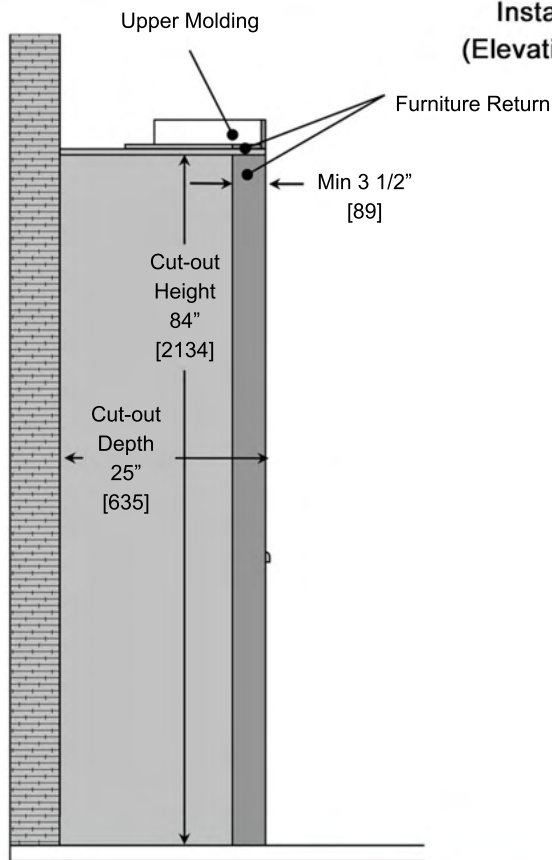


Cut-out for Appliance: Face Frame Cabinetry

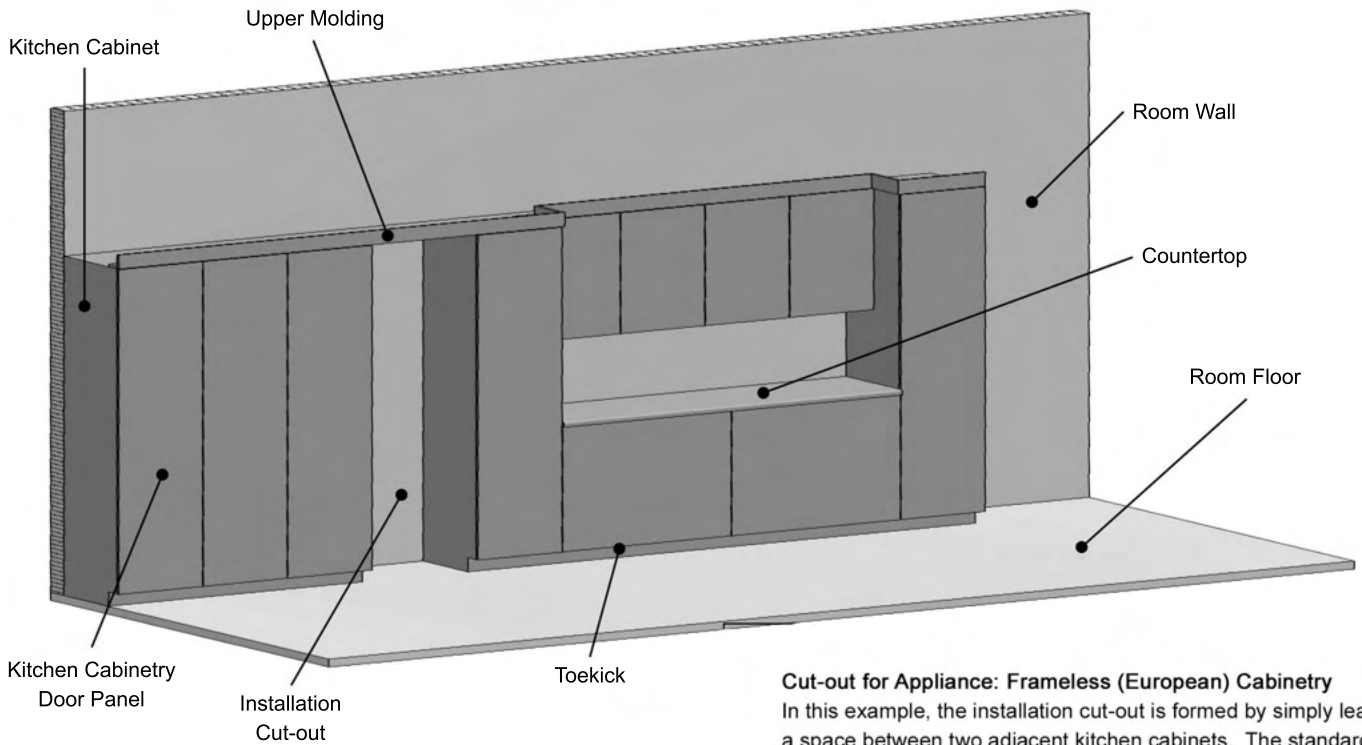
In this example, the installation cut-out is formed by creating a separate furniture return around the appliances. The kitchen cabinet door panel has a combined thickness of 1 1/2" [38 mm], 3/4" [19 mm] emulating the cabinet face frame + 3/4" [19 mm] for the actual door panel. A 25" [635 mm] deep installation cut-out is required.

- Cut-out (case) depth is 25" [635 mm] due to 1 1/2" [38 mm] combined kitchen cabinet face frame panel & cabinet door thickness.
- Any furniture return must be at least 3 1/2" [89 mm] deep, on interior top and sides, of solid material and should be finished to match exterior.

Installation Cut-out (Elevation Section View)



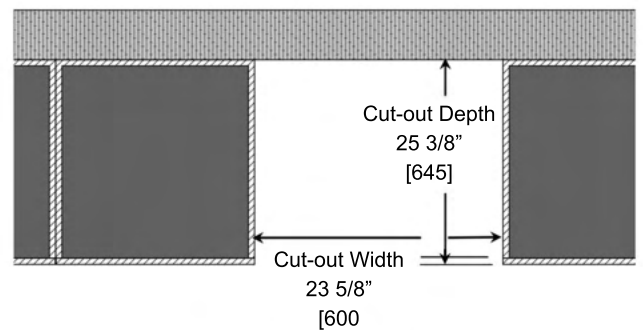
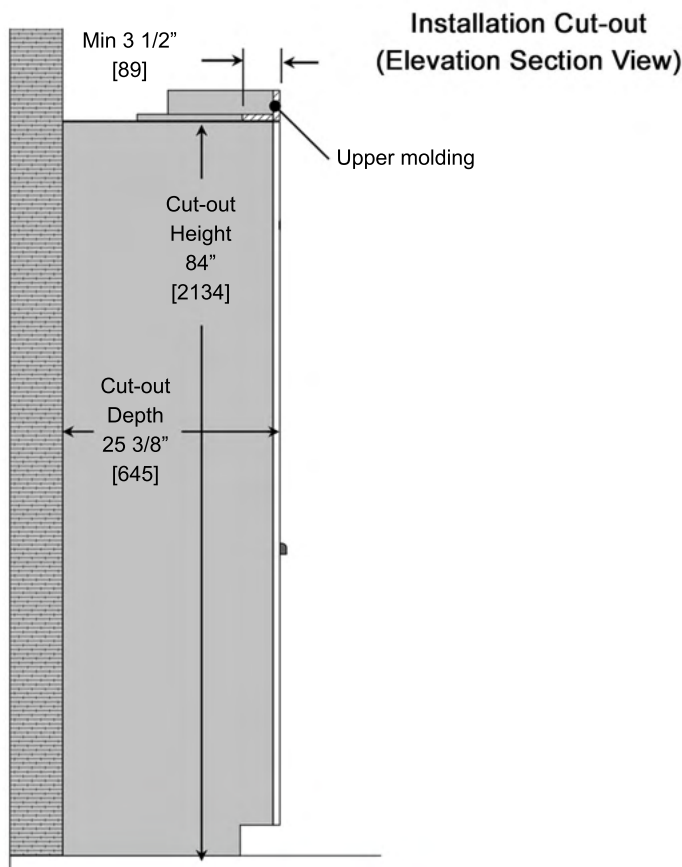
Installation Cut-out (Plan View)



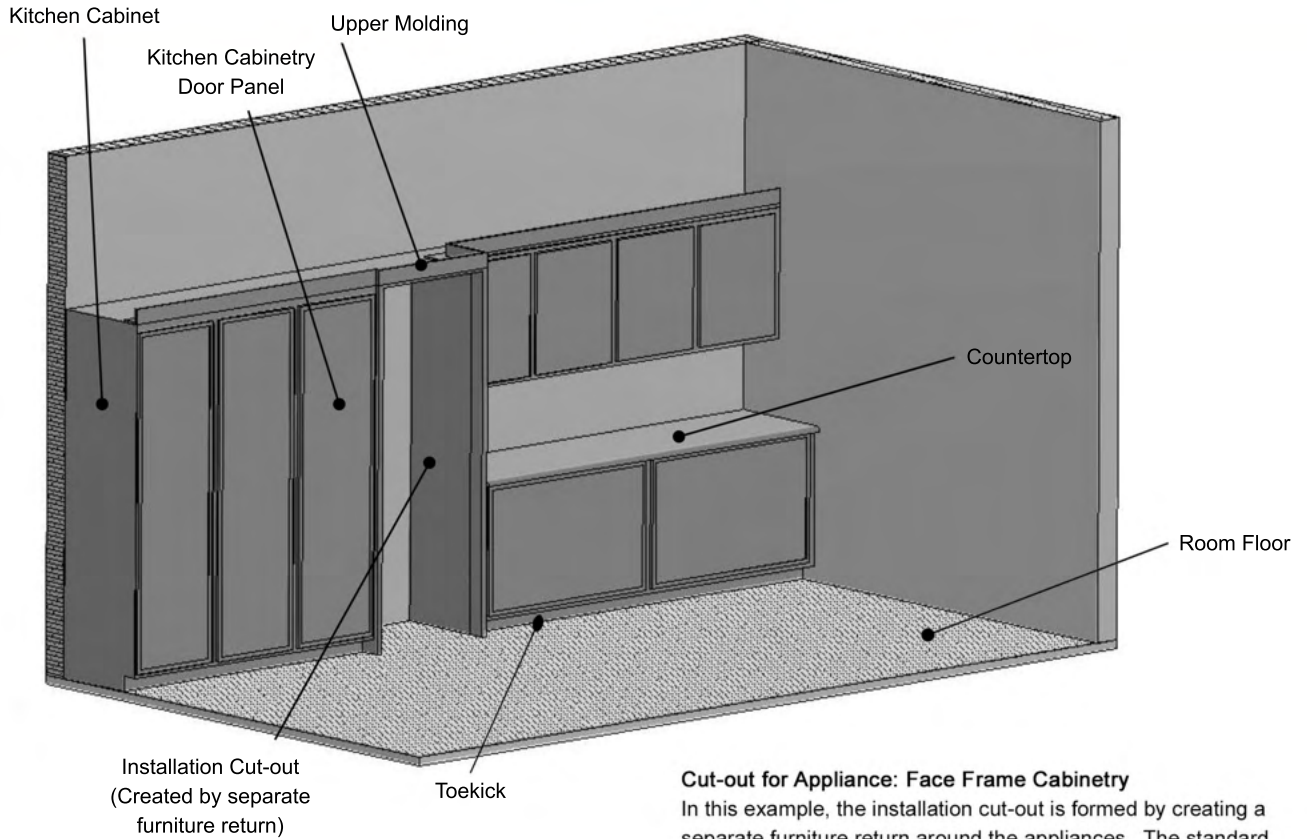
Cut-out for Appliance: Frameless (European) Cabinetry

In this example, the installation cut-out is formed by simply leaving a space between two adjacent kitchen cabinets. The standard door panel requires a 25 3/8" installation cut-out depth for a flush install.

- Top and side walls of cut-out interior should be completely flush, made of solid material and finished to a depth of at least 3 1/2" from the front edge.



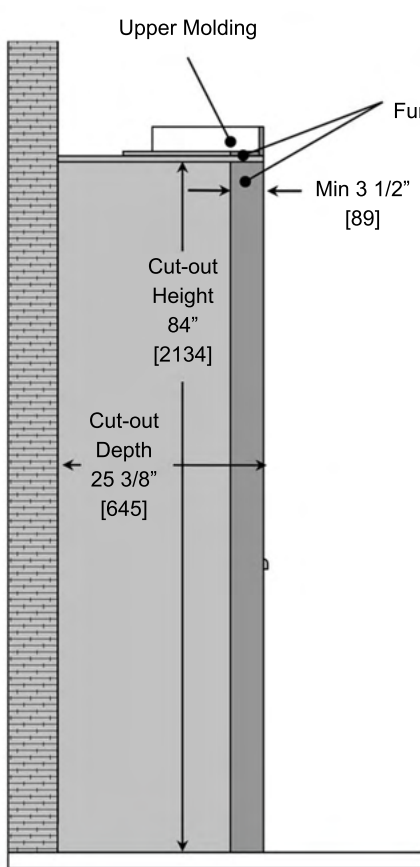
Installation Cut-out (Plan View)



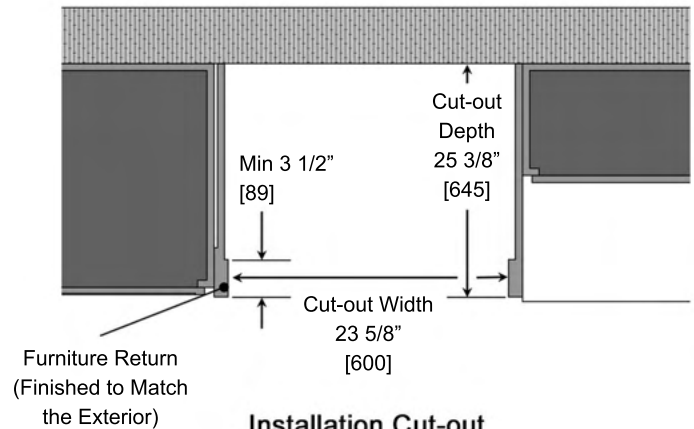
Cut-out for Appliance: Face Frame Cabinetry

In this example, the installation cut-out is formed by creating a separate furniture return around the appliances. The standard door panel requires a 25 3/8" installation cut-out depth for a flush fit.

- Top and side walls of cut-out interior are completely flush, made of solid material and at least 3 1/2" [89 mm] deep.



Installation Cut-out (Elevation Section View)



Installation Cut-out (Plan View)

The NEW Freezer Column has been designed to offer exceptional food preservation, maximum storage & unmatched options for kitchen design and flexibility. With industry-leading capacity these integrated columns are perfect for every home kitchen.

PRODUCT FEATURES:

- Industry-leading 16.84 cu. ft. capacity
- Stainless steel & glass interiors
- Available in panel-ready, pro-style stainless steel or your choice of 1,000+ colors, all with flush installation
- Automatic ice maker with Super Ice function
- Easy-to-use touch control panel
- Extra-bright LED lighting
- Stainless steel full extension drawers
- Iron Clad Warranty: 2 years (full), 5 years (sealed system parts & labor) and 13 years (sealed system parts)
- Side by side kits included with all freezer models.

CONFIGURATIONS:

Right Swing Models:

BIFP30R0	Panel Ready
BIF30R0	Stainless Steel Standard Trim
BIF30R0PLT	Stainless Steel Plated Trim
BIF30R0C	Standard RAL Color Standard Trim
BIF30R0CPLT	Standard RAL Color Plated Trim
BIF30R0CF	Specialty Finish Standard Trim
BIF30R0CFPLT	Speciality Finish Plated Trim
BIF30R0CC	Custom Color Standard Trim
BIF30R0CCPLT	Custom Color Plated Trim



Model: BIFP30R0

Model: BIF30R0

Model: BIF30R0CPLT

SPECIFICATIONS:

Dimensions:

- Standard Door: 83 1/2"H x 29 3/8"W x 25 1/4"D
- Panel Ready: 83 1/2"H x 29 3/8"W x 24 1/4"D
- * Overall depth does not include panel depth
- * Width includes connector brackets

Electrical Requirements: 115V, 60Hz, 15 AMP Circuit
(Unit must be on a Non-GFI, dedicated outlet)

Water Pressure: 35 - 120 psi

Unit Capacity: 16.84 cu. ft.

Weight: 445 lbs.

Left Swing Models:

BIFP30L0	Panel Ready
BIF30L0	Stainless Steel Standard Trim
BIF30L0PLT	Stainless Steel Plated Trim
BIF30L0C	Standard RAL Color Standard Trim
BIF30L0CPLT	Standard RAL Color Plated Trim
BIF30L0CF	Specialty Finish Standard Trim
BIF30L0CFPLT	Speciality Finish Plated Trim
BIF30L0CC	Custom Color Standard Trim
BIF30L0CCPLT	Custom Color Plated Trim

INSTALLATION DIMENSIONS: PANEL READY MODELS

- (A) Recommended cut-out height 83 1/2" - 84"
- (B) Dimensions shown are with rollers in minimum position as shipped.
Unit can be raised 1" max.
- (C) Cut-out must have a finished return of at least 3 1/2" from the front.

Notes:

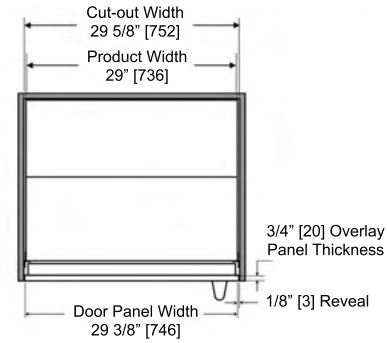
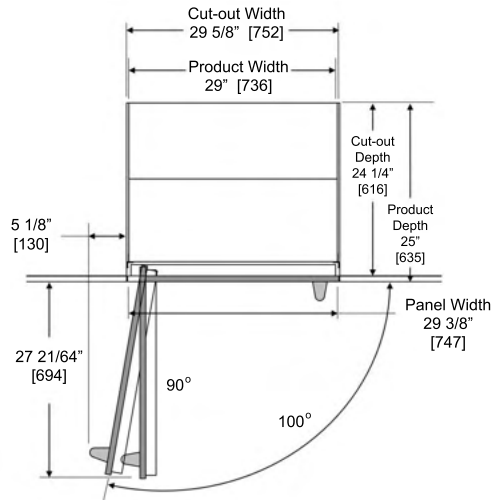
- Dimensions shown in [] are in millimeters.
- Product depth does not include 3/4" custom panel depth
- Cut-out dimensions are for frameless cabinet installations. Refer to column refrigeration design guide for face frame cabinet cut-out dimensions.

Installation Dimensions:

30" Panel Ready Freezer - Left Swing

Applicable Models:

- BIFP30L0

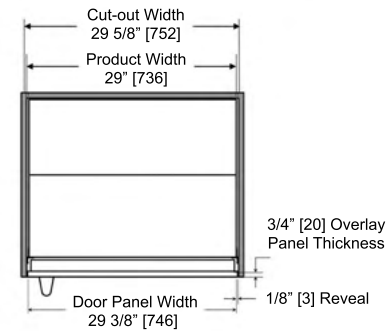
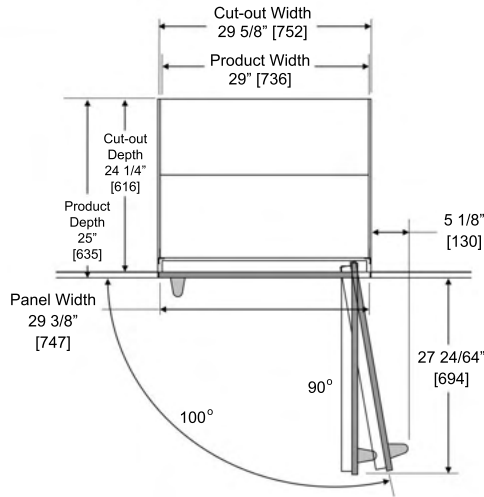


Installation Dimensions:

30" Panel Ready Freezer - Right Swing

Applicable Models:

- BIFP30R0



INSTALLATION DIMENSIONS: PANEL READY MODELS

- (A) Recommended cut-out height 83 1/2" - 84"
- (B) Dimensions shown are with rollers in minimum position as shipped.
Unit can be raised 1" max.
- (C) Cut-out must have a finished return of at least 3 1/2" from the front.

Notes:

- Dimensions shown in [] are in millimeters.
- Cut-out dimensions are for frameless cabinet installations. Refer to column refrigeration design guide for face frame cabinet cut-out dimensions.

Installation Dimensions:

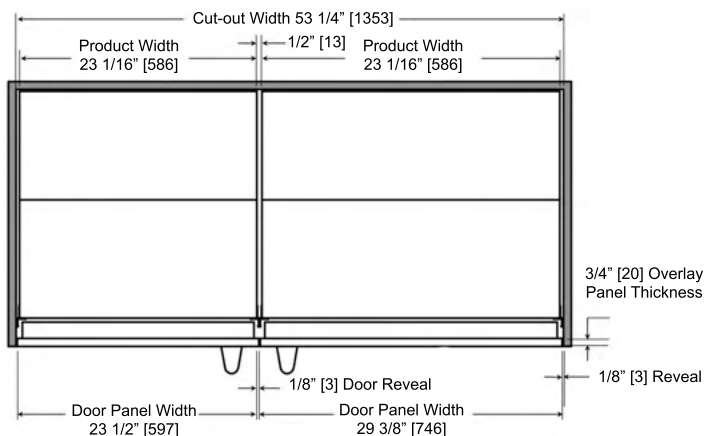
**30" Panel Ready Freezer
& 24" Panel Ready Refrigerator**

Applicable Models:

- BIFP30
- BIRP24

Dimensions apply to the following model combinations:

- 24" Unit Left Hinge and 30" Unit Right Hinge
- 30" Unit Left Hinge and 24" Unit Right Hinge



Installation Dimensions:

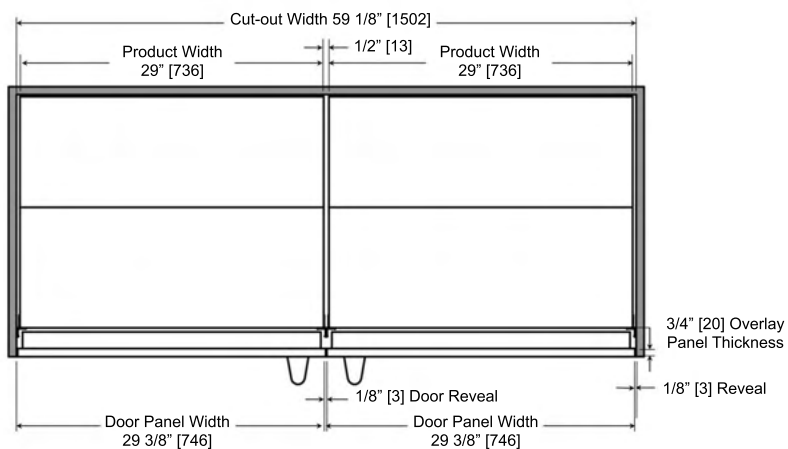
**30" Panel Ready Freezer
& 30" Panel Ready Refrigerator**

Applicable Models:

- BIFP30
- BIRP30

Dimensions apply to the following model combinations:

- 30" Unit Left Hinge and 30" Unit Right Hinge
- 30" Unit Left Hinge and 30" Unit Right Hinge

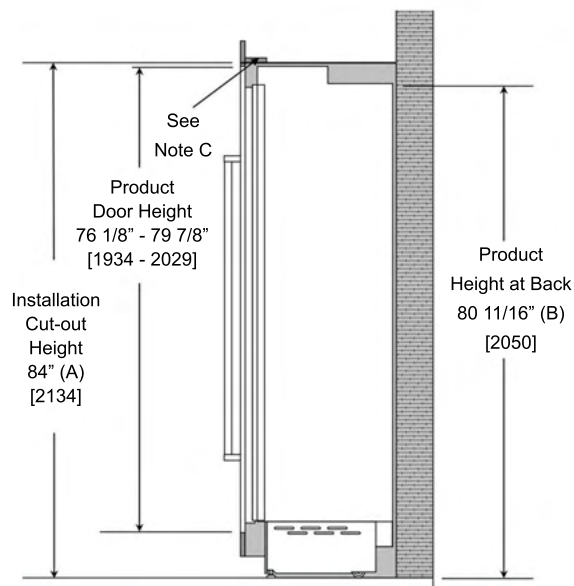


Installation Dimensions:

18", 24" & 30" Models with Panel Ready Door

Notes: Dimensions shown in [] are in millimeters

- (A) Recommended cut-out height 83 1/2" - 84"
- (B) Dimensions shown are with rollers in minimum position as shipped.
Units can be raised 1" max.
- (C) Cut-out must have a finished return of at least 3 1/2" from the front.



INSTALLATION DIMENSIONS: STANDARD DOOR MODELS

- (A) Cut-out must have a finished return of at least 3 1/2" from the front
- (B) Standard Door Installation: Cut-out must be a minimum depth of 25 3/8" [645] for a flush door installation. Cut-out must be minimum depth of 23 1/4" [591] to cover the sides of the unit.

Notes:

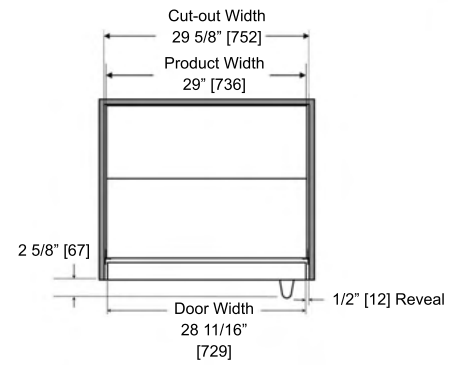
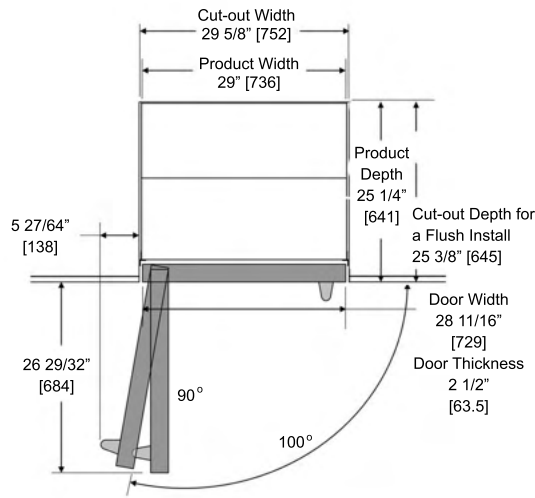
- Except where noted, dimensions shown are from cut-out to refrigerator.
- Dimensions shown in [] are in millimeters.
- Cut-out dimensions are for frameless cabinet installations. Refer to column refrigeration design guide for face frame cabinet cut-out dimensions.

Installation Dimensions:

30" Freezer - Left Swing

Applicable Models:

- All BIF30L0 Models

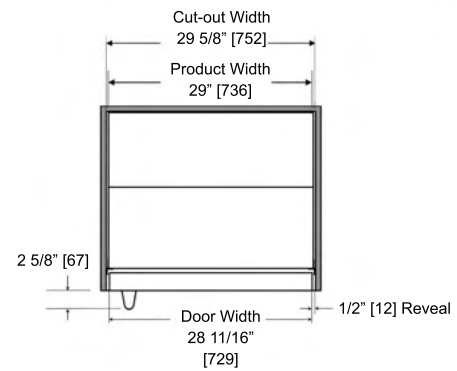
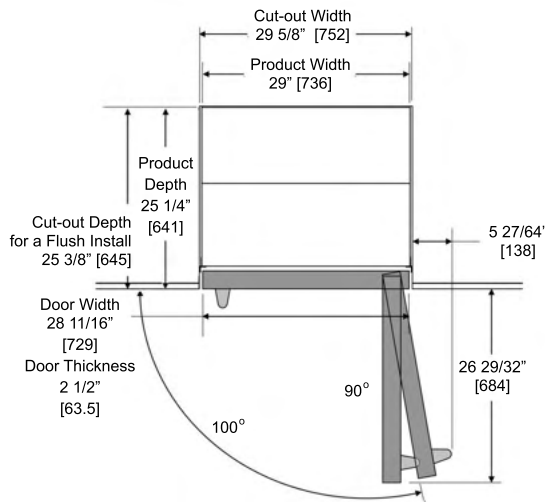


Installation Dimensions:

30" Freezer - Right Swing

Applicable Models:

- All BIF30R0 Models



INSTALLATION DIMENSIONS: STANDARD DOOR MODELS

- (A) Cut-out must have a finished return of at least 3 1/2" from the front
- (B) Standard Door Installation: Cut-out must be a minimum depth of 25 3/8" [645] for a flush door installation. Cut-out must be minimum depth of 23 1/4" [591] to cover the sides of the unit.

Notes:

- Except where noted, dimensions shown are from cut-out to refrigerator.
- Dimensions shown in [] are in millimeters.
- Cut-out dimensions are for frameless cabinet installations. Refer to column refrigeration design guide for face frame cabinet cut-out dimensions.

Installation Dimensions:

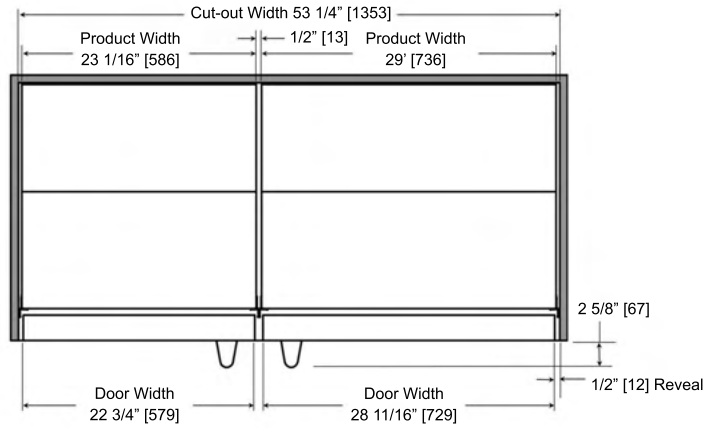
30" Freezer & 24" Refrigerator

Applicable Models:

- All BIF30 Models
- All BIR24 Models

Dimensions apply to the following model combinations:

- 24" Unit Left Hinge and 30" Unit Right Hinge
- 30" Unit Left Hinge and 24" Unit Right Hinge



Installation Dimensions:

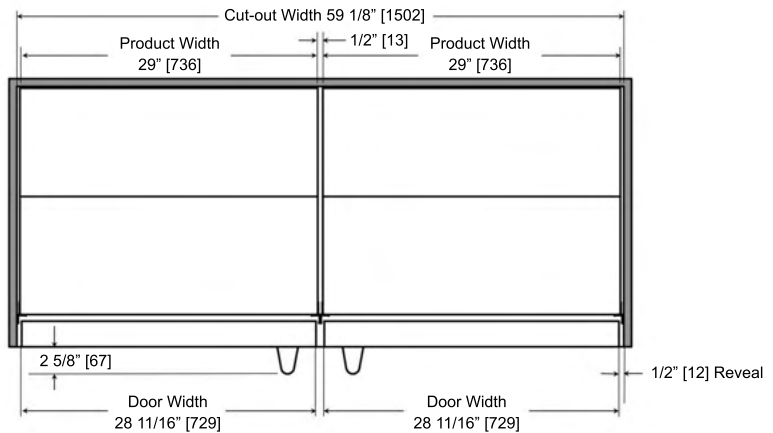
30" Freezer & 30" Refrigerator

Applicable Models:

- All BIF30 Models
- All BIR30 Models

Dimensions apply to the following model combinations:

- 30" Unit Left Hinge and 30" Unit Right Hinge
- 30" Unit Left Hinge and 30" Unit Right Hinge

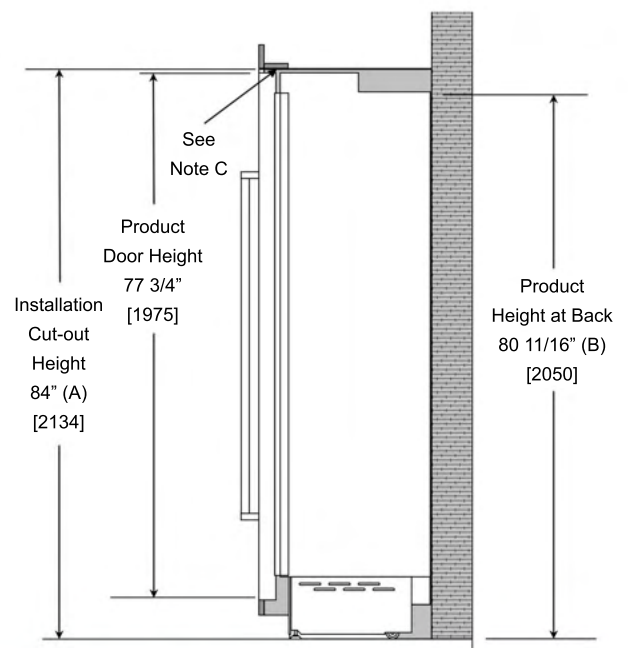


Installation Dimensions:

18", 24" & 30" Models with Standard Door

Notes: Dimensions shown in [] are in millimeters

- (A) Recommended cut-out height 83 1/2" - 84"
- (B) Dimensions shown are with rollers in minimum position as shipped. Units can be raised 1" max.
- (C) Cut-out must have a finished return of at least 3 1/2" from the front.



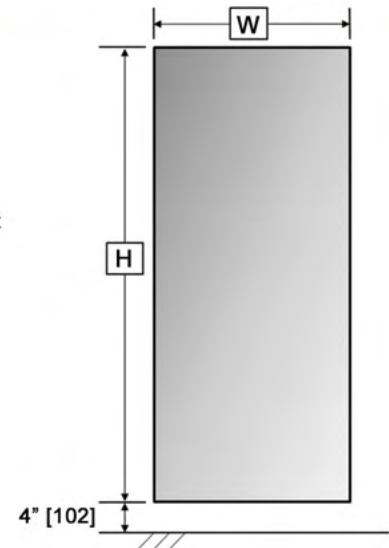
PANEL & TOEKICK DETAIL: PANEL READY MODELS

PANEL DETAIL:

Each panel-ready BlueStar Column appliance is designed to be equipped with a decorative door panel. The table below illustrates the dimensions to be used as a guide in creating custom panels. At 79 7/8" (2029 mm) tall, they are designed for a toekick height of 4" (102 mm), and a total cutout height of 84" (2134 mm) yielding 1/8" (3 mm) reveals. At 3/4" (19 mm) deep, they are designed to attach to the 24 1/4" (616 mm) deep appliance for an overall depth of 25" (635 mm). Maximum allowed panel thickness is 1-1/8" (29 mm).

If the cabinet panels to be installed on panel ready units are of a rail and stile panel design, the location of mounting bracket hardware must still be 3/4" thick. A minimum vertical stile width of 3" on either side edge of the panel is recommended.

Description	H	W (1)	W (2)	Max. Panel Weight
30" Single Column	79 7/8" [2029]	29 3/8" [746]		75 lb each (34 kg)
18" & 30" Joined Columns	79 7/8" [2029]	17 1/2" [445]	29 3/8" [746]	75 lb each (34 kg)
24" & 30" Joined Columns	79 7/8" [2029]	23 1/2" [597]	29 3/8" [746]	75 lb each (34 kg)
30" & 30" Joined Columns	79 7/8" [2029]	29 3/8" [746]	29 3/8" [746]	75 lb each (34 kg)



TOE KICK GRILL:

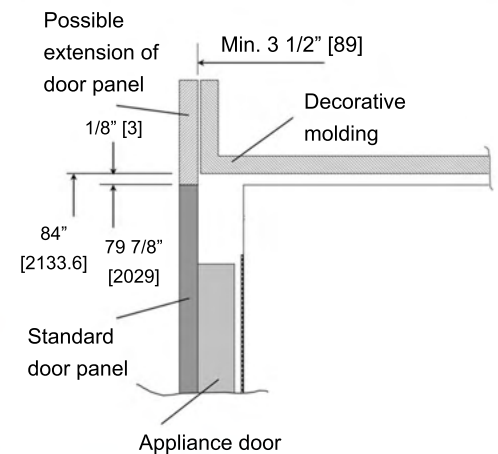
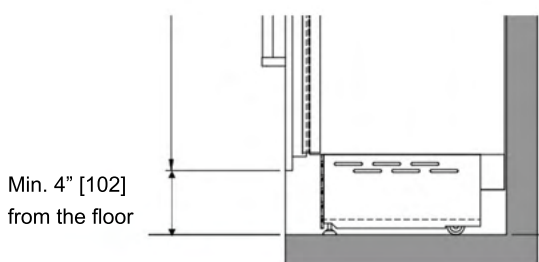
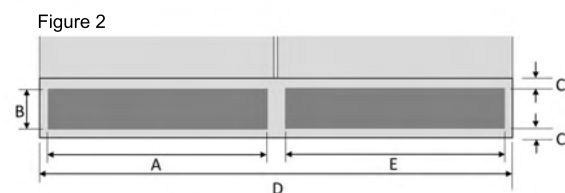
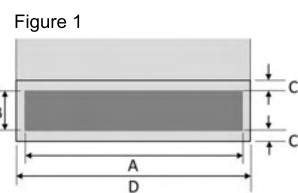
A forced air system assures ventilation through a grill positioned in the lower front part of the unit. Each BlueStar Column comes with a 8-1/2" (216 mm) high stainless steel grill. A custom-made toe kick that matches the surrounding cabinetry may be applied instead. It must be designed to maintain a satisfactory air flow, as described in the drawing below.

Important:

Please recall that a panel should be installed at a minimum height of 4" (102 mm) from the floor to allow proper ventilation of the appliance. If required by the surrounding cabinetry design, the distance between the bottom edge of the door panel and the floor can be increased from approx. 4" (102 mm) up to 7-3/4" (197 mm) but should not be decreased. The minimum height of the custom door panel on the refrigerator above must be 76 1/8" high in order to conceal the actual door of the unit.

If using a custom Toe Kick Grill, the Toe Kick Grill must allow for a minimum open area of at least 50% of the area defined by the dimensions "A" / "E" and "B" below. The custom Toe Kick Grill may be attached using a fastening method deemed appropriate by the cabinet manufacturer/installer. Note: The Toe Kick Grill must provide adequate airflow as outlined above in order to ensure proper functionality of the appliance. It is imperative that the Toe Kick Grill remain unblocked to ensure proper functionality of the appliance and should be removable to allow for servicing and condenser cleaning.

	Figure 1	Figure 2		
	30"	30" + 18"	30" + 24"	30" + 30"
A	27 15/16" [710]	16 1/8" [410]	22" [559]	27 15/16" [710]
B	> 4" [100]			
C	3/8" [10]			
D	29 3/8" [747]	47" [1194]	53" [1346]	58 7/8" [1495]
E		22" [559]	27 15/16" [710]	27 15/16" [710]

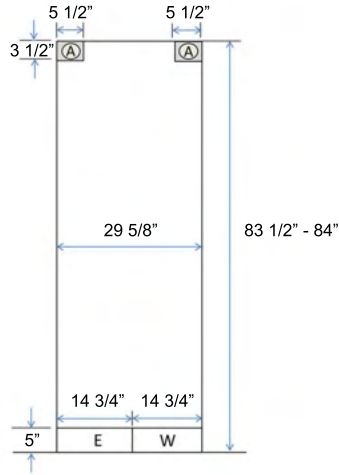


SITE PREPARATION GUIDE

- Electrical:** The electrical outlet should be located in the area marked "E" and must be on a dedicated non-GFI 115V, 60Hz, 15 Amp circuit and accept a three-prong grounding plug.
- Plumbing:** The water line should be located in the area marked "W". Connect the water line to the house water supply with an easily accessible shut-off valve.
- Mounting:** "A" equals area to be left clear for anti-tip brackets. In addition, the plastic connecting brackets must be screwed to the cabinets all provided attachment points.

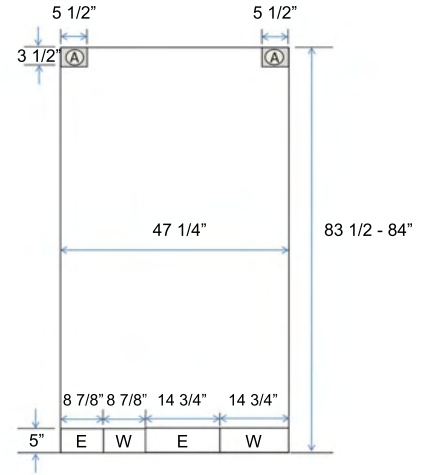
30" Column Freezer

- Model(s):
 - BIF30 models
 - BIFP30 models



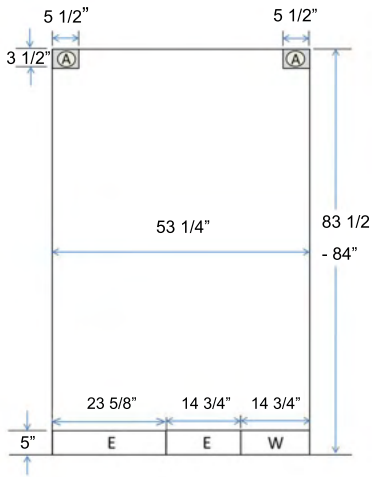
30" Column Freezer & 18" Column Freezer

- Model(s):
 - BIF30 models
 - BIFP30 models
 - BIF18 models
 - BIFP18 models



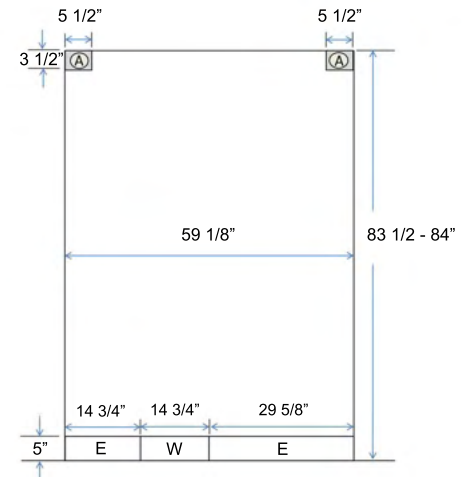
30" Column Freezer & 24" Column Refrigerator

- Model(s):
 - BIF30 models
 - BIFP30 models
 - BIR24 models
 - BIRP24 models

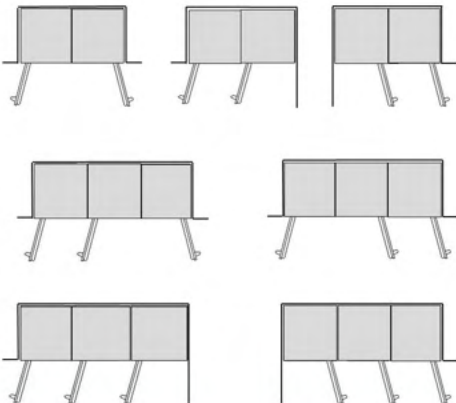


30" Column Freezer & 30" Column Refrigerator

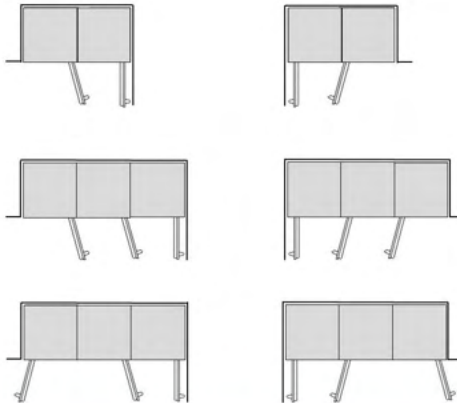
- Model(s):
 - BIR30 models
 - BIRP30 models
 - BIF30 models
 - BIFP30 models



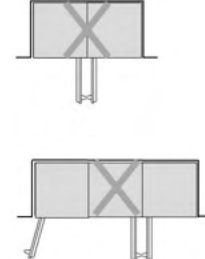
Recommended Installations for Standard Door Swing:

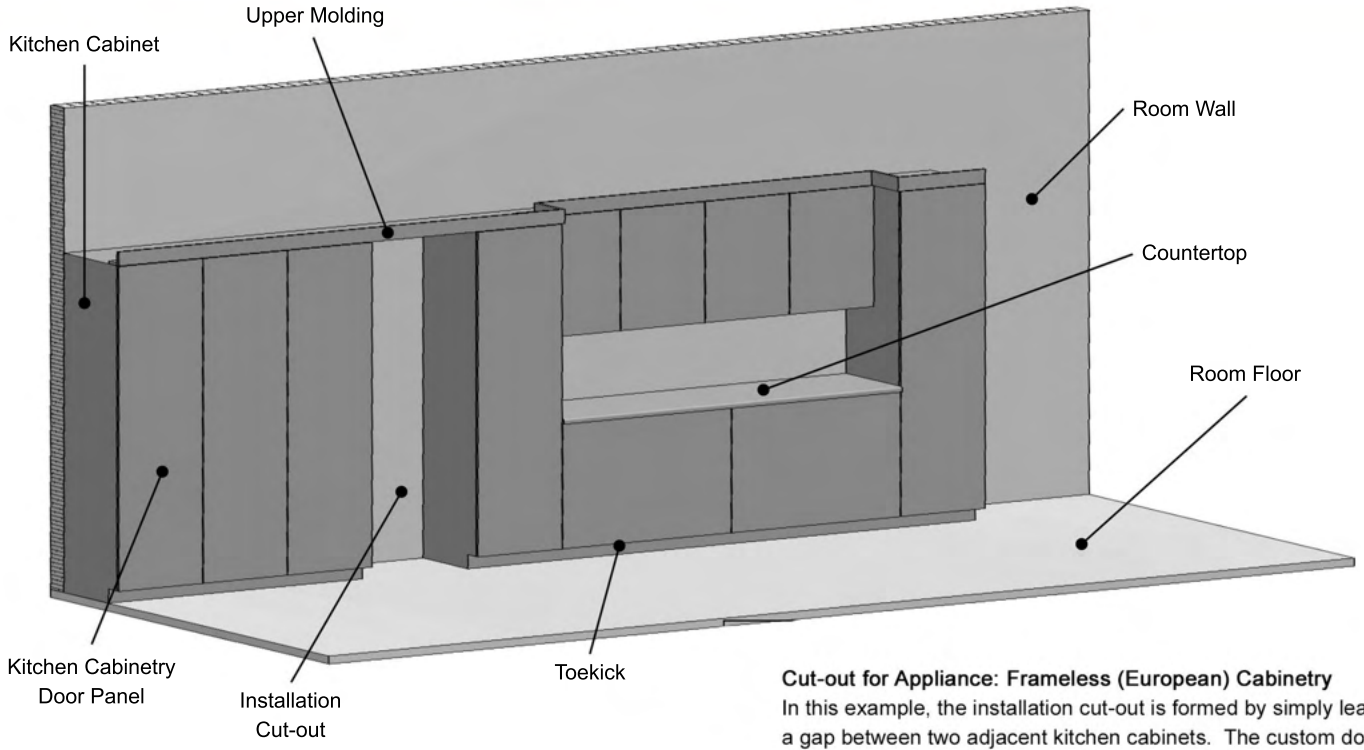


Recommended Installations Requiring 90 Degree Hinges:



Not Recommended Installations:

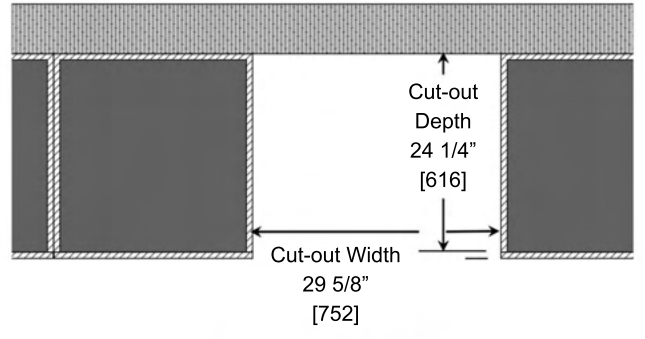
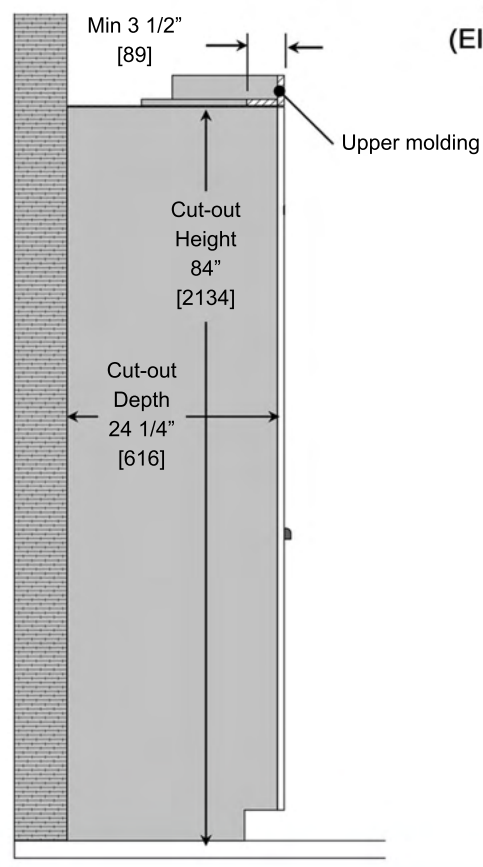




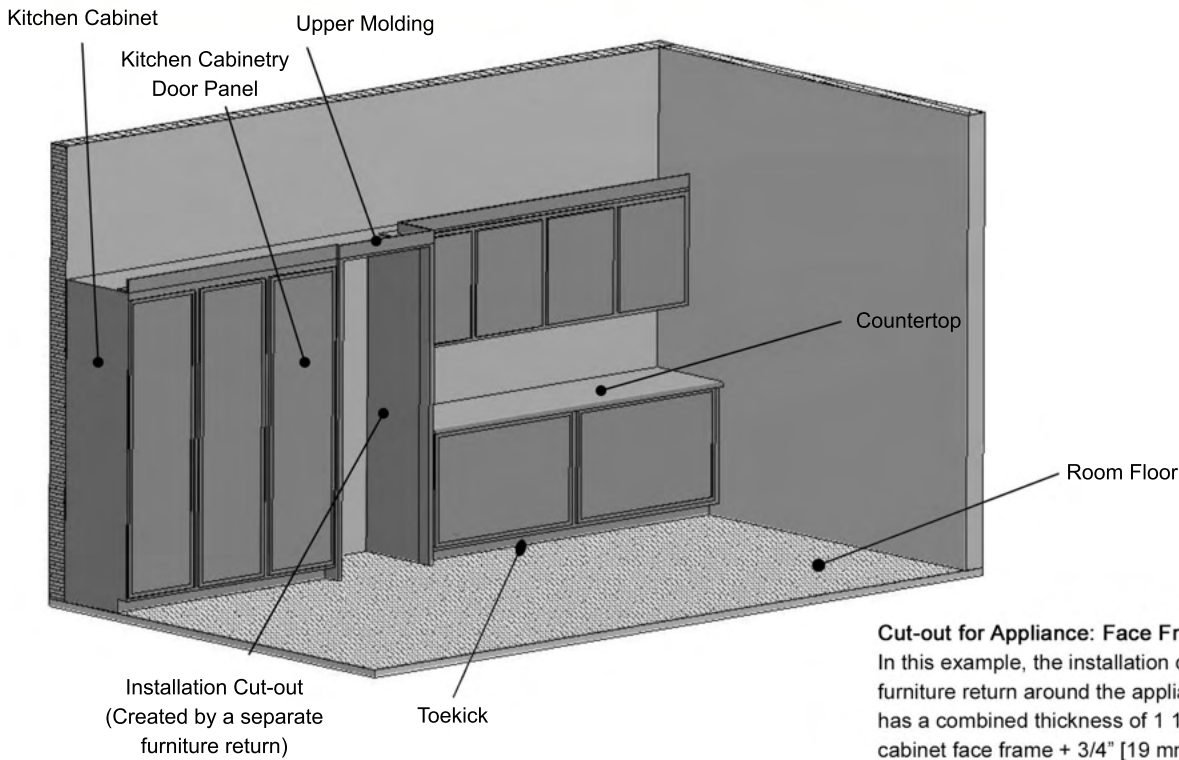
Cut-out for Appliance: Frameless (European) Cabinetry
 In this example, the installation cut-out is formed by simply leaving a gap between two adjacent kitchen cabinets. The custom door panel 3/4" [19 mm] will be identical in appearance and thickness to the surrounding kitchen cabinetry panels.

- Cut-out (case) depth is 24 1/4" [616 mm] - does not include door panel
- Top and side walls of cut-out interior are completely flush, made of solid material and at least 3 1/2" [89 mm] deep.

Installation Cut-out (Elevation Section View)



Installation Cut-out (Plan View)

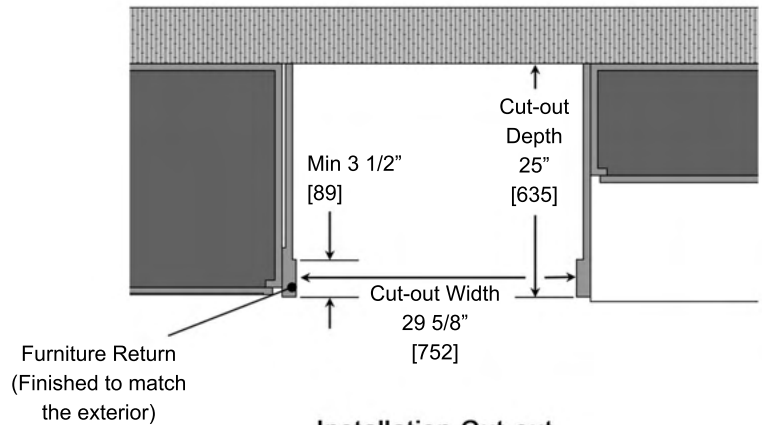
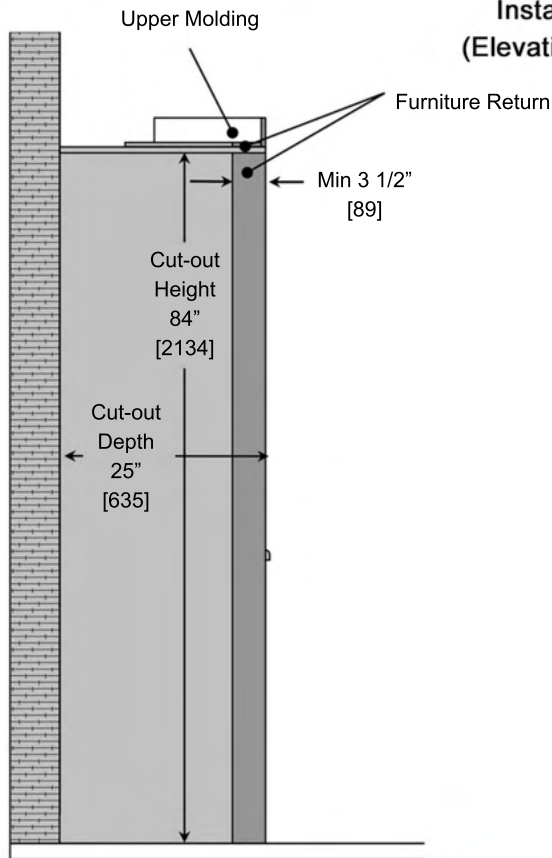


Cut-out for Appliance: Face Frame Cabinetry

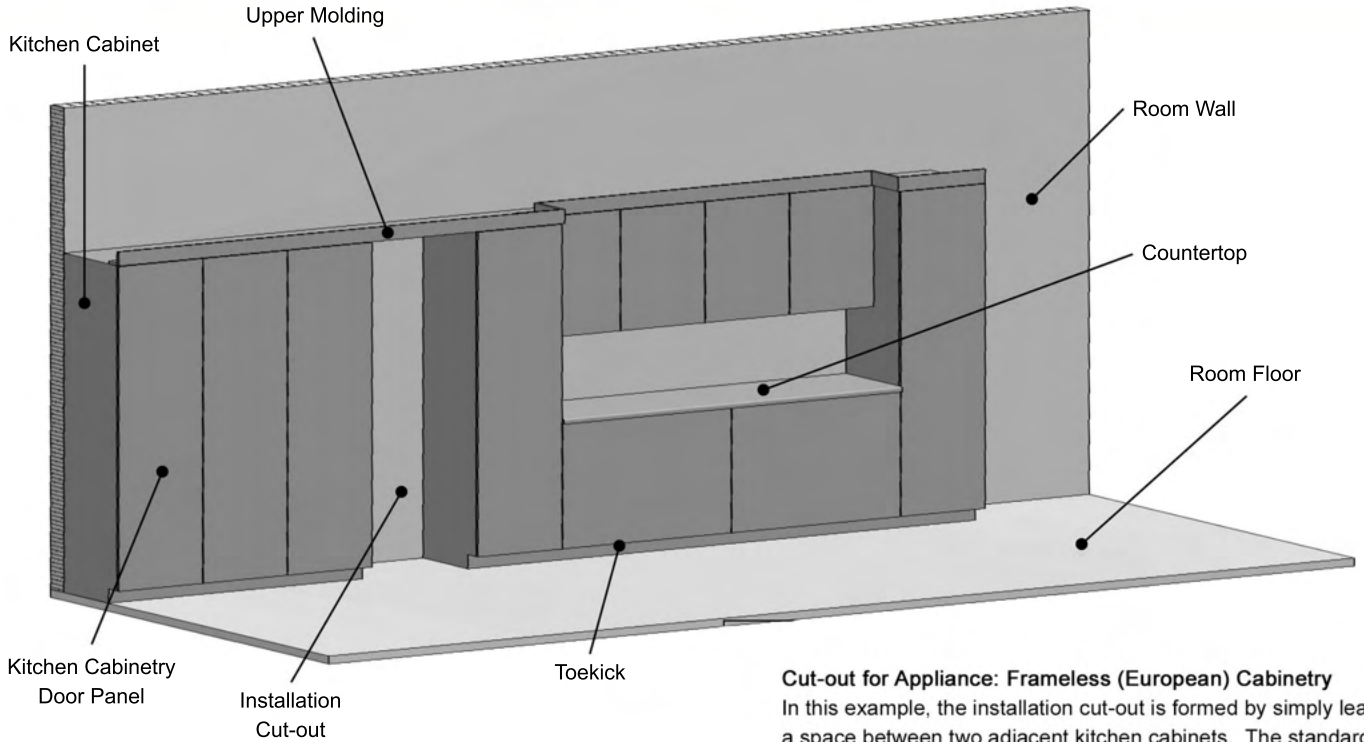
In this example, the installation cut-out is formed by creating a separate furniture return around the appliances. The kitchen cabinet door panel has a combined thickness of 1 1/2" [38 mm], 3/4" [19 mm] emulating the cabinet face frame + 3/4" [19 mm] for the actual door panel. A 25" [635 mm] deep installation cut-out is required.

- Cut-out (case) depth is 25" [635 mm] due to 1 1/2" [38 mm] combined kitchen cabinet face frame panel & cabinet door thickness.
- Any furniture return must be at least 3 1/2" [89 mm] deep, on interior top and sides, of solid material and should be finished to match exterior.

Installation Cut-out (Elevation Section View)

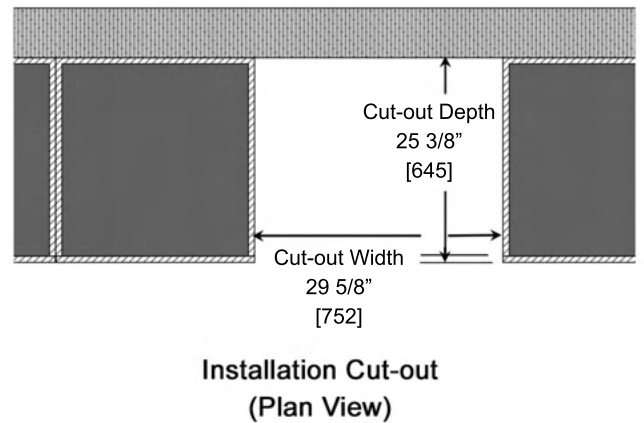
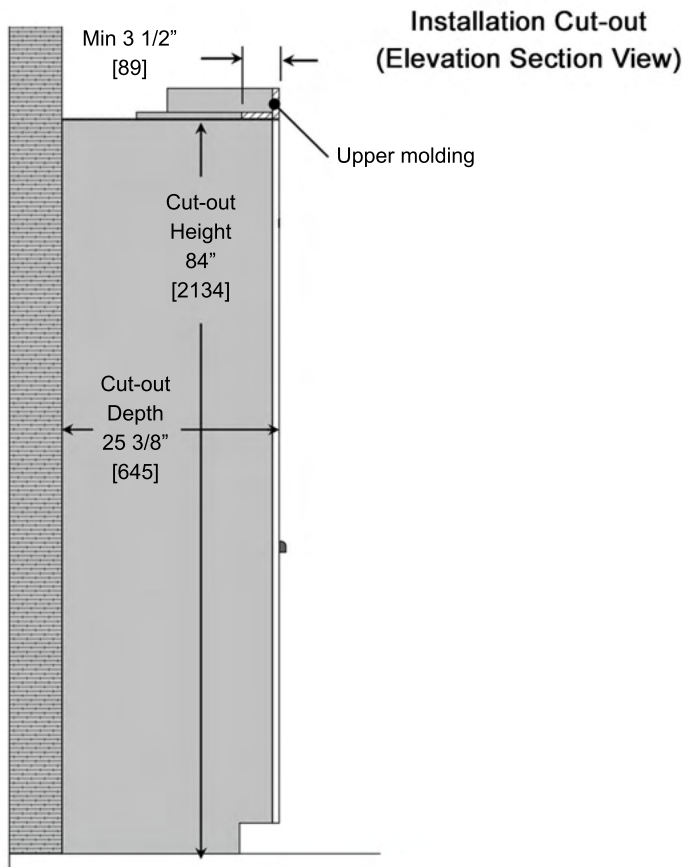


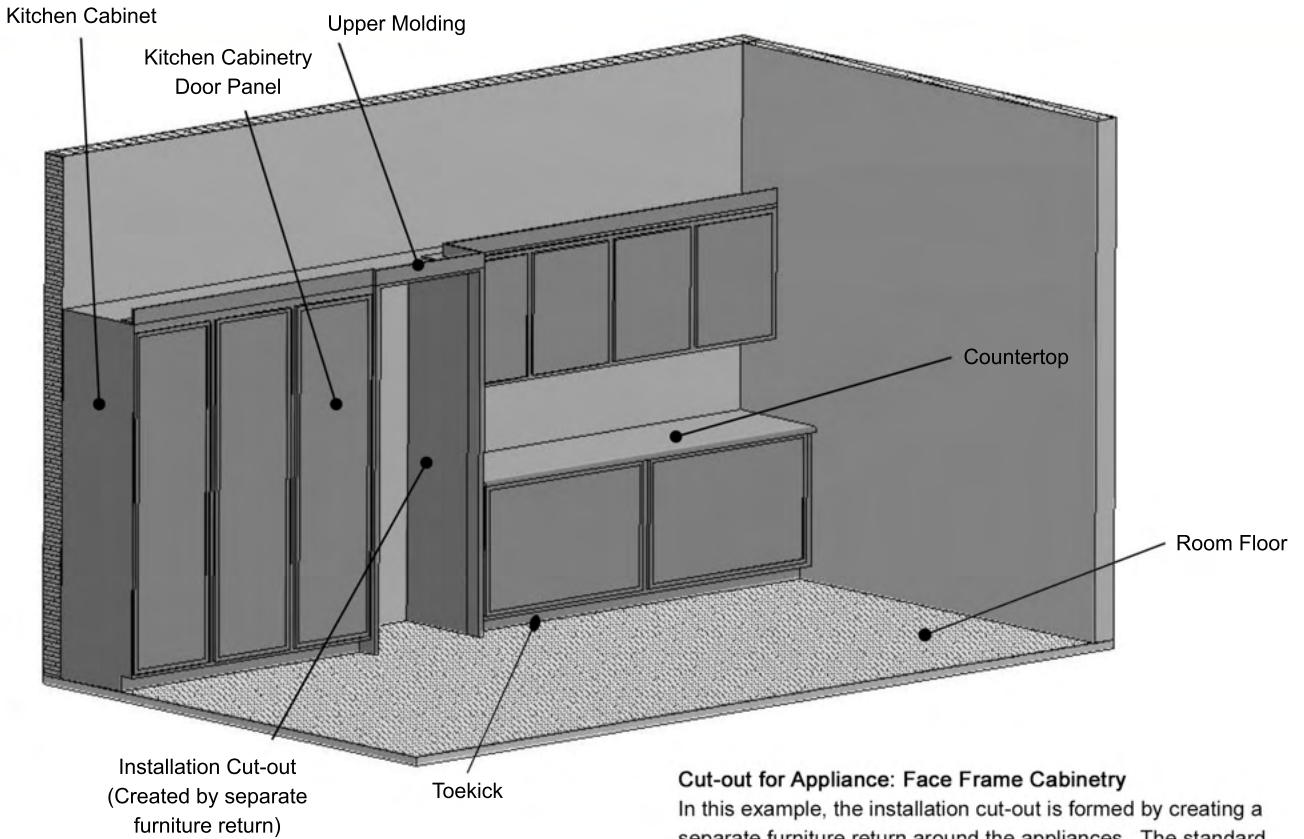
Installation Cut-out (Plan View)



Cut-out for Appliance: Frameless (European) Cabinetry
 In this example, the installation cut-out is formed by simply leaving a space between two adjacent kitchen cabinets. The standard door panel requires a 25 3/8" installation cut-out depth for a flush install.

- Top and side walls of cut-out interior should be completely flush, made of solid material and finished to a depth of at least 3 1/2" from the front edge.



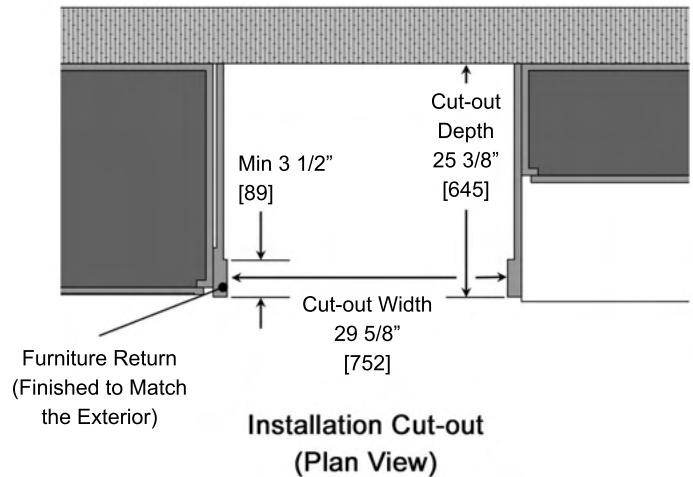
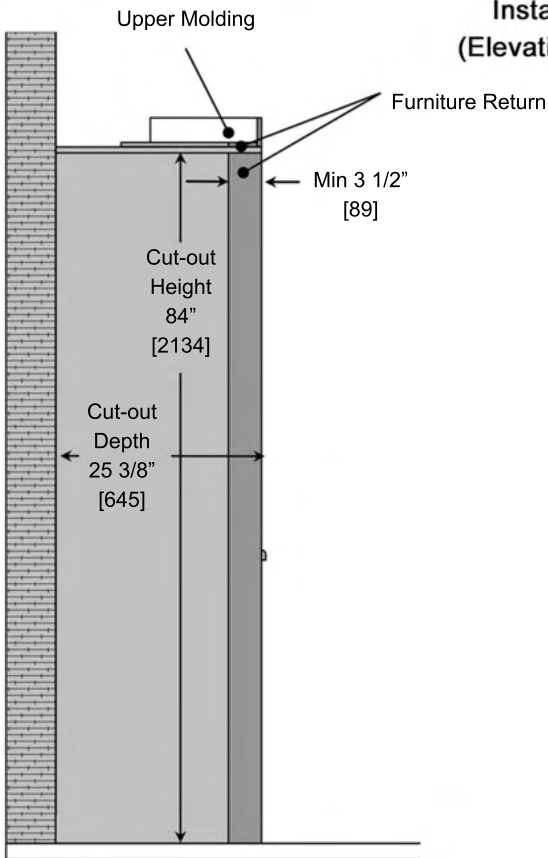


Cut-out for Appliance: Face Frame Cabinetry

In this example, the installation cut-out is formed by creating a separate furniture return around the appliances. The standard door panel requires a 25 3/8" installation cut-out depth for a flush fit.

- Top and side walls of cut-out interior are completely flush, made of solid material and at least 3 1/2" [89 mm] deep.

**Installation Cut-out
(Elevation Section View)**



The NEW Freezer Column has been designed to offer exceptional food preservation, maximum storage & unmatched options for kitchen design and flexibility. With industry-leading capacity these integrated columns are perfect for every home kitchen.

PRODUCT FEATURES:

- Over-sized 12.64 cu. ft. capacity
- Stainless steel & glass interiors
- Available in panel-ready, pro-style stainless steel or your choice of 1,000+ colors, all with flush installation
- Automatic ice maker with Super Ice function
- Easy-to-use touch control panel
- Extra-bright LED lighting
- Stainless steel full extension drawers
- Iron Clad Warranty: 2 years (full), 5 years (sealed system parts & labor) and 13 years (sealed system parts)
- Side by side kits included with all freezer models.

CONFIGURATIONS:

Right Swing Models:

BIFP24R0	Panel Ready
BIF24R0	Stainless Steel Standard Trim
BIF24R0PLT	Stainless Steel Plated Trim
BIF24R0C	Standard RAL Color Standard Trim
BIF24R0CPLT	Standard RAL Color Plated Trim
BIF24R0CF	Specialty Finish Standard Trim
BIF24R0CFPLT	Speciality Finish Plated Trim
BIF24R0CC	Custom Color Standard Trim
BIF24R0CCPLT	Custom Color Plated Trim



Model: BIFP24R0



Model: BIF24R0



Model: BIF24R0CPLT

SPECIFICATIONS:

Dimensions:

- Standard Door: 83 1/2"H x 23 5/8"W x 25 1/4"D
- Panel Ready: 83 1/2"H x 23 5/8"W x 24 1/4"D
- * Overall depth does not include panel depth
- * Width includes connector brackets

Electrical Requirements: 115V, 60Hz, 15 AMP Circuit
(Unit must be on a Non-GFI, dedicated outlet)

Water Pressure: 35 - 120psi

Unit Capacity: 12.64 cu. ft.

Weight: 364 lbs.

Left Swing Models:

BIFP24L0	Panel Ready
BIF24L0	Stainless Steel Standard Trim
BIF24L0PLT	Stainless Steel Plated Trim
BIF24L0C	Standard RAL Color Standard Trim
BIF24L0CPLT	Standard RAL Color Plated Trim
BIF24L0CF	Specialty Finish Standard Trim
BIF24L0CFPLT	Speciality Finish Plated Trim
BIF24L0CC	Custom Color Standard Trim
BIF24L0CCPLT	Custom Color Plated Trim

INSTALLATION DIMENSIONS: PANEL READY MODELS

- (A) Recommended cut-out height 83 1/2" - 84"
- (B) Dimensions shown are with rollers in minimum position as shipped.
Unit can be raised 1" max.
- (C) Cut-out must have a finished return of at least 3 1/2" from the front.

Notes:

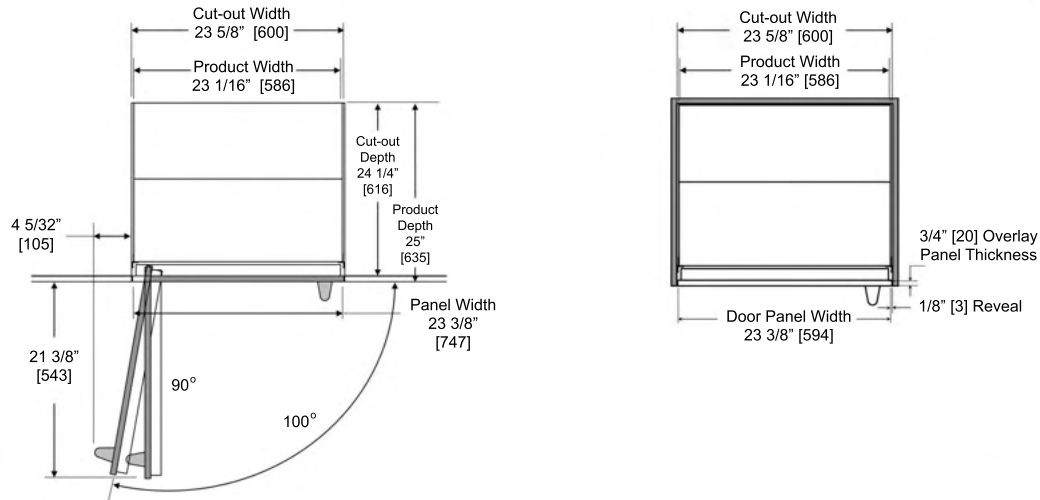
- Dimensions shown in [] are in millimeters.
- Product depth does not include 3/4" custom panel depth
- Cut-out dimensions are for frameless cabinet installations. Refer to column refrigeration design guide for face frame cabinet cut-out dimensions.

Installation Dimensions:

24" Panel Ready Freezer - Left Swing

Applicable Models:

- BIRFP24L0

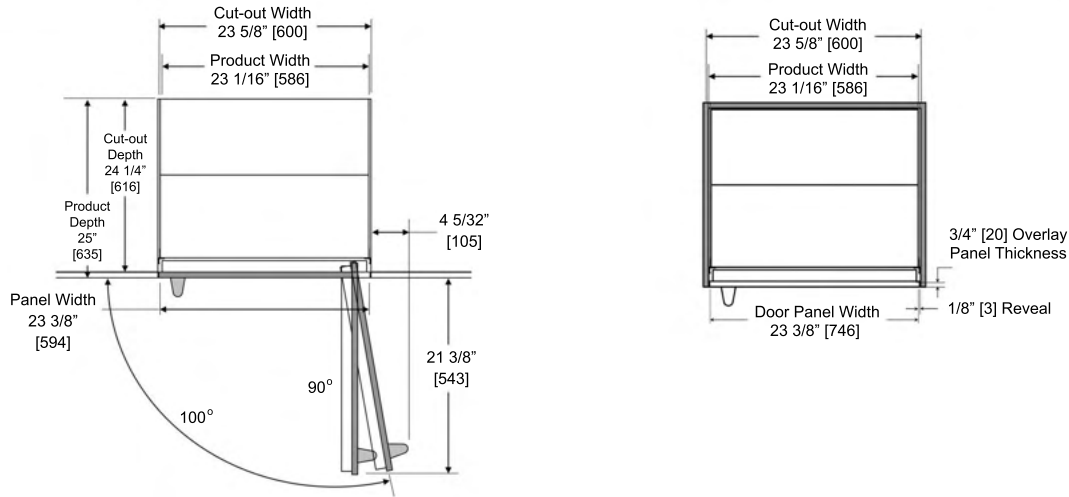


Installation Dimensions:

24" Panel Freezer - Right Swing

Applicable Models:

- BIFP24R0



Installation Dimensions:

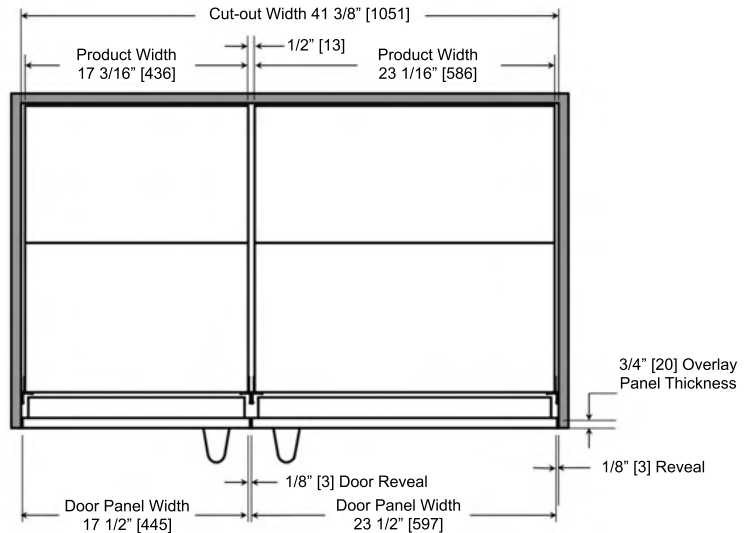
24" Panel Ready Freezer & 18" Panel Ready Freezer

Applicable Models:

- BIFP24
- BIFP18

Dimensions apply to the following model combinations:

- 18" Unit Left Hinge and 24" Unit Right Hinge
- 24" Unit Left Hinge and 18" Unit Right Hinge



INSTALLATION DIMENSIONS: PANEL READY MODELS

- (A) Recommended cut-out height 83 1/2" - 84"
- (B) Dimensions shown are with rollers in minimum position as shipped.
Unit can be raised 1" max.
- (C) Cut-out must have a finished return of at least 3 1/2" from the front.

Notes:

- Dimensions shown in [] are in millimeters.
- Cut-out dimensions are for frameless cabinet installations. Refer to column refrigeration design guide for face frame cabinet cut-out dimensions.

Installation Dimensions:

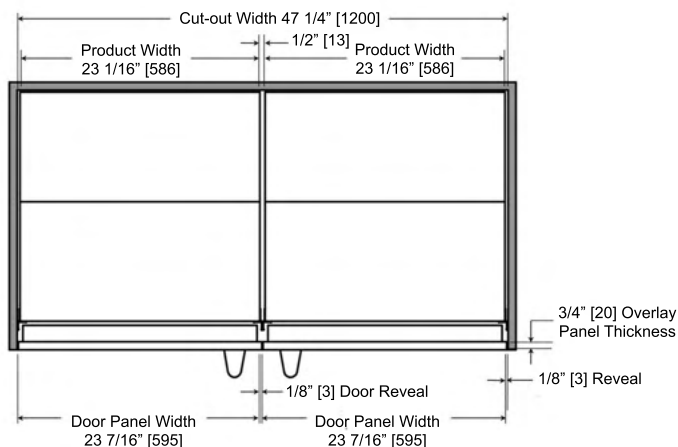
**24" Panel Ready Freezer
& 24" Panel Ready Refrigerator**

Applicable Models:

- BIFP24
- BIRP24

Dimensions apply to the following model combinations:

- 24" Unit Left Hinge and 24" Unit Right Hinge
- 24" Unit Left Hinge and 24" Unit Right Hinge



Installation Dimensions:

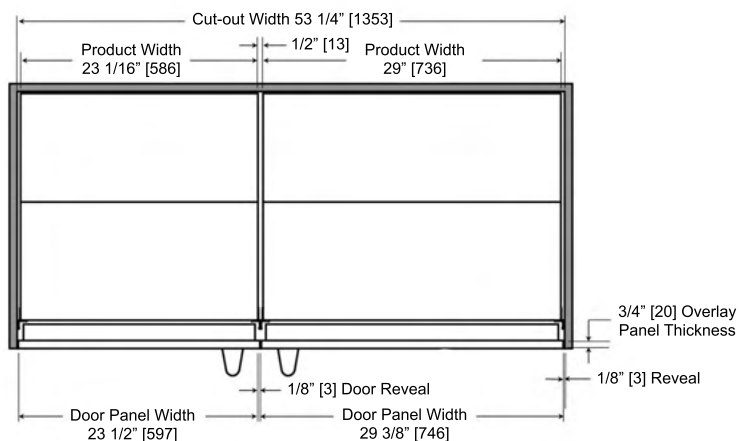
**24" Panel Ready Freezer
& 30" Panel Ready Refrigerator**

Applicable Models:

- BIFP24
- BIRP30

Dimensions apply to the following model combinations:

- 24" Unit Left Hinge and 30" Unit Right Hinge
- 30" Unit Left Hinge and 24" Unit Right Hinge

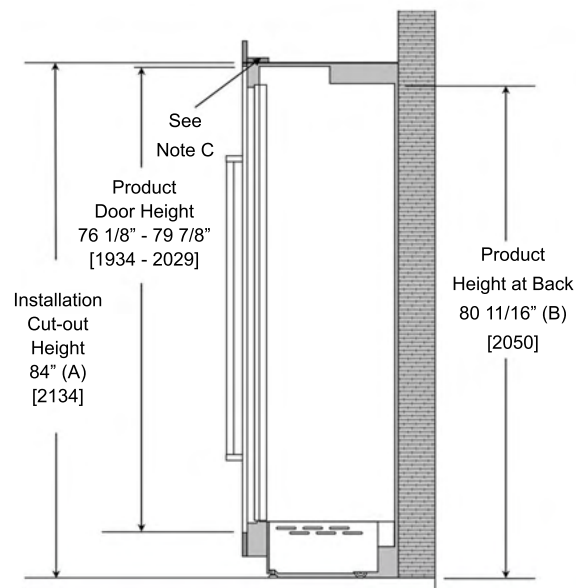


Installation Dimensions:

18", 24" & 30" Models with Panel Ready Door

Notes: Dimensions shown in [] are in millimeters

- (A) Recommended cut-out height 83 1/2" - 84"
- (B) Dimensions shown are with rollers in minimum position as shipped.
Units can be raised 1" max.
- (C) Cut-out must have a finished return of at least 3 1/2" from the front.



INSTALLATION DIMENSIONS: STANDARD DOOR MODELS

- (A) Cut-out must have a finished return of at least 3 1/2" from the front
- (B) Standard Door Installation: Cut-out must be a minimum depth of 25 3/8" [645] for a flush door installation. Cut-out must be minimum depth of 23 1/4" [591] to cover the sides of the unit.

Notes:

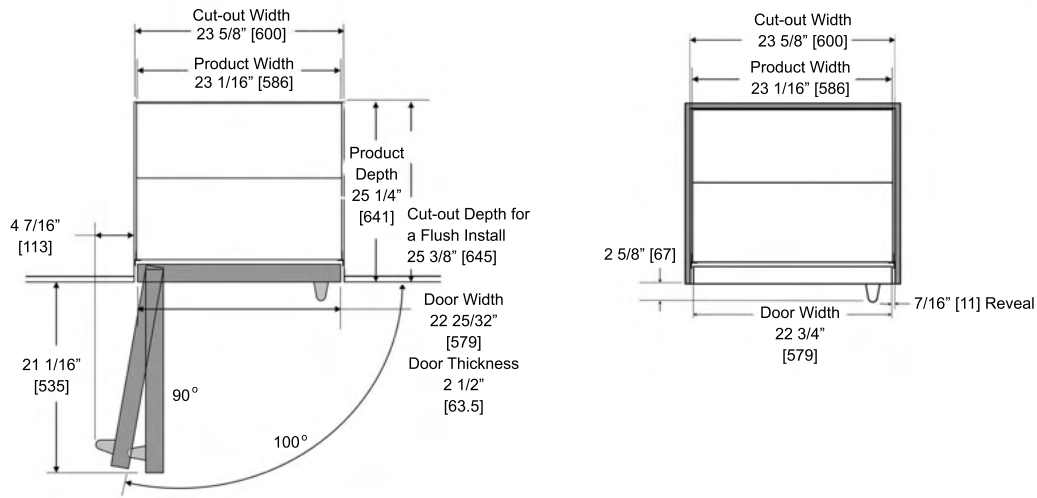
- Except where noted, dimensions shown are from cut-out to refrigerator.
- Dimensions shown in [] are in millimeters.
- Cut-out dimensions are for frameless cabinet installations. Refer to column refrigeration design guide for face frame cabinet cut-out dimensions.

Installation Dimensions:

24" Freezer - Left Swing

Applicable Models:

- All BIF24L0 Models

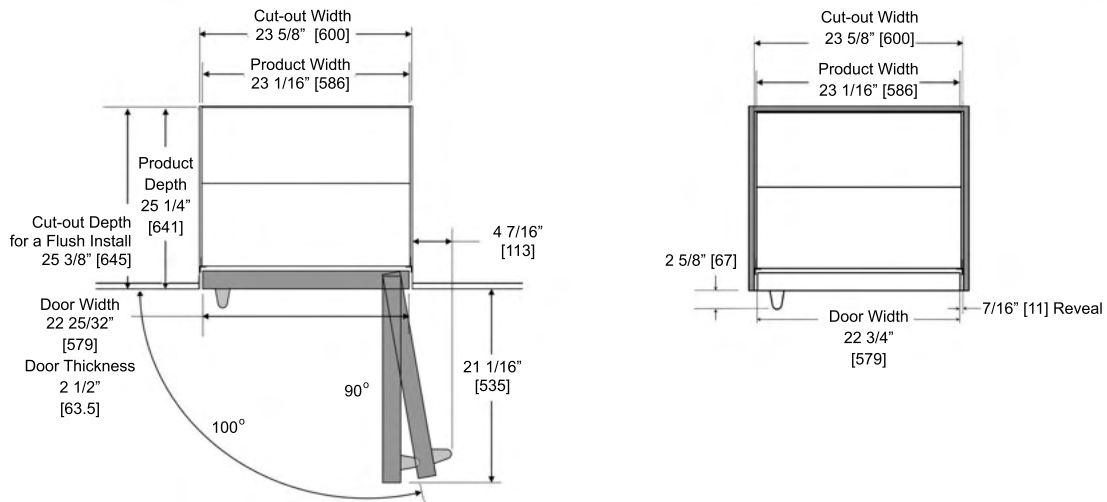


Installation Dimensions:

24" Freezer - Right Swing

Applicable Models:

- All BIF24R0 Models



Installation Dimensions:

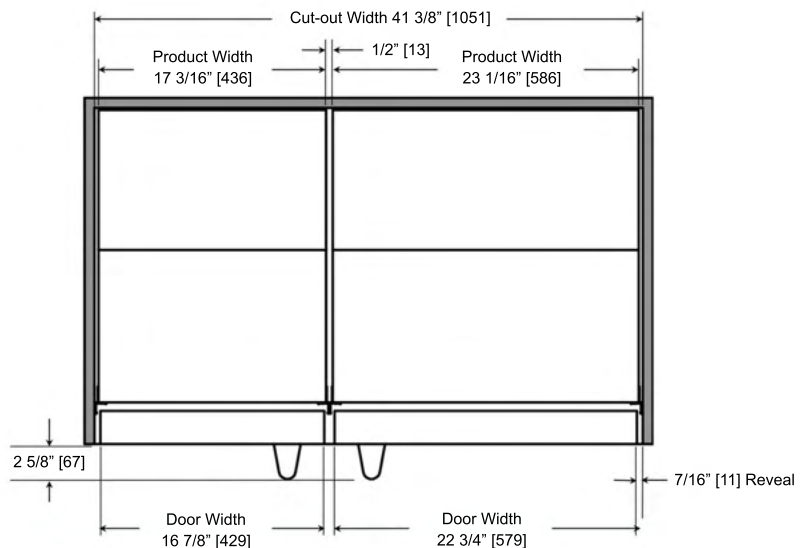
24" Freezer & 18" Freezer

Applicable Models:

- All BIF24 Models
- All BIF18 Models

Dimensions apply to the following model combinations:

- 18" Unit Left Hinge and 24" Unit Right Hinge
- 24" Unit Left Hinge and 18" Unit Right Hinge



INSTALLATION DIMENSIONS: STANDARD DOOR MODELS

- (A) Cut-out must have a finished return of at least 3 1/2" from the front
- (B) Standard Door Installation: Cut-out must be a minimum depth of 25 3/8" [645] for a flush door installation. Cut-out must be minimum depth of 23 1/4" [591] to cover the sides of the unit.

Notes:

- Except where noted, dimensions shown are from cut-out to refrigerator.
- Dimensions shown in [] are in millimeters.
- Cut-out dimensions are for frameless cabinet installations. Refer to column refrigeration design guide for face frame cabinet cut-out dimensions.

Installation Dimensions:

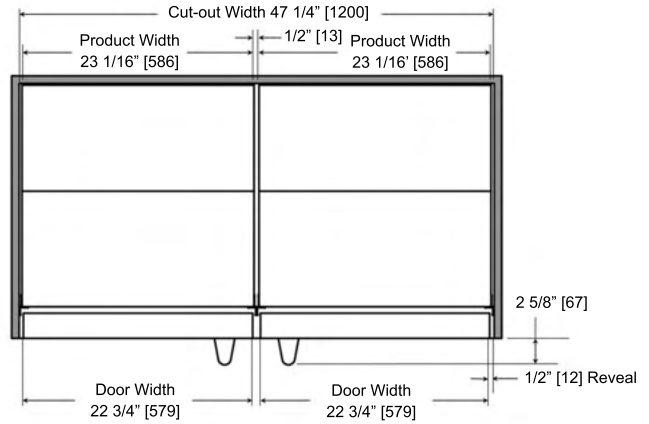
24" Refrigerator & 24" Freezer

Applicable Models:

- All BIR24 Models
- All BIF24 Models

Dimensions apply to the following model combinations:

- 24" Unit Left Hinge and 24" Unit Right Hinge
- 24" Unit Left Hinge and 24" Unit Right Hinge



Installation Dimensions:

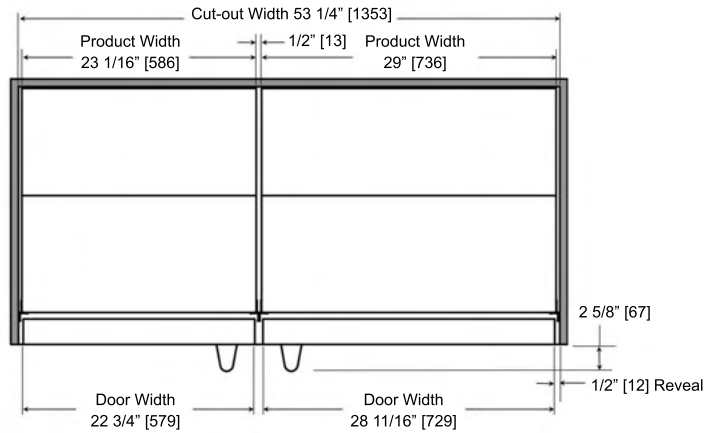
24" Freezer & 30" Refrigerator

Applicable Models:

- All BIF24 Models
- All BIR30 Models

Dimensions apply to the following model combinations:

- 24" Unit Left Hinge and 30" Unit Right Hinge
- 30" Unit Left Hinge and 24" Unit Right Hinge

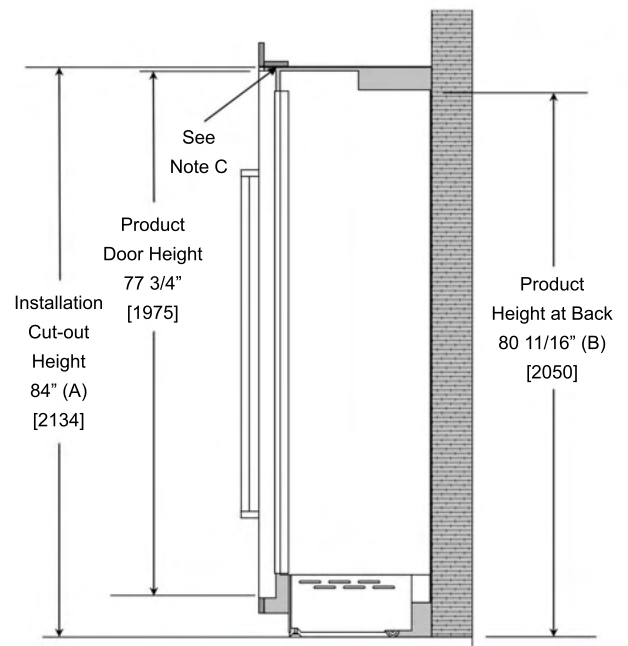


Installation Dimensions:

18", 24" & 30" Models with Standard Door

Notes: Dimensions shown in [] are in millimeters

- (A) Recommended cut-out height 83 1/2" - 84"
- (B) Dimensions shown are with rollers in minimum position as shipped. Units can be raised 1" max.
- (C) Cut-out must have a finished return of at least 3 1/2" from the front.



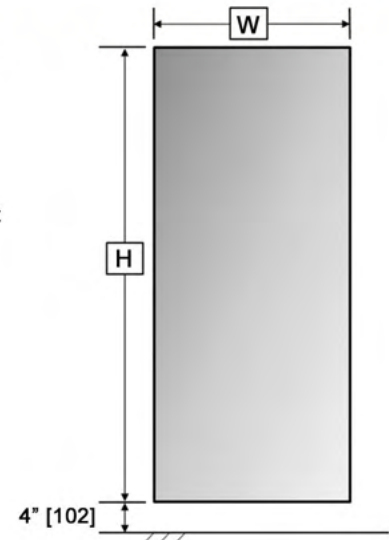
PANEL & TOEKICK DETAIL: PANEL READY MODELS

PANEL DETAIL:

Each panel-ready BlueStar Column appliance is designed to be equipped with a decorative door panel. The table below illustrates the dimensions to be used as a guide in creating custom panels. At 79 7/8" (2029 mm) tall, they are designed for a toekick height of 4" (102 mm), and a total cutout height of 84" (2134 mm) yielding 1/8" (3 mm) reveals. At 3/4" (19 mm) deep, they are designed to attach to the 24 1/4" (616 mm) deep appliance for an overall depth of 25" (635 mm). Maximum allowed panel thickness is 1-1/8" (29 mm).

If the cabinet panels to be installed on panel ready units are of a rail and stile panel design, the location of mounting bracket hardware must still be 3/4" thick. A minimum vertical stile width of 3" on either side edge of the panel is recommended.

Description	H	W (1)	W (2)	Max. Panel Weight
24" Single Column	79 7/8" [2029]	23 3/8" [594]		75 lb each (34 kg)
24" & 18" Joined Columns	79 7/8" [2029]	17 1/2" [445]	23 1/2" [597]	75 lb each (34 kg)
24" & 24" Joined Columns	79 7/8" [2029]	23 7/16" [595]	23 7/16" [595]	75 lb each (34 kg)
24" & 30" Joined Columns	79 7/8" [2029]	23 1/2" [597]	29 3/8" [746]	75 lb each (34 kg)



TOE KICK GRILL:

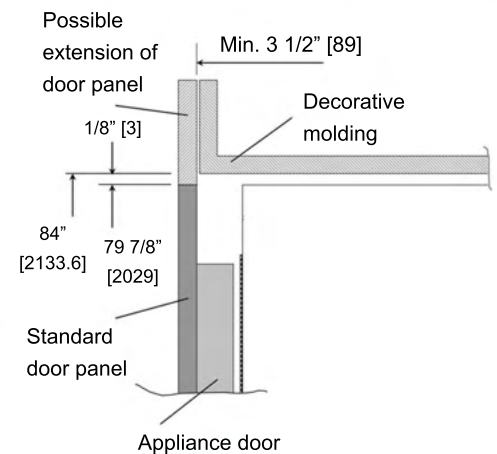
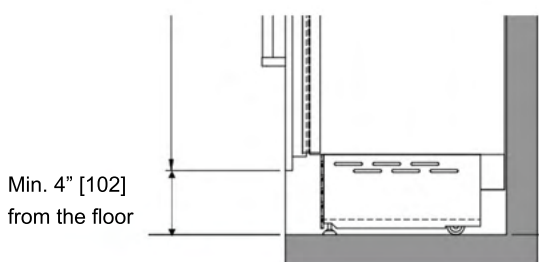
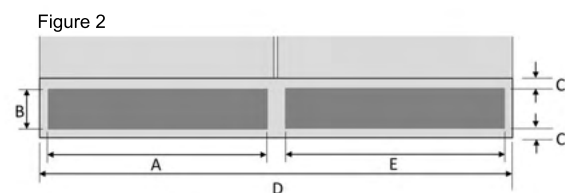
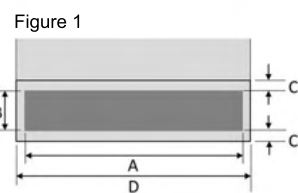
A forced air system assures ventilation through a grill positioned in the lower front part of the unit. Each BlueStar Column comes with a 8-1/2" (216 mm) high stainless steel grill. A custom-made toe kick that matches the surrounding cabinetry may be applied instead. It must be designed to maintain a satisfactory air flow, as described in the drawing below.

Important:

Please recall that a panel should be installed at a minimum height of 4" (102 mm) from the floor to allow proper ventilation of the appliance. If required by the surrounding cabinetry design, the distance between the bottom edge of the door panel and the floor can be increased from approx. 4" (102 mm) up to 7-3/4" (197 mm) but should not be decreased. The minimum height of the custom door panel on the refrigerator above must be 76 1/8" high in order to conceal the actual door of the unit.

If using a custom Toe Kick Grill, the Toe Kick Grill must allow for a minimum open area of at least 50% of the area defined by the dimensions "A" / "E" and "B" below. The custom Toe Kick Grill may be attached using a fastening method deemed appropriate by the cabinet manufacturer/installer. Note: The Toe Kick Grill must provide adequate airflow as outlined above in order to ensure proper functionality of the appliance. It is imperative that the Toe Kick Grill remain unblocked to ensure proper functionality of the appliance and should be removable to allow for servicing and condenser cleaning.

	Figure 1	Figure 2		
	24"	24" + 18"	24" + 24"	24" + 30"
A	22" [559]	16 1/8" [410]	22" [559]	22" [559]
B	> 4" [100]			
C	3/8" [10]			
D	23 3/8" [594]	41 1/8" [1044]	47" [1194]	53" [1346]
E		22" [559]	22" [559]	27 15/16" [710]

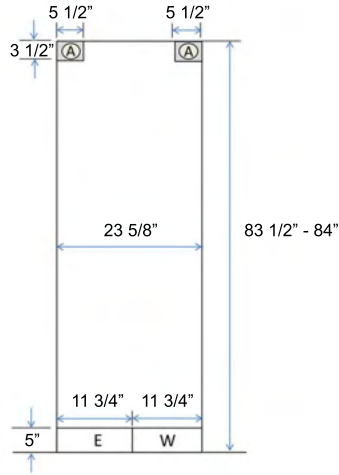


SITE PREPARATION GUIDE

- Electrical:** The electrical outlet should be located in the area marked "E" and must be on a dedicated non-GFI 115V, 60Hz, 15 Amp circuit and accept a three-prong grounding plug.
- Plumbing:** The water line should be located in the area marked "W". Connect the water line to the house water supply with an easily accessible shut-off valve.
- Mounting:** "A" equals area to be left clear for anti-tip brackets. In addition, the plastic connecting brackets must be screwed to the cabinets all provided attachment points.

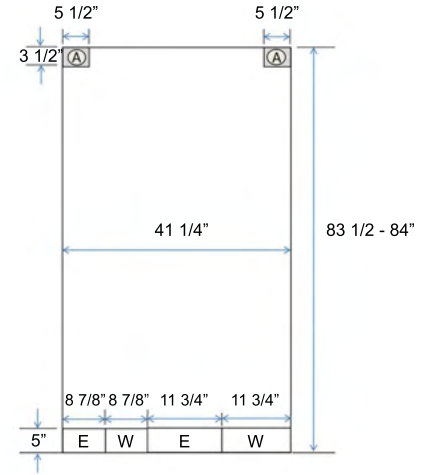
24" Column Freezer

- Model(s):
 - BIF24 models
 - BIFP24 models



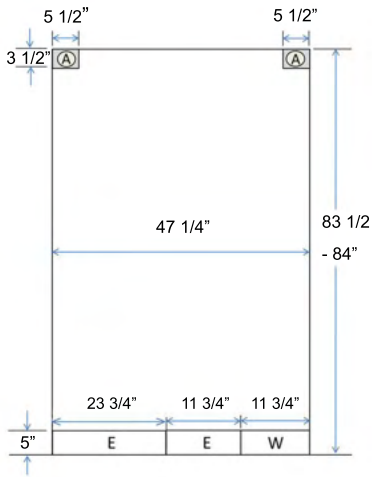
24" Column Freezer & 18" Column Freezer

- Model(s):
 - BIF24 models
 - BIFP24 models
 - BIF18 models
 - BIFP18 models



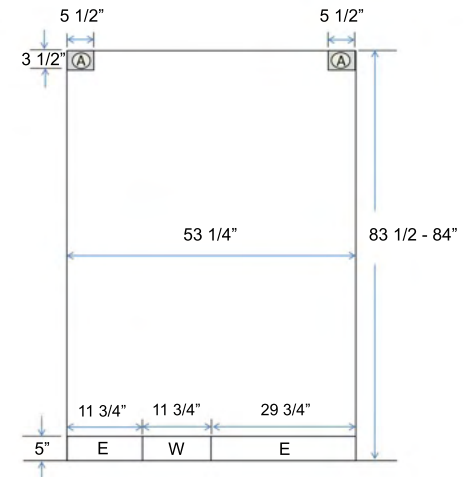
24" Column Freezer & 24" Column Refrigerator

- Model(s):
 - BIF24 models
 - BIFP24 models
 - BIR24 models
 - BIRP24 models

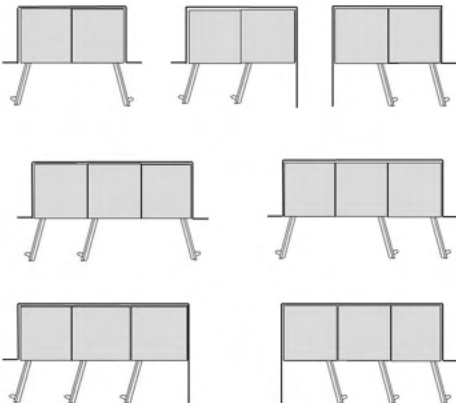


24" Column Freezer & 30" Column Refrigerator

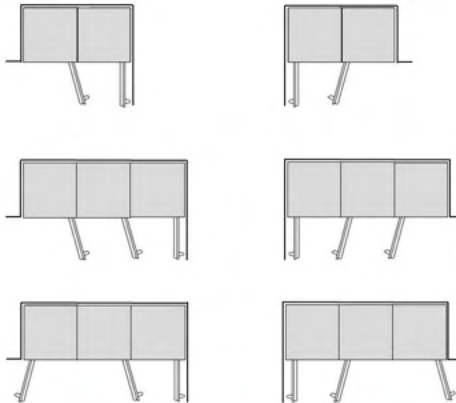
- Model(s):
 - BIR30 models
 - BIRP30 models
 - BIF24 models
 - BIFP24 models



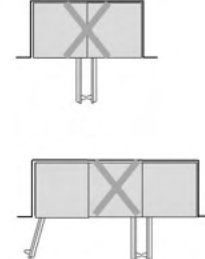
Recommended Installations for Standard Door Swing:

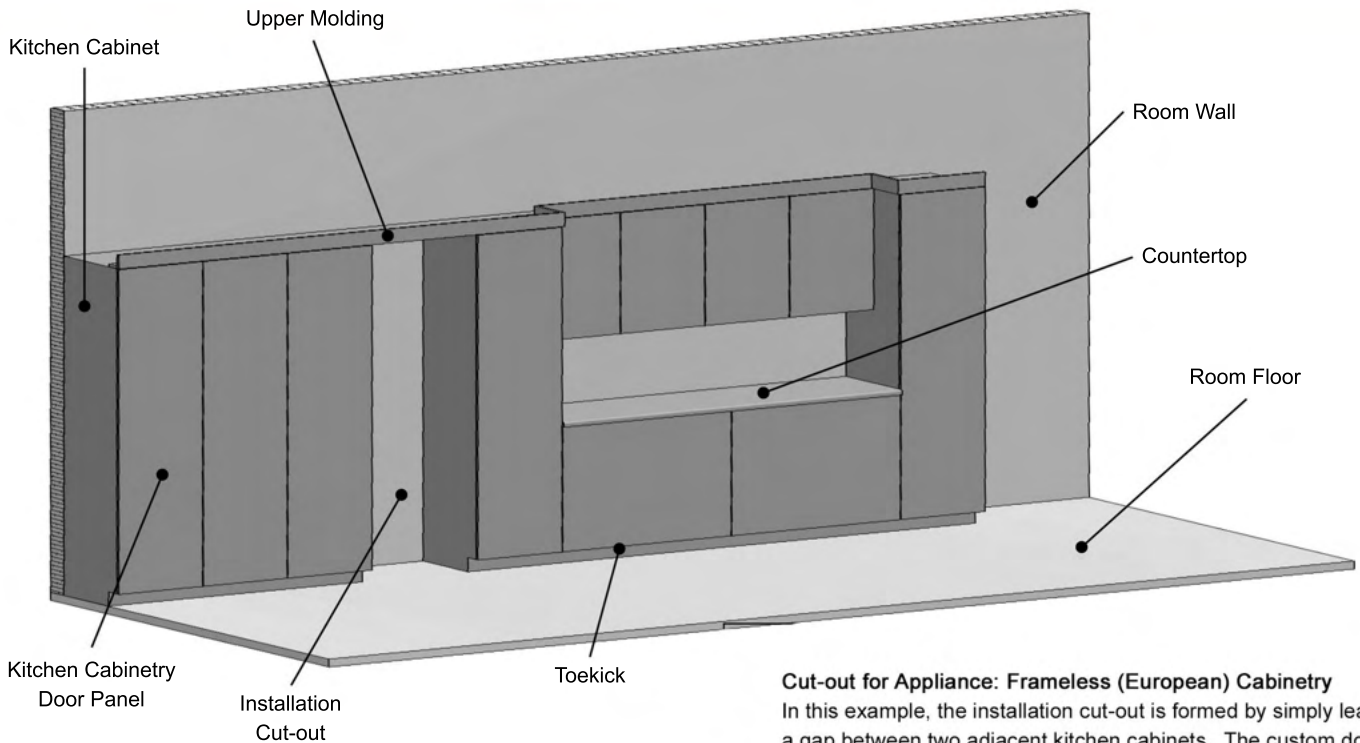


Recommended Installations Requiring 90 Degree Hinges:



Not Recommended Installations:

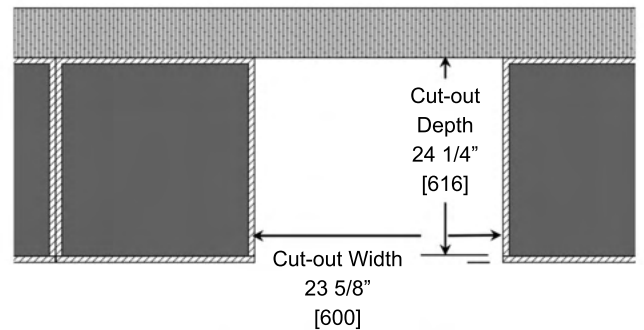
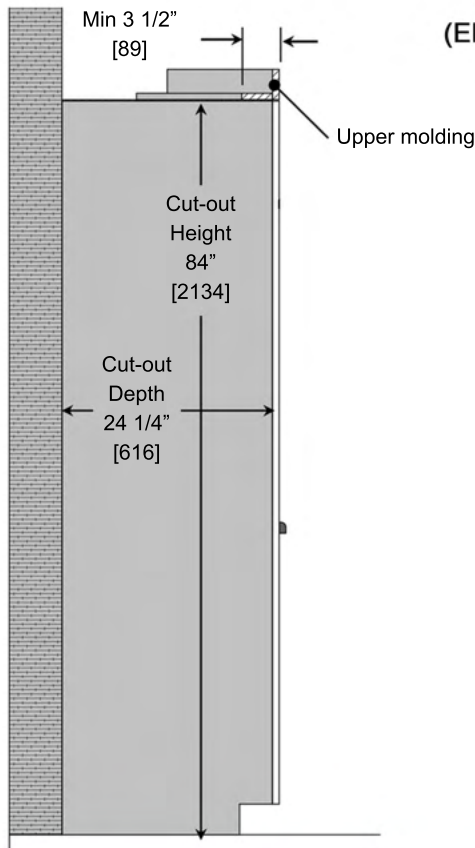




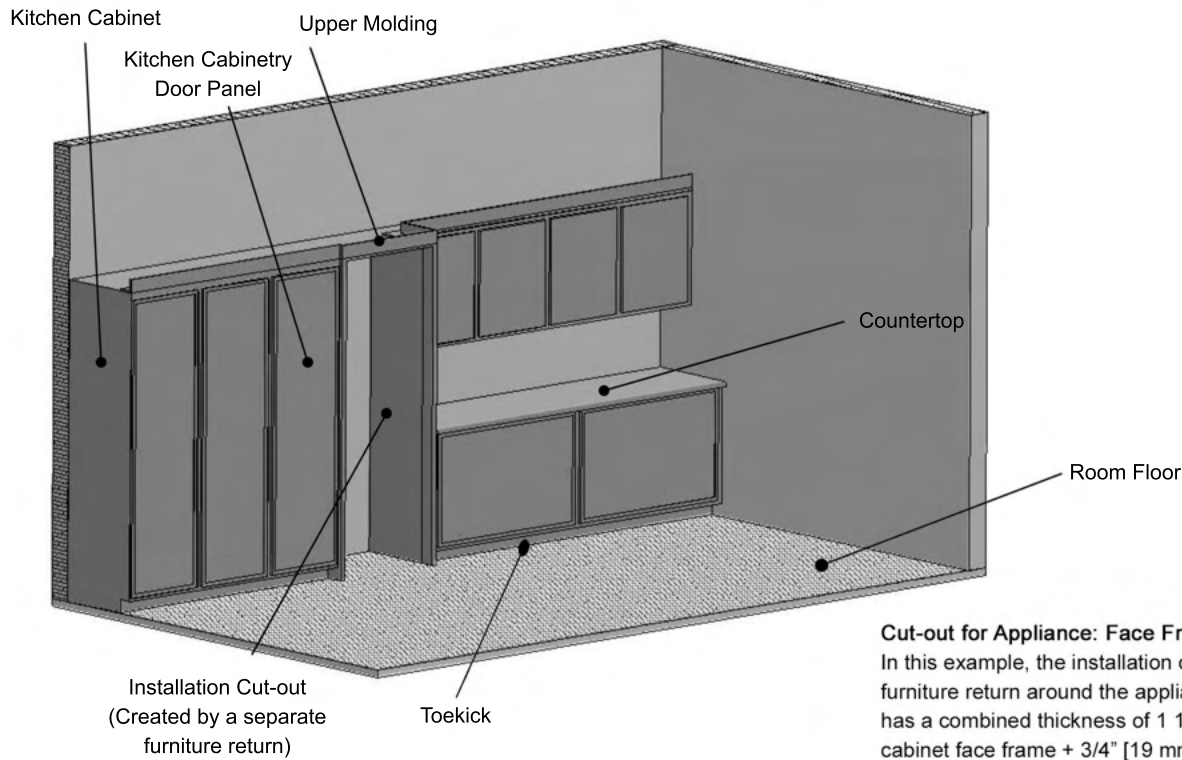
Cut-out for Appliance: Frameless (European) Cabinetry
 In this example, the installation cut-out is formed by simply leaving a gap between two adjacent kitchen cabinets. The custom door panel 3/4" [19 mm] will be identical in appearance and thickness to the surrounding kitchen cabinetry panels.

- Cut-out (case) depth is 24 1/4" [616 mm] - does not include door panel
- Top and side walls of cut-out interior are completely flush, made of solid material and at least 3 1/2" [89 mm] deep.

**Installation Cut-out
(Elevation Section View)**



**Installation Cut-out
(Plan View)**

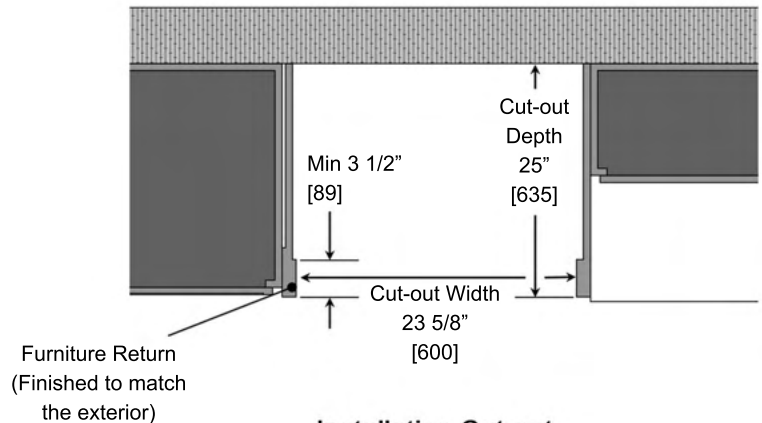
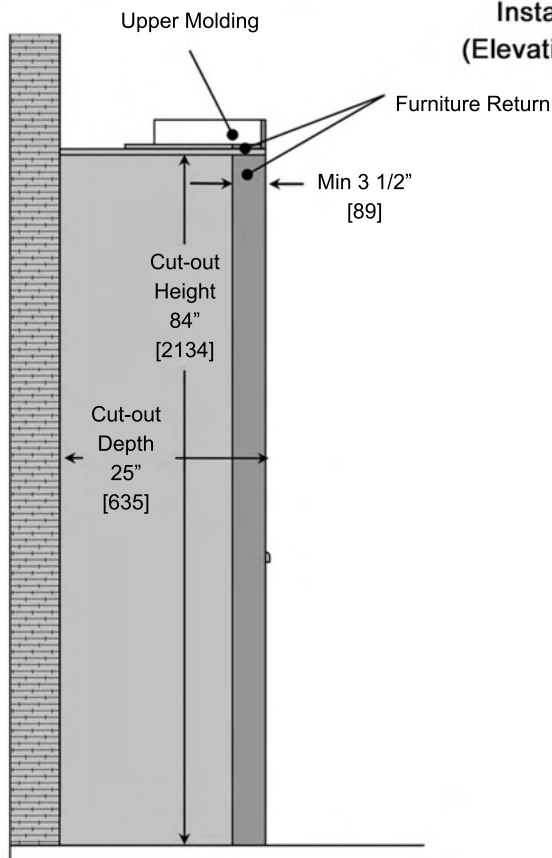


Cut-out for Appliance: Face Frame Cabinetry

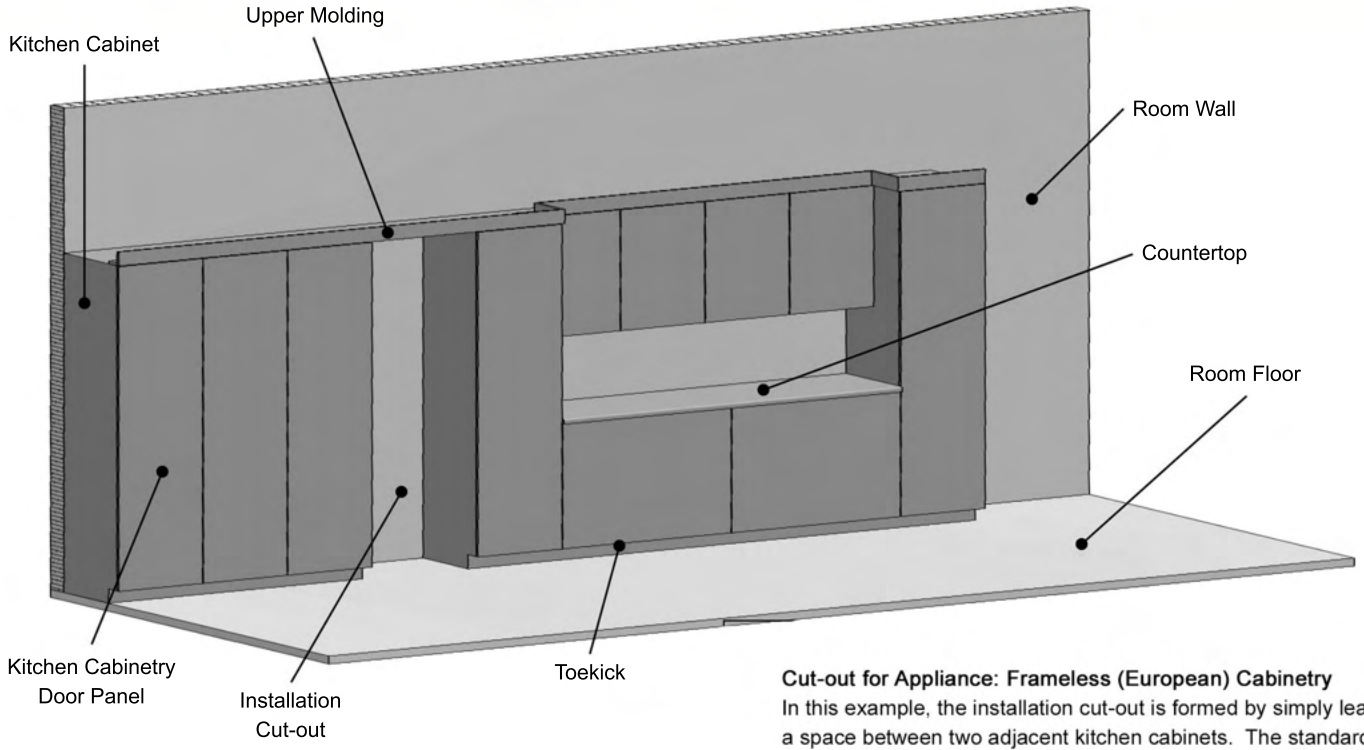
In this example, the installation cut-out is formed by creating a separate furniture return around the appliances. The kitchen cabinet door panel has a combined thickness of 1 1/2" [38 mm], 3/4" [19 mm] emulating the cabinet face frame + 3/4" [19 mm] for the actual door panel. A 25" [635 mm] deep installation cut-out is required.

- Cut-out (case) depth is 25" [635 mm] due to 1 1/2" [38 mm] combined kitchen cabinet face frame panel & cabinet door thickness.
- Any furniture return must be at least 3 1/2" [89 mm] deep, on interior top and sides, of solid material and should be finished to match exterior.

Installation Cut-out (Elevation Section View)

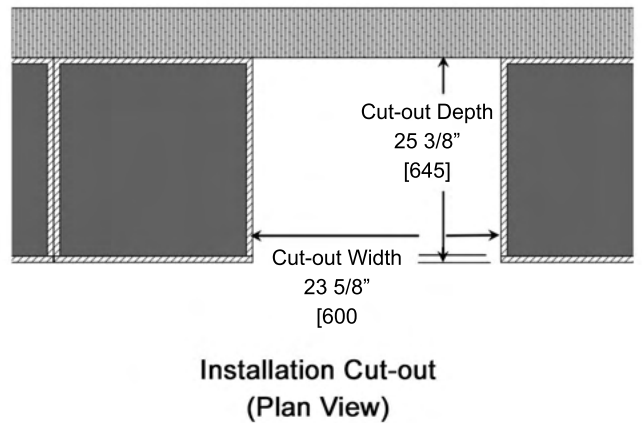
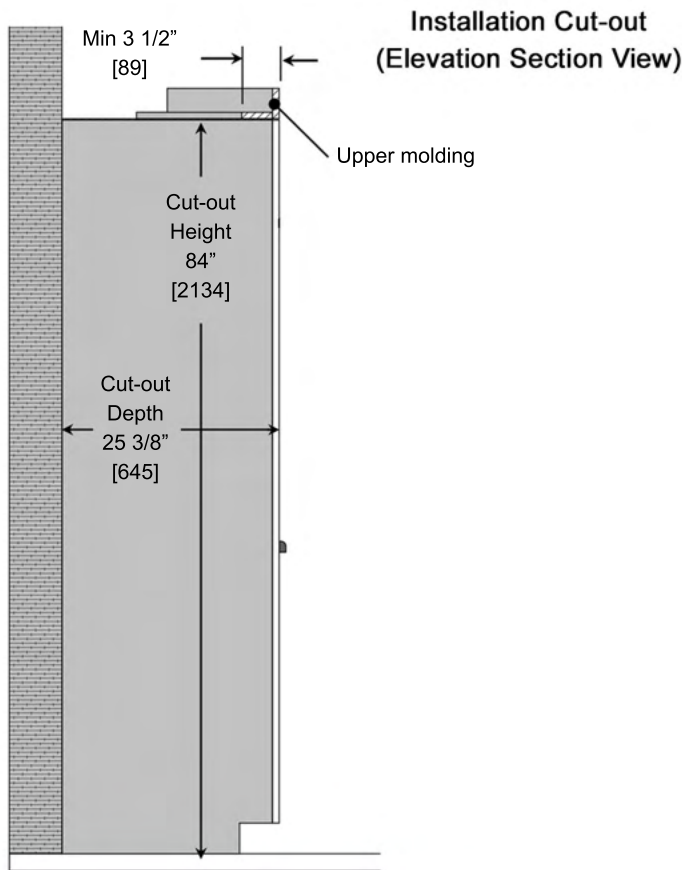


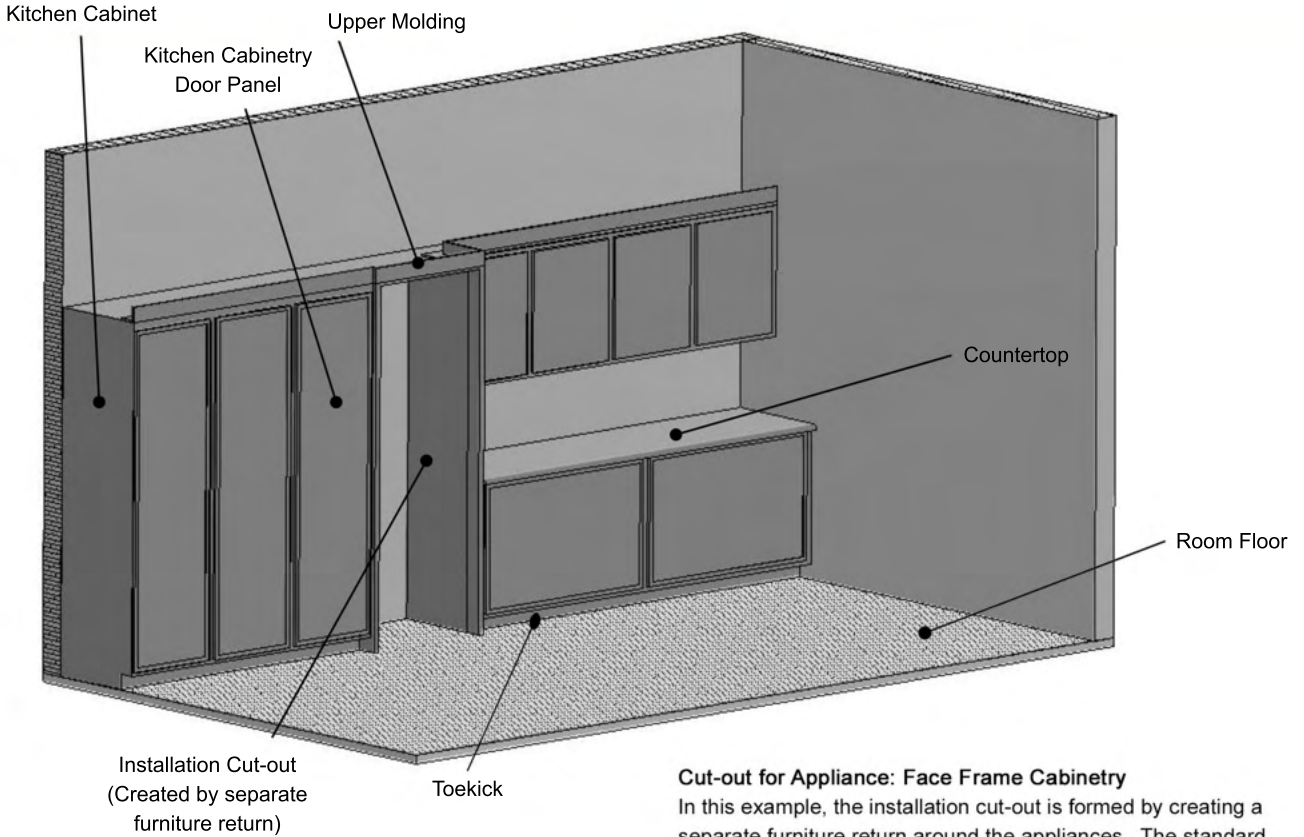
Installation Cut-out (Plan View)



Cut-out for Appliance: Frameless (European) Cabinetry
 In this example, the installation cut-out is formed by simply leaving a space between two adjacent kitchen cabinets. The standard door panel requires a 25 3/8" installation cut-out depth for a flush install.

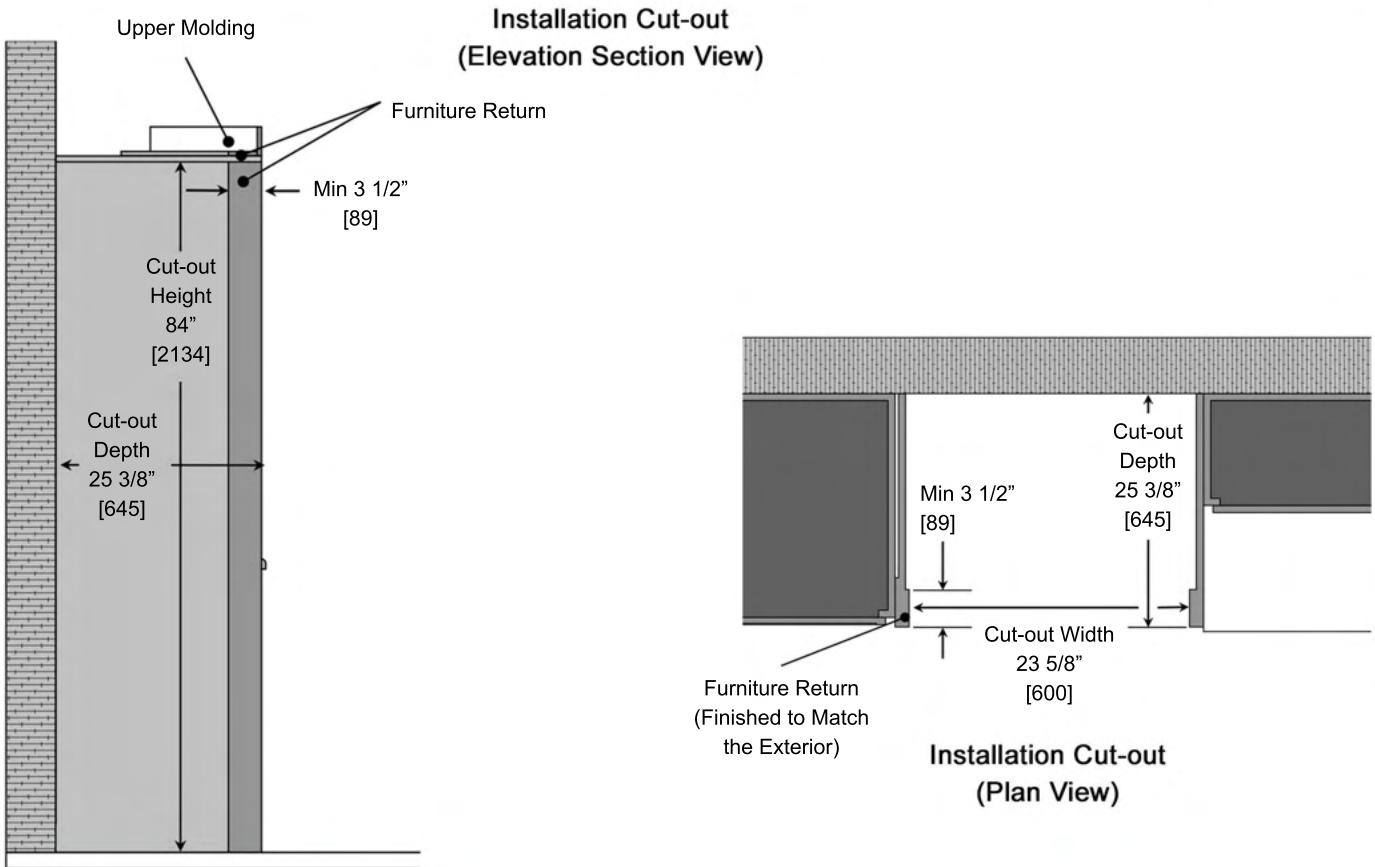
- Top and side walls of cut-out interior should be completely flush, made of solid material and finished to a depth of at least 3 1/2" from the front edge.





Cut-out for Appliance: Face Frame Cabinetry
 In this example, the installation cut-out is formed by creating a separate furniture return around the appliances. The standard door panel requires a 25 3/8" installation cut-out depth for a flush fit.

- Top and side walls of cut-out interior are completely flush, made of solid material and at least 3 1/2" [89 mm] deep.



The NEW Freezer Column has been designed to offer exceptional food preservation, maximum storage & unmatched options for kitchen design and flexibility. With industry-leading capacity these integrated columns are perfect for every home kitchen.

PRODUCT FEATURES:

- Over-sized 8.22 cu. ft. capacity
- Stainless steel & glass interiors
- Available in panel-ready, pro-style stainless steel or your choice of 1,000+ colors, all with flush installation
- Automatic ice maker with Super Ice function
- Easy-to-use touch control panel
- Extra-bright LED lighting
- Stainless steel full extension drawers
- Iron Clad Warranty: 2 years (full), 5 years (sealed system parts & labor) and 13 years (sealed system parts)
- Side by side kits included with all freezer models.

CONFIGURATIONS:

Right Swing Models:

BIFP18R0	Panel Ready
BIF18R0	Stainless Steel Standard Trim
BIF18R0PLT	Stainless Steel Plated Trim
BIF18R0C	Standard RAL Color Standard Trim
BIF18R0CPLT	Standard RAL Color Plated Trim
BIF18R0CF	Specialty Finish Standard Trim
BIF18R0CFPLT	Speciality Finish Plated Trim
BIF18R0CC	Custom Color Standard Trim
BIF18R0CCPLT	Custom Color Plated Trim



Model: BIFP18R0



Model: BIF18R0



Model: BIF18R0CPLT

SPECIFICATIONS:

Dimensions:

- Standard Door: 83 1/2"H x 17 1/2"W x 25 1/4"D
- Panel Ready: 83 1/2"H x 17 1/2"W x 24 1/4"D
- * Overall depth does not include panel depth
- * Width includes connector brackets

Electrical Requirements: 115V, 60Hz, 15 AMP Circuit
(Unit must be on a Non-GFI, dedicated outlet)

Water Pressure: 35 - 120psi

Unit Capacity: 8.22 cu. ft.

Weight: 342 lbs.

Left Swing Models:

BIFP18L0	Panel Ready
BIF18L0	Stainless Steel Standard Trim
BIF18L0PLT	Stainless Steel Plated Trim
BIF18L0C	Standard RAL Color Standard Trim
BIF18L0CPLT	Standard RAL Color Plated Trim
BIF18L0CF	Specialty Finish Standard Trim
BIF18L0CFPLT	Speciality Finish Plated Trim
BIF18L0CC	Custom Color Standard Trim
BIF18L0CCPLT	Custom Color Plated Trim

INSTALLATION DIMENSIONS: PANEL READY MODELS

- (A) Recommended cut-out height 83 1/2" - 84"
- (B) Dimensions shown are with rollers in minimum position as shipped.
Unit can be raised 1" max.
- (C) Cut-out must have a finished return of at least 3 1/2" from the front.

Notes:

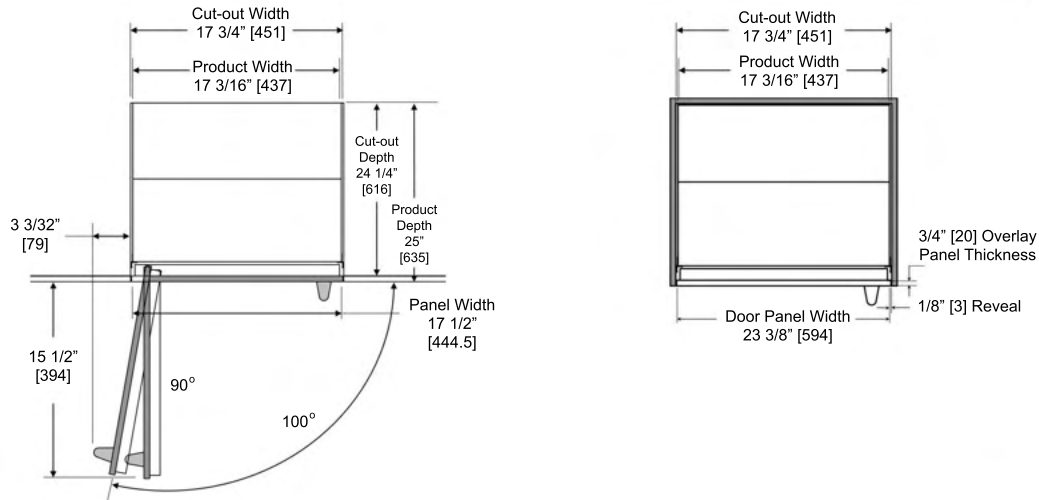
- Dimensions shown in [] are in millimeters.
- Product depth does not include 3/4" custom panel depth
- Cut-out dimensions are for frameless cabinet installations. Refer to column refrigeration design guide for face frame cabinet cut-out dimensions.

Installation Dimensions:

18" Panel Ready Freezer - Left Swing

Applicable Models:

- BIRFP18L0

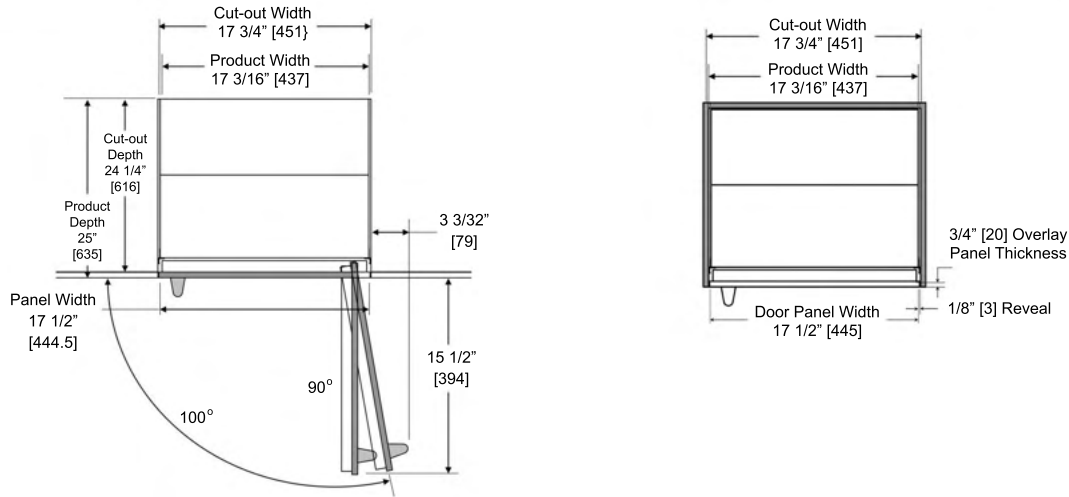


Installation Dimensions:

18" Panel Freezer - Right Swing

Applicable Models:

- BIFP18R0



Installation Dimensions:

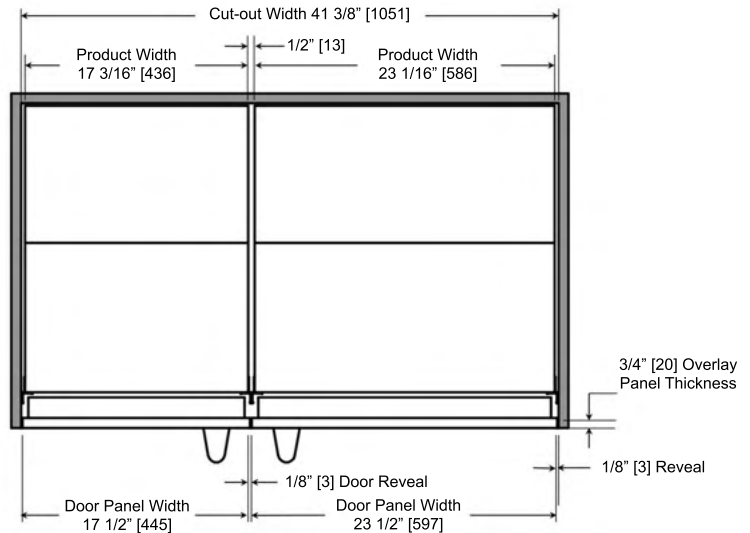
18" Panel Ready Freezer & 24" Panel Ready Refrigerator

Applicable Models:

- BIRP24
- BIFP18

Dimensions apply to the following model combinations:

- 18" Unit Left Hinge and 24" Unit Right Hinge
- 24" Unit Left Hinge and 18" Unit Right Hinge



INSTALLATION DIMENSIONS: PANEL READY MODELS

- (A) Recommended cut-out height 83 1/2" - 84"
- (B) Dimensions shown are with rollers in minimum position as shipped.
Unit can be raised 1" max.
- (C) Cut-out must have a finished return of at least 3 1/2" from the front.

Notes:

- Dimensions shown in [] are in millimeters.
- Cut-out dimensions are for frameless cabinet installations. Refer to column refrigeration design guide for face frame cabinet cut-out dimensions.

Installation Dimensions:

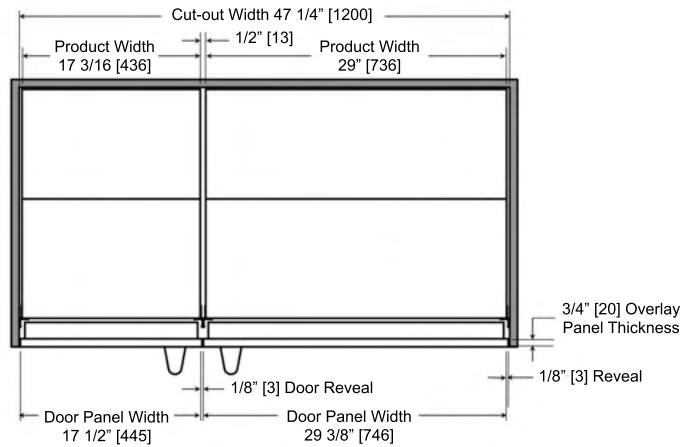
**30" Panel Ready Refrigerator
& 18" Panel Ready Freezer**

Applicable Models:

- BIRP30
- BIFP18

Dimensions apply to the following model combinations:

- 30" Unit Left Hinge and 18" Unit Right Hinge
- 18" Unit Left Hinge and 30" Unit Right Hinge

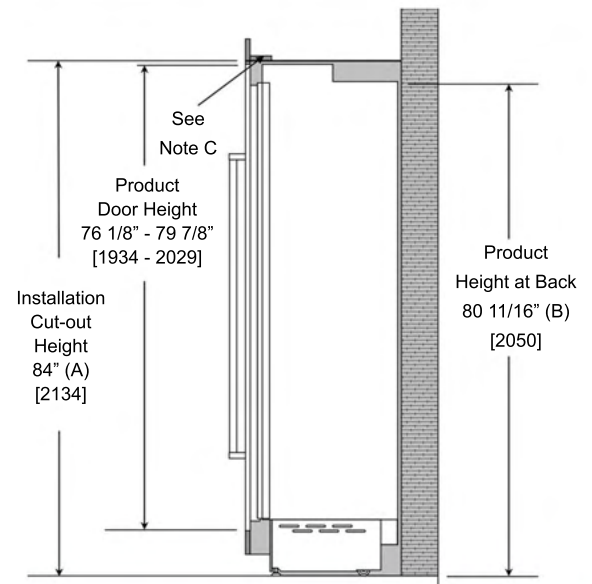


Installation Dimensions:

18", 24" & 30" Models with Panel Ready Door

Notes: Dimensions shown in [] are in millimeters

- (A) Recommended cut-out height 83 1/2" - 84"
- (B) Dimensions shown are with rollers in minimum position as shipped.
Units can be raised 1" max.
- (C) Cut-out must have a finished return of at least 3 1/2" from the front.



INSTALLATION DIMENSIONS: STANDARD DOOR MODELS

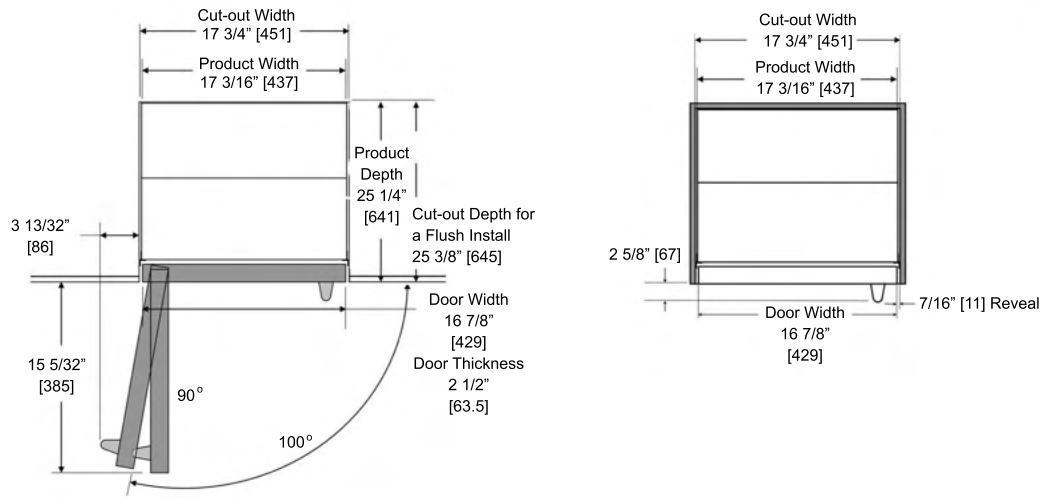
- (A) Cut-out must have a finished return of at least 3 1/2" from the front
- (B) Standard Door Installation: Cut-out must be a minimum depth of 25 3/8" [645] for a flush door installation. Cut-out must be minimum depth of 23 1/4" [591] to cover the sides of the unit.

Notes:

- Except where noted, dimensions shown are from cut-out to refrigerator.
- Dimensions shown in [] are in millimeters.
- Cut-out dimensions are for frameless cabinet installations. Refer to column refrigeration design guide for face frame cabinet cut-out dimensions.

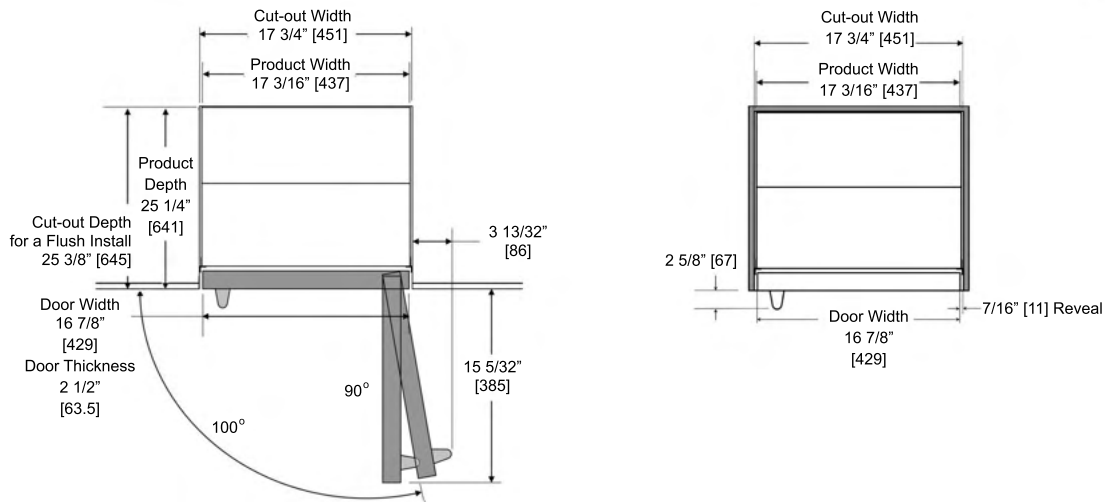
**Installation Dimensions:
18" Freezer - Left Swing**

- Applicable Models:**
- All BIF18L0 Models



**Installation Dimensions:
18" Freezer - Right Swing**

- Applicable Models:**
- All BIF18R0 Models

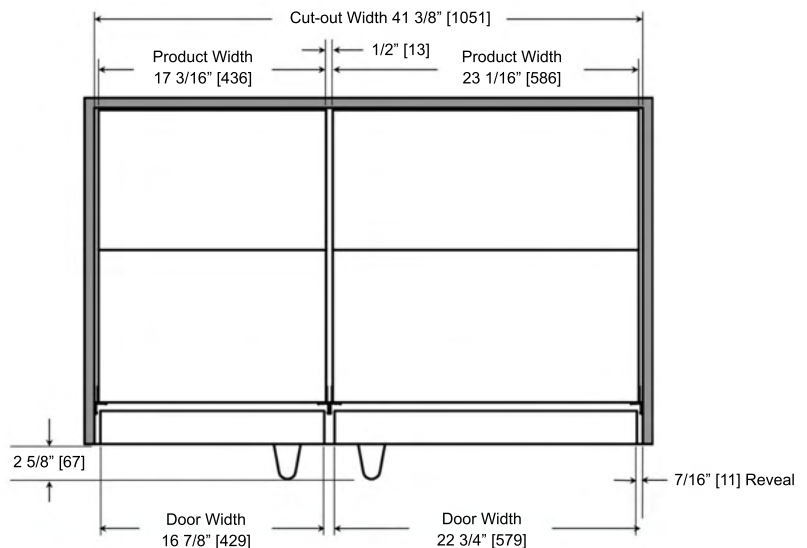


**Installation Dimensions:
18" Freezer & 24" Refrigerator**

- Applicable Models:**
- All BIR24 Models
 - All BIF18 Models

Dimensions apply to the following model combinations:

- 18" Unit Left Hinge and 24" Unit Right Hinge
- 24" Unit Left Hinge and 18" Unit Right Hinge



INSTALLATION DIMENSIONS: STANDARD DOOR MODELS

- (A) Cut-out must have a finished return of at least 3 1/2" from the front
- (B) Standard Door Installation: Cut-out must be a minimum depth of 25 3/8" [645] for a flush door installation. Cut-out must be minimum depth of 23 1/4" [591] to cover the sides of the unit.

Notes:

- Except where noted, dimensions shown are from cut-out to refrigerator.
- Dimensions shown in [] are in millimeters.
- Cut-out dimensions are for frameless cabinet installations. Refer to column refrigeration design guide for face frame cabinet cut-out dimensions.

Installation Dimensions:

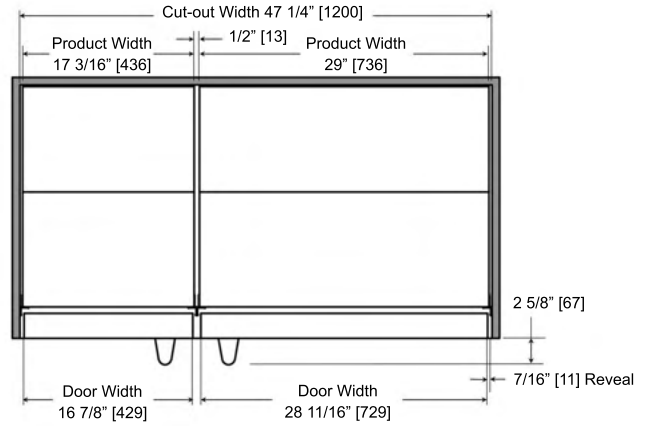
18" Freezer & 30" Refrigerator

Applicable Models:

- All BIR30 Models
- All BIF18 Models

Dimensions apply to the following model combinations:

- 18" Unit Left Hinge and 30" Unit Right Hinge
- 30" Unit Left Hinge and 18" Unit Right Hinge

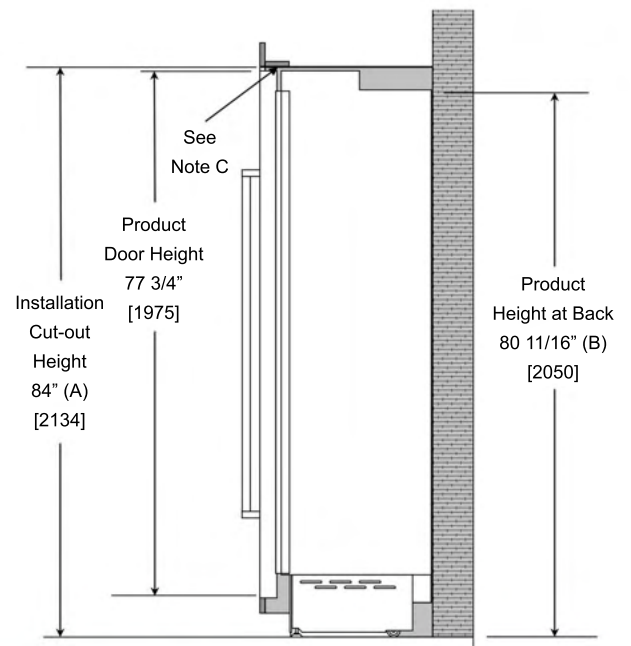


Installation Dimensions:

18", 24" & 30" Models with Standard Door

Notes: Dimensions shown in [] are in millimeters

- (A) Recommended cut-out height 83 1/2" - 84"
- (B) Dimensions shown are with rollers in minimum position as shipped. Units can be raised 1" max.
- (C) Cut-out must have a finished return of at least 3 1/2" from the front.



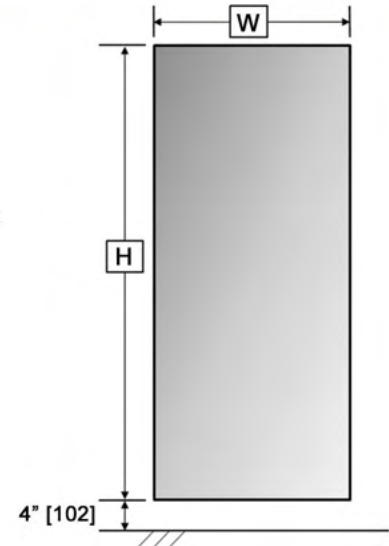
PANEL & TOEKICK DETAIL: PANEL READY MODELS

PANEL DETAIL:

Each panel-ready BlueStar Column appliance is designed to be equipped with a decorative door panel. The table below illustrates the dimensions to be used as a guide in creating custom panels. At 79 7/8" (2029 mm) tall, they are designed for a toekick height of 4" (102 mm), and a total cutout height of 84" (2134 mm) yielding 1/8" (3 mm) reveals. At 3/4" (19 mm) deep, they are designed to attach to the 24 1/4" (616 mm) deep appliance for an overall depth of 25" (635 mm). Maximum allowed panel thickness is 1-1/8" (29 mm).

If the cabinet panels to be installed on panel ready units are of a rail and stile panel design, the location of mounting bracket hardware must still be 3/4" thick. A minimum vertical stile width of 3" on either side edge of the panel is recommended.

Description	H	W (1)	W (2)	Max. Panel Weight
18" Single Column	79 7/8" [2029]	17 1/2" [445]		75 lb each (34 kg)
18" & 24" Joined Columns	79 7/8" [2029]	17 1/2" [445]	23 1/2" [597]	75 lb each (34 kg)
18" & 30" Joined Columns	79 7/8" [2029]	17 1/2" [445]	29 3/8" [746]	75 lb each (34 kg)



TOE KICK GRILL:

A forced air system assures ventilation through a grill positioned in the lower front part of the unit. Each BlueStar Column comes with a 8-1/2" (216 mm) high stainless steel grill. A custom-made toe kick that matches the surrounding cabinetry may be applied instead. It must be designed to maintain a satisfactory air flow, as described in the drawing below.

Important:

Please recall that a panel should be installed at a minimum height of 4" (102 mm) from the floor to allow proper ventilation of the appliance. If required by the surrounding cabinetry design, the distance between the bottom edge of the door panel and the floor can be increased from approx. 4" (102 mm) up to 7-3/4" (197 mm) but should not be decreased. The minimum height of the custom door panel on the refrigerator above must be 76 1/8" high in order to conceal the actual door of the unit.

If using a custom Toe Kick Grill, the Toe Kick Grill must allow for a minimum open area of at least 50% of the area defined by the dimensions "A" / "E" and "B" below. The custom Toe Kick Grill may be attached using a fastening method deemed appropriate by the cabinet manufacturer/installer. Note: The Toe Kick Grill must provide adequate airflow as outlined above in order to ensure proper functionality of the appliance. It is imperative that the Toe Kick Grill remain unblocked to ensure proper functionality of the appliance and should be removable to allow for servicing and condenser cleaning.

	Figure 1	Figure 2	
	18"	18" + 24"	18" + 30"
A	16 1/8" [410]	16 1/8" [410]	16 1/8" [410]
B	> 4" [100]		
C	3/8" [10]		
D	17 1/2" [444.5]	41 1/8" [1044]	47" [1194]
E		22" [559]	27 15/16" [710]

Figure 1

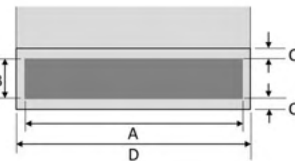
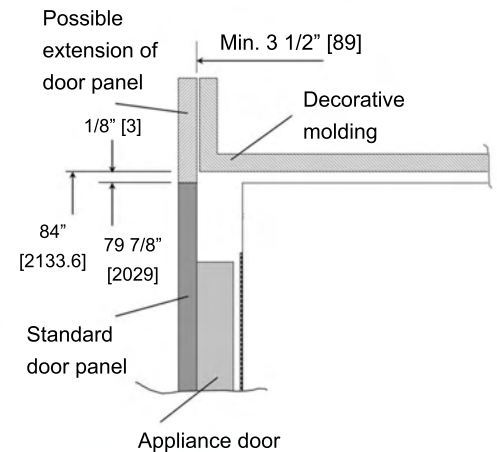
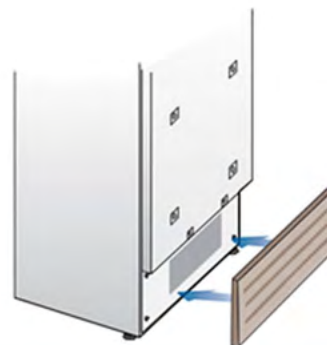
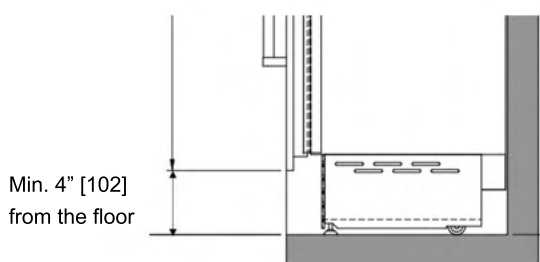
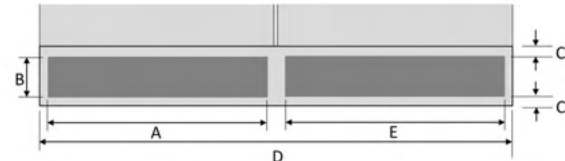


Figure 2

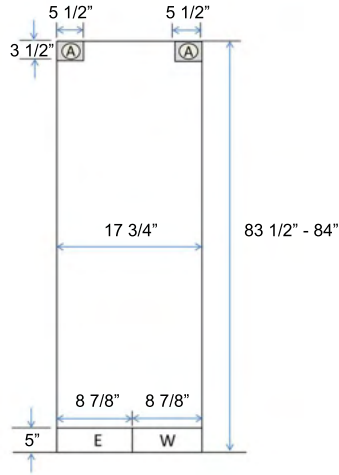


SITE PREPARATION GUIDE

- Electrical:** The electrical outlet should be located in the area marked "E" and must be on a dedicated non-GFI 115V, 60Hz, 15 Amp circuit and accept a three-prong grounding plug.
- Plumbing:** The water line should be located in the area marked "W". Connect the water line to the house water supply with an easily accessible shut-off valve.
- Mounting:** "A" equals area to be left clear for anti-tip brackets. In addition, the plastic connecting brackets must be screwed to the cabinets all provided attachment points.

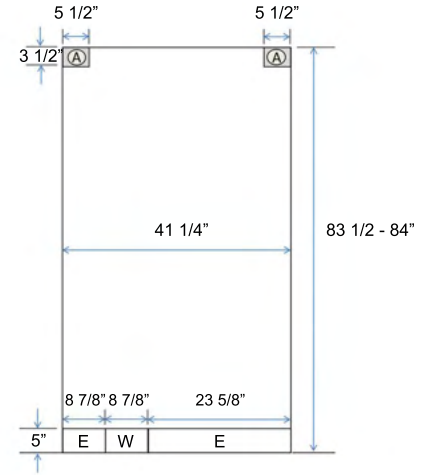
18" Column Freezer

- Model(s):
 - BIF18 models
 - BIFP18 models



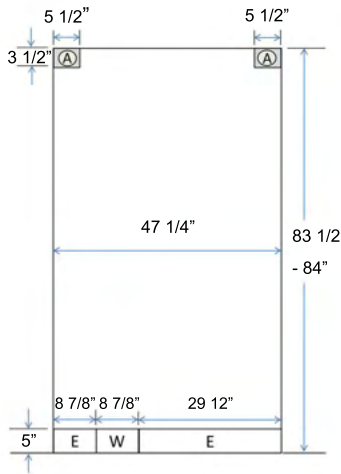
18" Column Freezer & 24" Column Refrigerator

- Model(s):
 - BIF18 models
 - BIFP218 models
 - BIR24 models
 - BIRP24 models

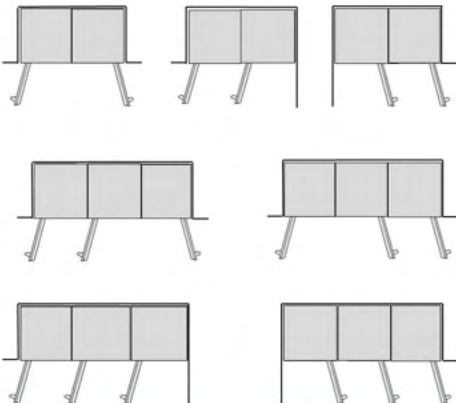


18" Column Freezer & 30" Column Refrigerator

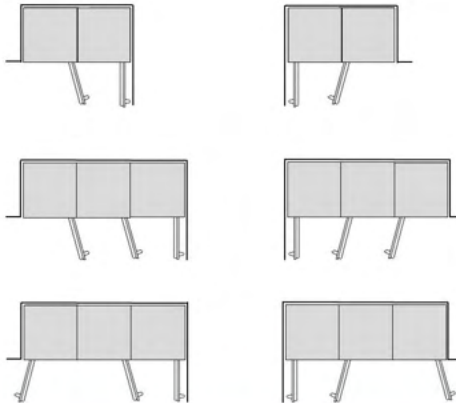
- Model(s):
 - BIF18 models
 - BIFP18 models
 - BIR30 models
 - BIRP30 models



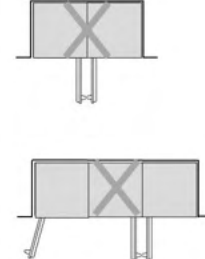
Recommended Installations for Standard Door Swing:

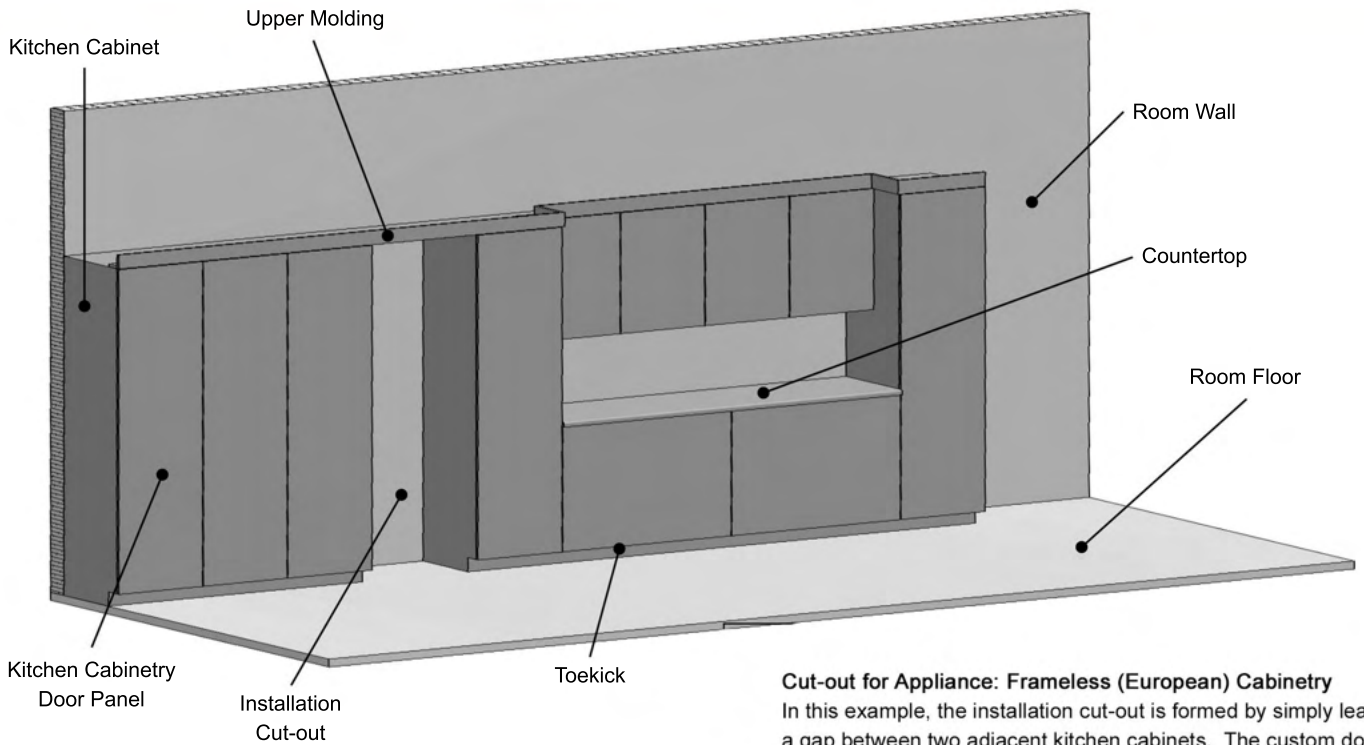


Recommended Installations Requiring 90 Degree Hinges:



Not Recommended Installations:

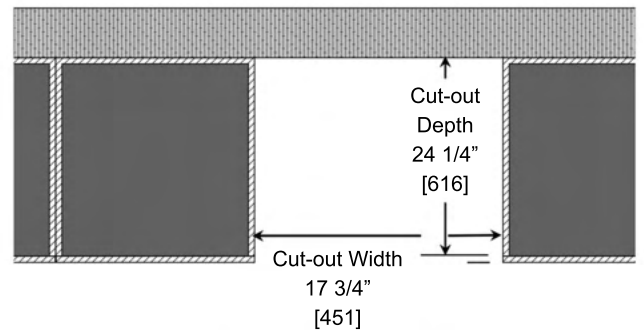
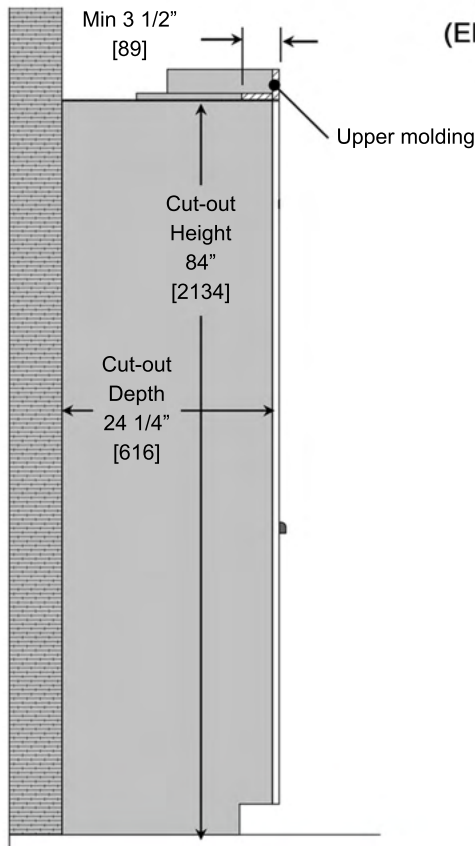




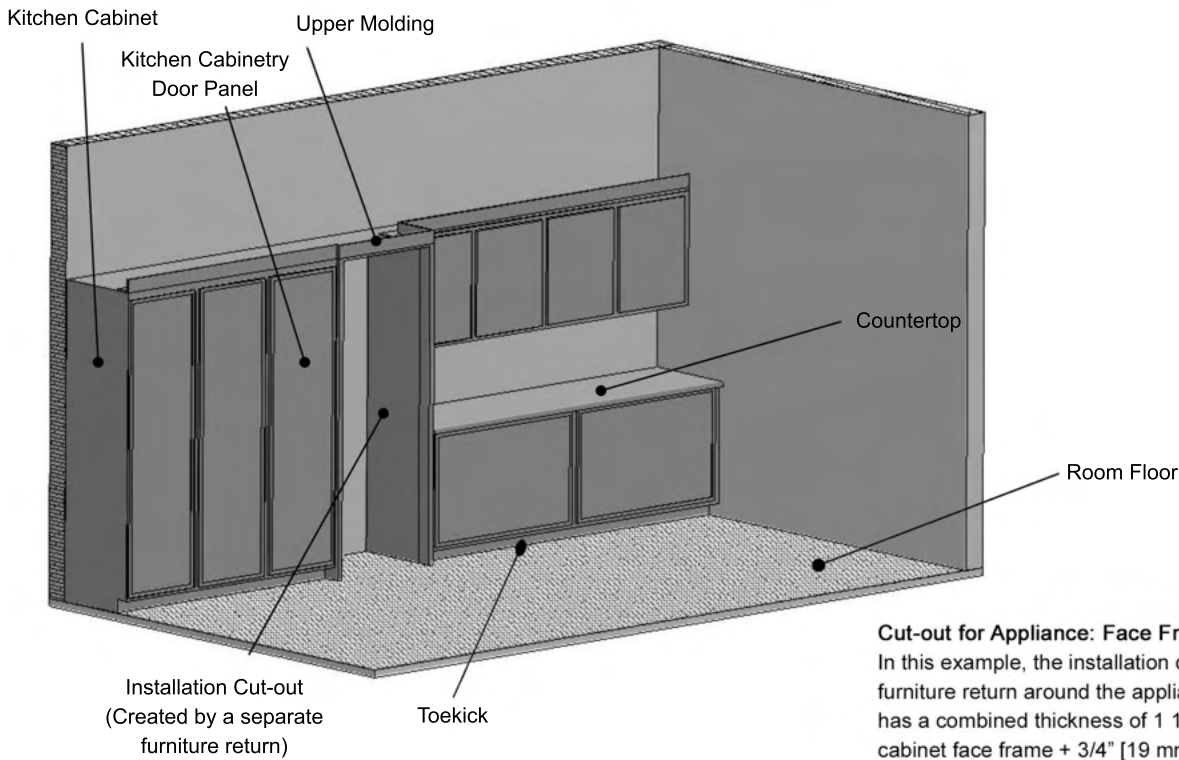
Cut-out for Appliance: Frameless (European) Cabinetry
 In this example, the installation cut-out is formed by simply leaving a gap between two adjacent kitchen cabinets. The custom door panel 3/4" [19 mm] will be identical in appearance and thickness to the surrounding kitchen cabinetry panels.

- Cut-out (case) depth is 24 1/4" [616 mm] - does not include door panel
- Top and side walls of cut-out interior are completely flush, made of solid material and at least 3 1/2" [89 mm] deep.

**Installation Cut-out
(Elevation Section View)**



**Installation Cut-out
(Plan View)**

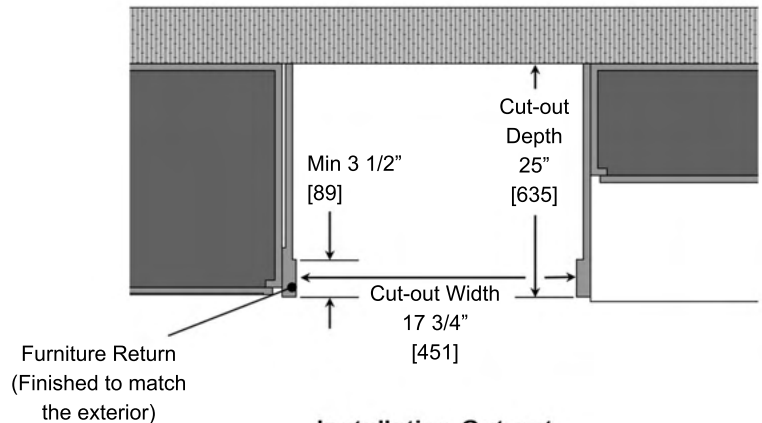
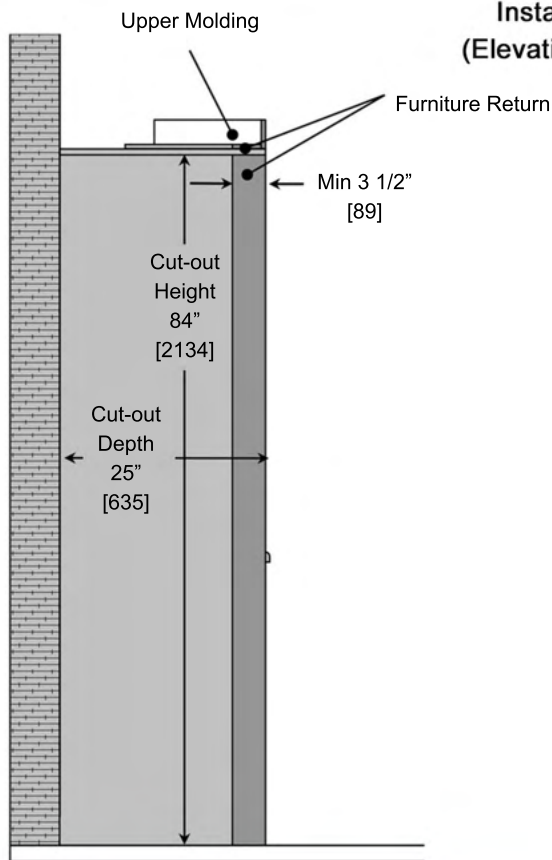


Cut-out for Appliance: Face Frame Cabinetry

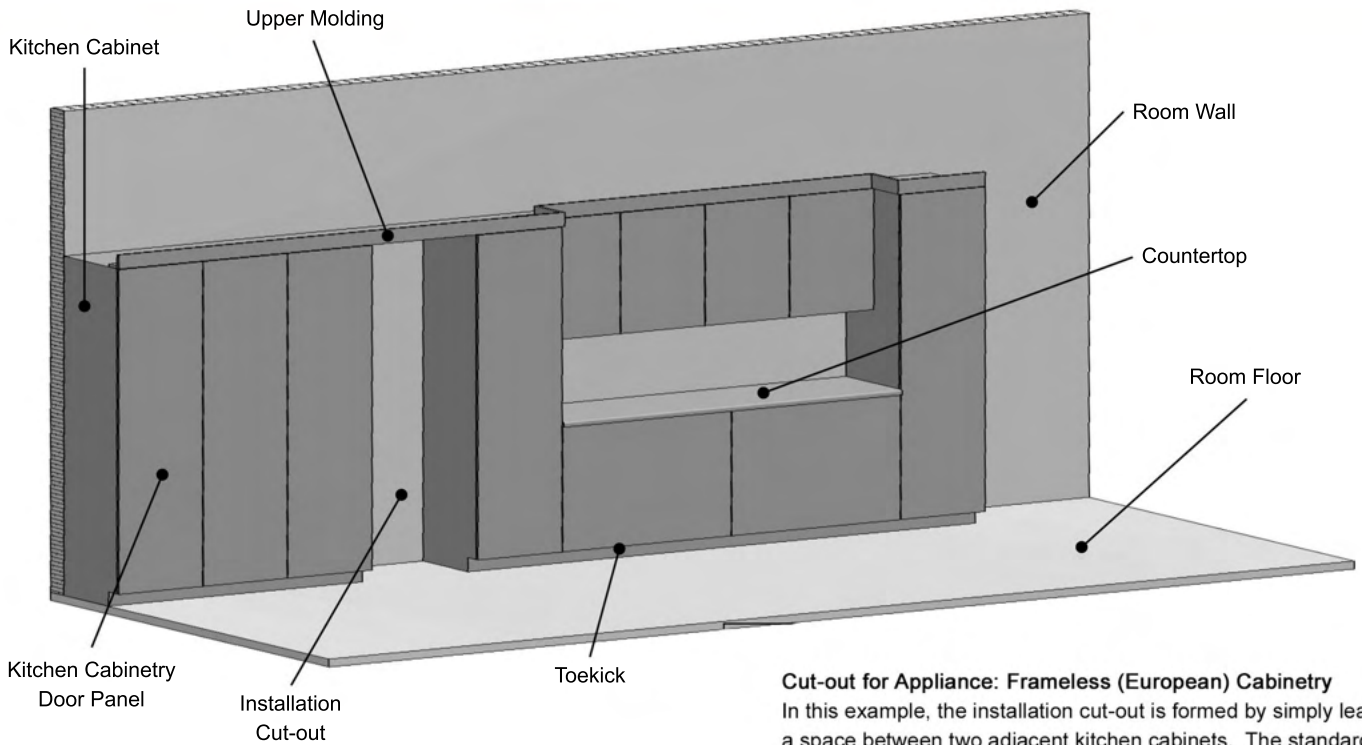
In this example, the installation cut-out is formed by creating a separate furniture return around the appliances. The kitchen cabinet door panel has a combined thickness of 1 1/2" [38 mm], 3/4" [19 mm] emulating the cabinet face frame + 3/4" [19 mm] for the actual door panel. A 25" [635 mm] deep installation cut-out is required.

- Cut-out (case) depth is 25" [635 mm] due to 1 1/2" [38 mm] combined kitchen cabinet face frame panel & cabinet door thickness.
- Any furniture return must be at least 3 1/2" [89 mm] deep, on interior top and sides, of solid material and should be finished to match exterior.

Installation Cut-out (Elevation Section View)



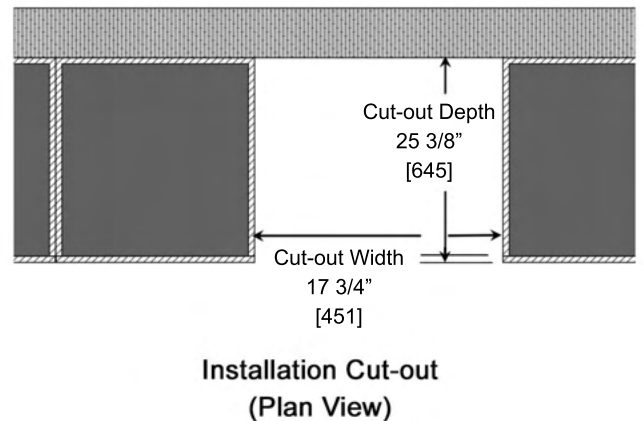
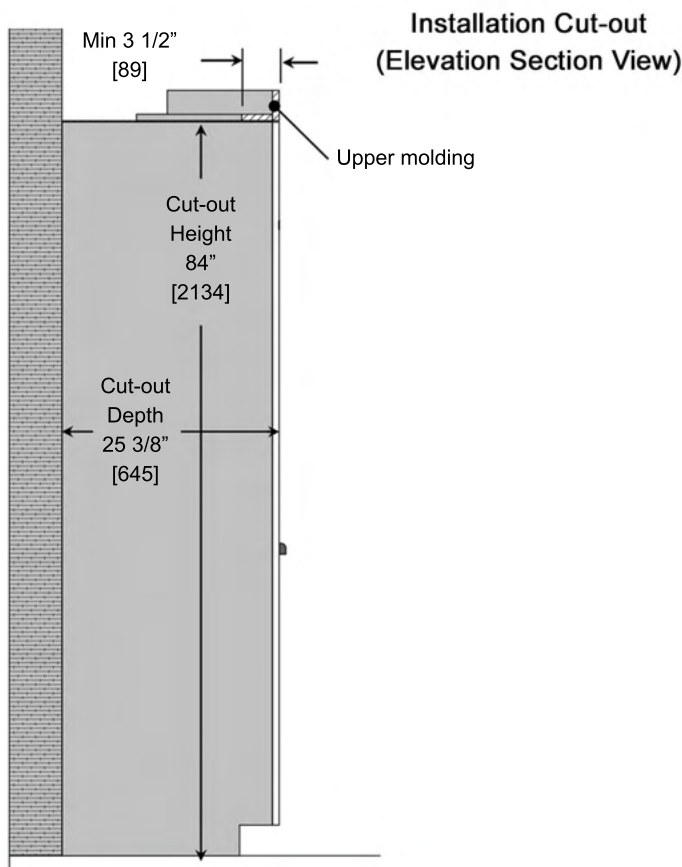
Installation Cut-out (Plan View)

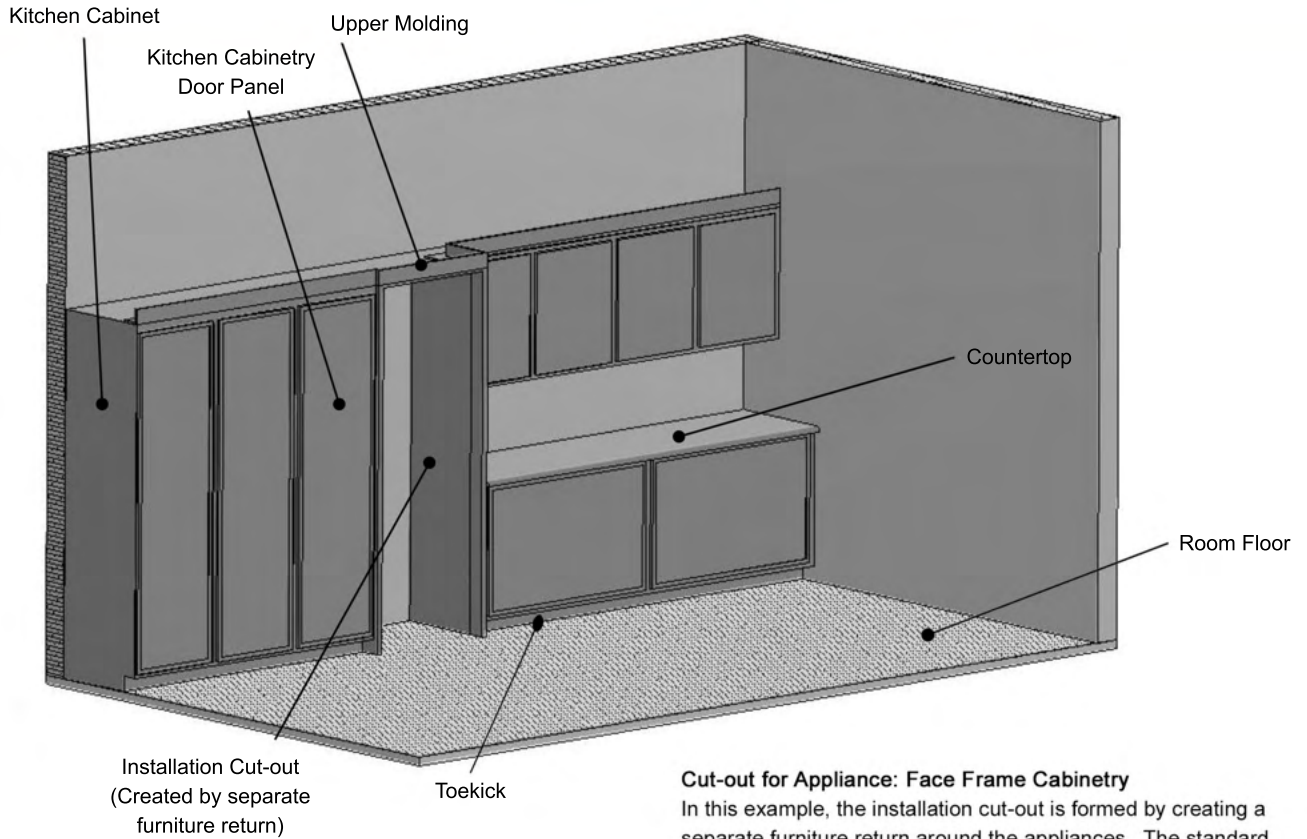


Cut-out for Appliance: Frameless (European) Cabinetry

In this example, the installation cut-out is formed by simply leaving a space between two adjacent kitchen cabinets. The standard door panel requires a 25 3/8" installation cut-out depth for a flush install.

- Top and side walls of cut-out interior should be completely flush, made of solid material and finished to a depth of at least 3 1/2" from the front edge.





Cut-out for Appliance: Face Frame Cabinetry

In this example, the installation cut-out is formed by creating a separate furniture return around the appliances. The standard door panel requires a 25 3/8" installation cut-out depth for a flush fit.

- Top and side walls of cut-out interior are completely flush, made of solid material and at least 3 1/2" [89 mm] deep.

