

PERFEKT GLIDE 24-1
24" Built-in Telescopic Range Hood

AEG

PERFEKT GLIDE 24-1

24" Built-in Telescopic Range Hood



RANGE HOOD FEATURES

- 24" (60cm) stainless steel built-in glide-out range hood
- LED lighting (3,200 Lumens)
- 2 speed adjustment
- 2 x dishwasher safe honey comb filters
- Electronic switch controls
- Quiet (7 sones/56dB) 300 CFM motor

DUCT SIZE

- 6" Duct Adapter Included

ELECTRICAL REQUIREMENTS

- 115 Volt, 60Hz, 15AMP
- AEG Range Hoods are supplied with a Canadian cord and plug
- Electrical cord located 3¹/₈" (79mm) from the top right corner of the unit at the rear

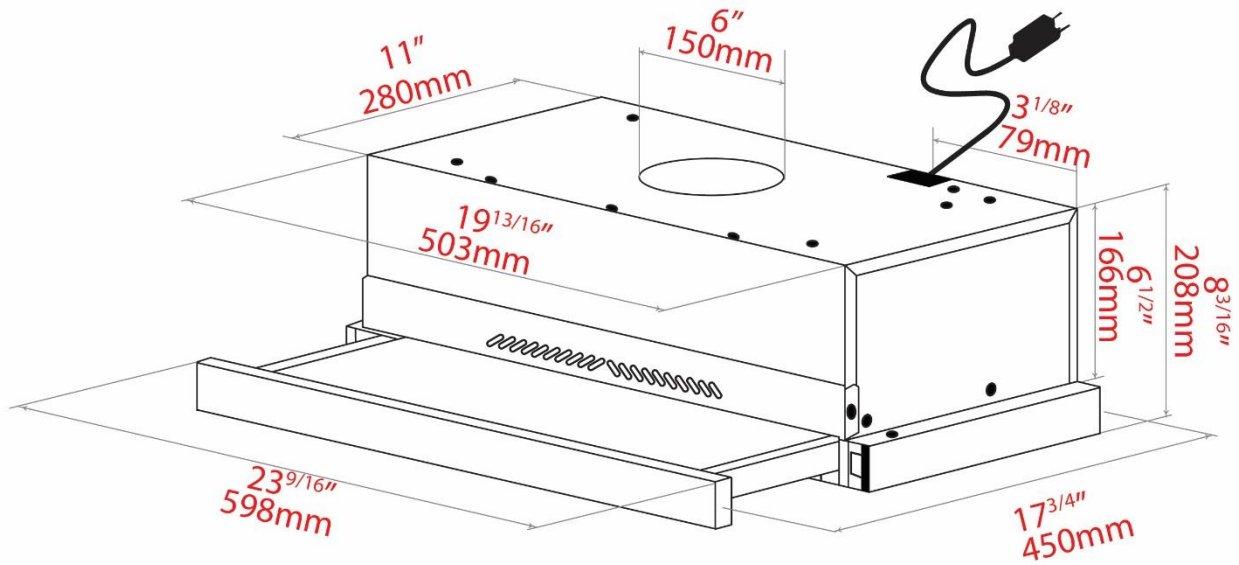
Specifications

PERFEKT GLIDE 24-1

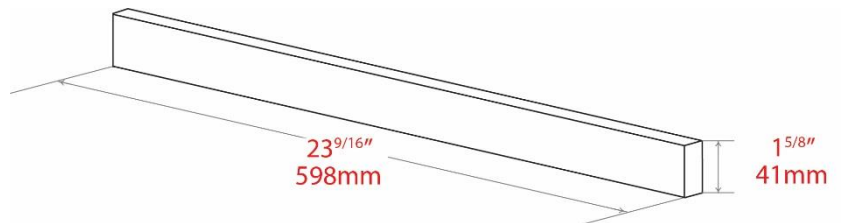
RANGE HOOD DIMENSIONS

D: 11" x W: 23^{9/16}"

D: 280mm x W: 598mm



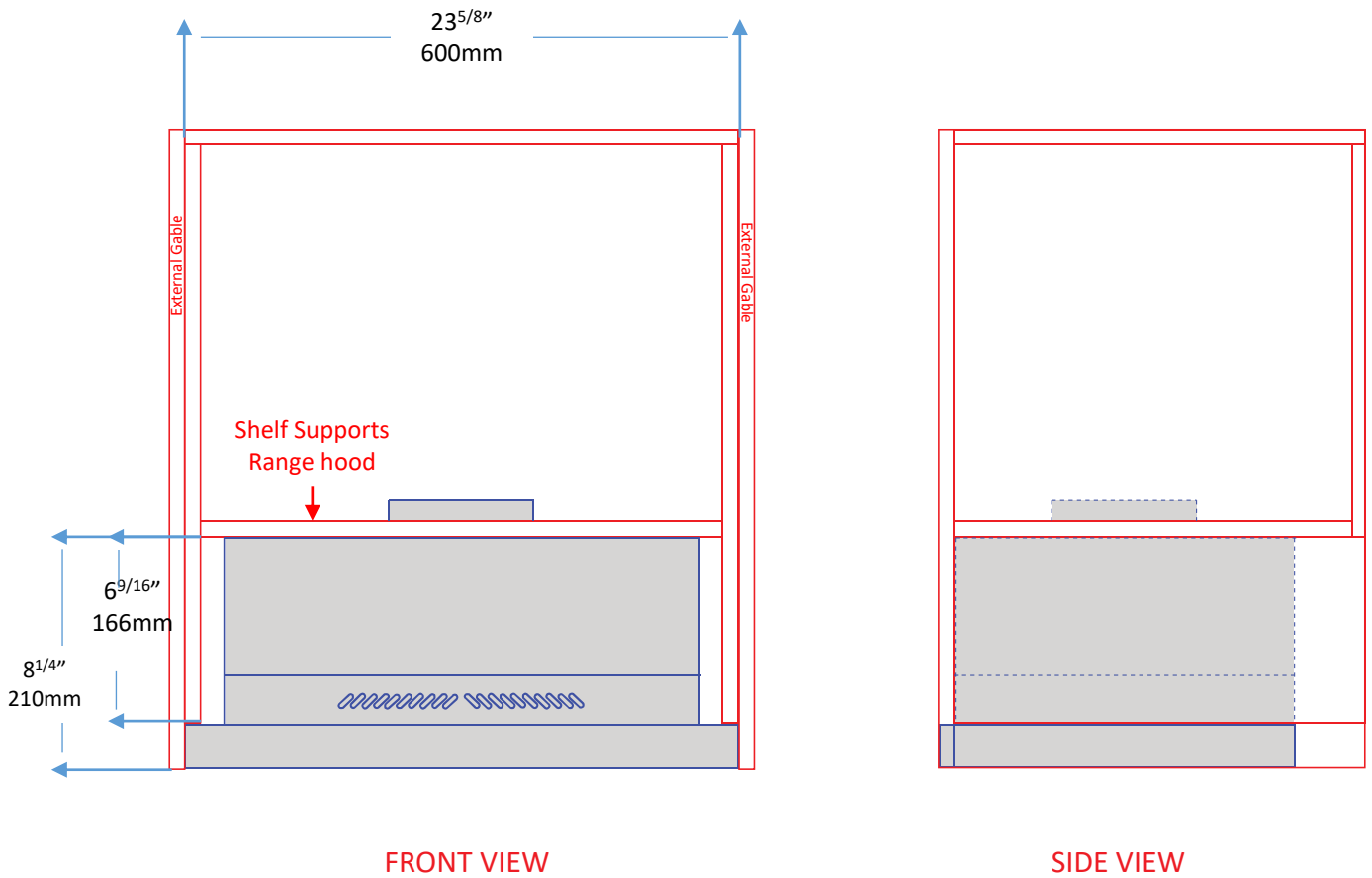
FRONT PANEL - DUCTED



Specifications

PERFEKT GLIDE 24-1

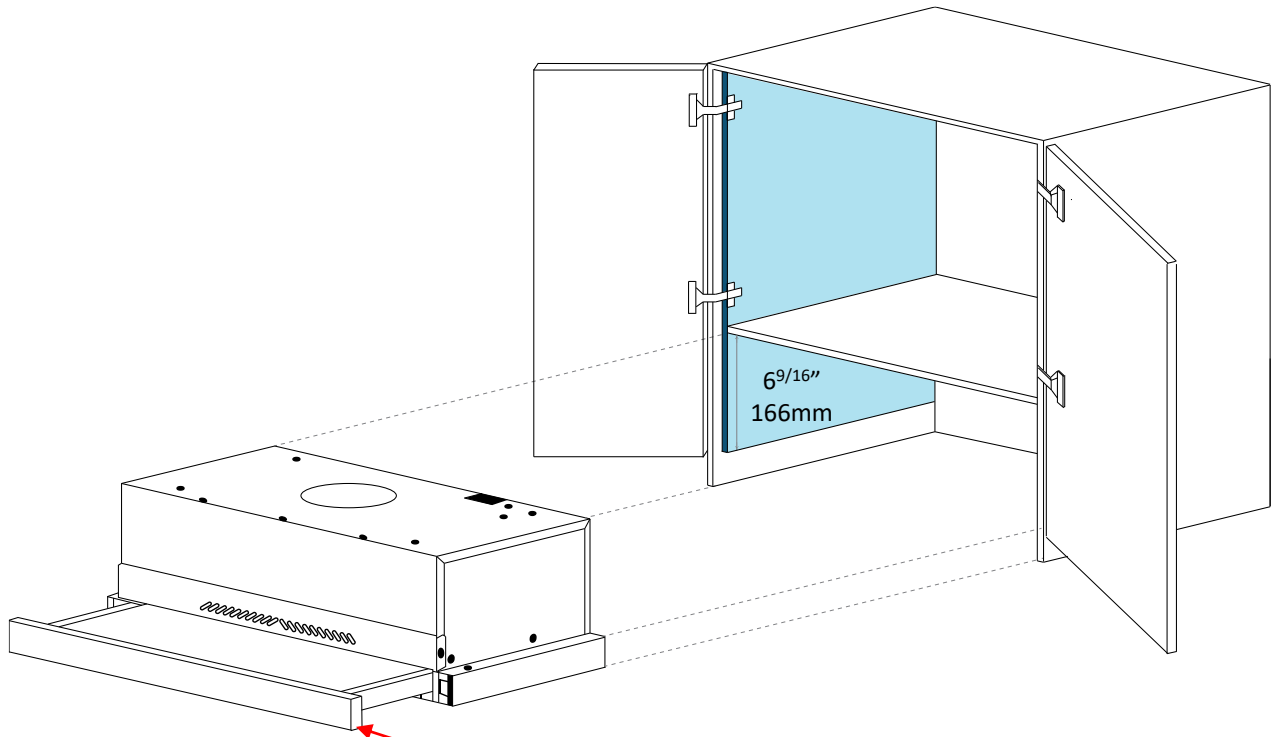
CABINET BOX DESIGN



Specifications

PERFEKT GLIDE 24-1

FRONT PANEL INSTALLATION

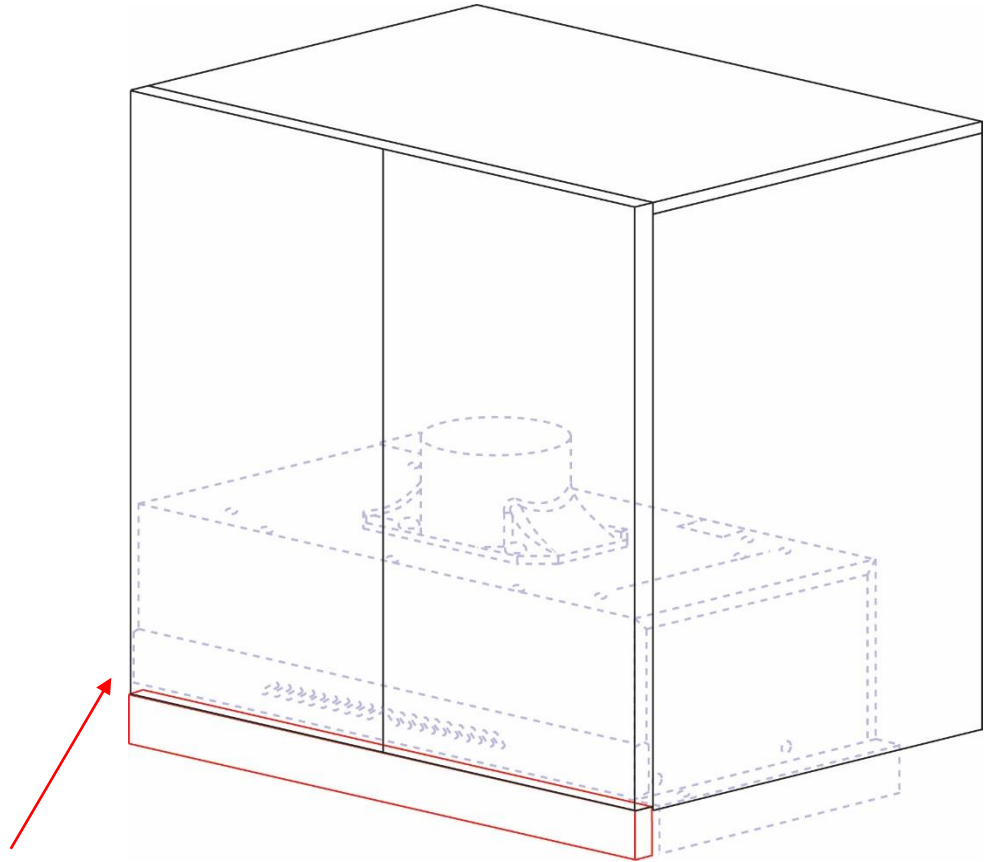


NOTE: Removing the front stainless steel trim

- 1. Pull the glide forward
- 2. Remove the 4 screws holding the glide to the panel
- 3. Install the matching front panel using the 4 screws

Custom panel provided by customer

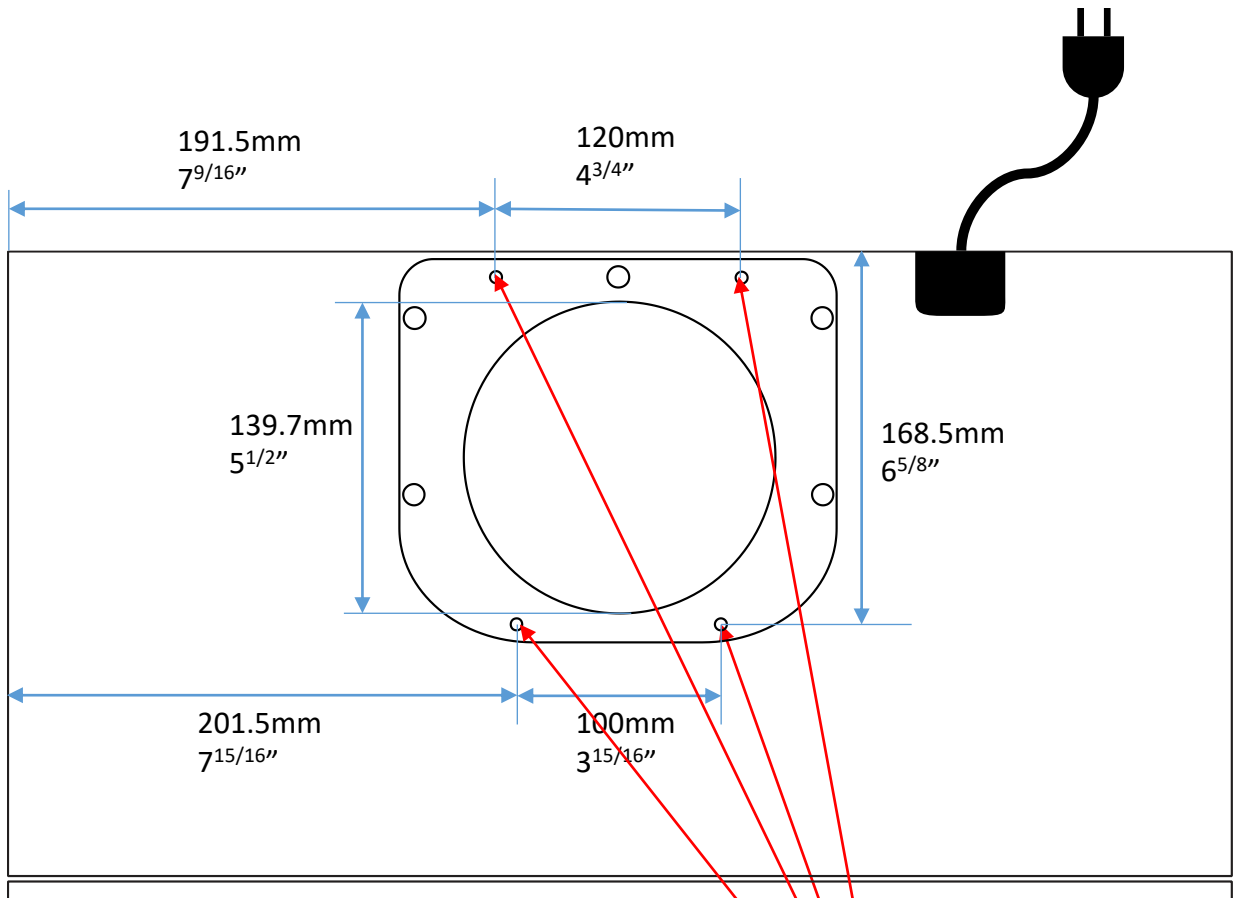
PERFEKT GLIDE 24-1



NOTE: Cabinet Door Panel Height

- Ensure that the cabinet door panel is lengthened to accommodate the smaller sized Range Hood Front Panel

DAMPER INSTALLATION

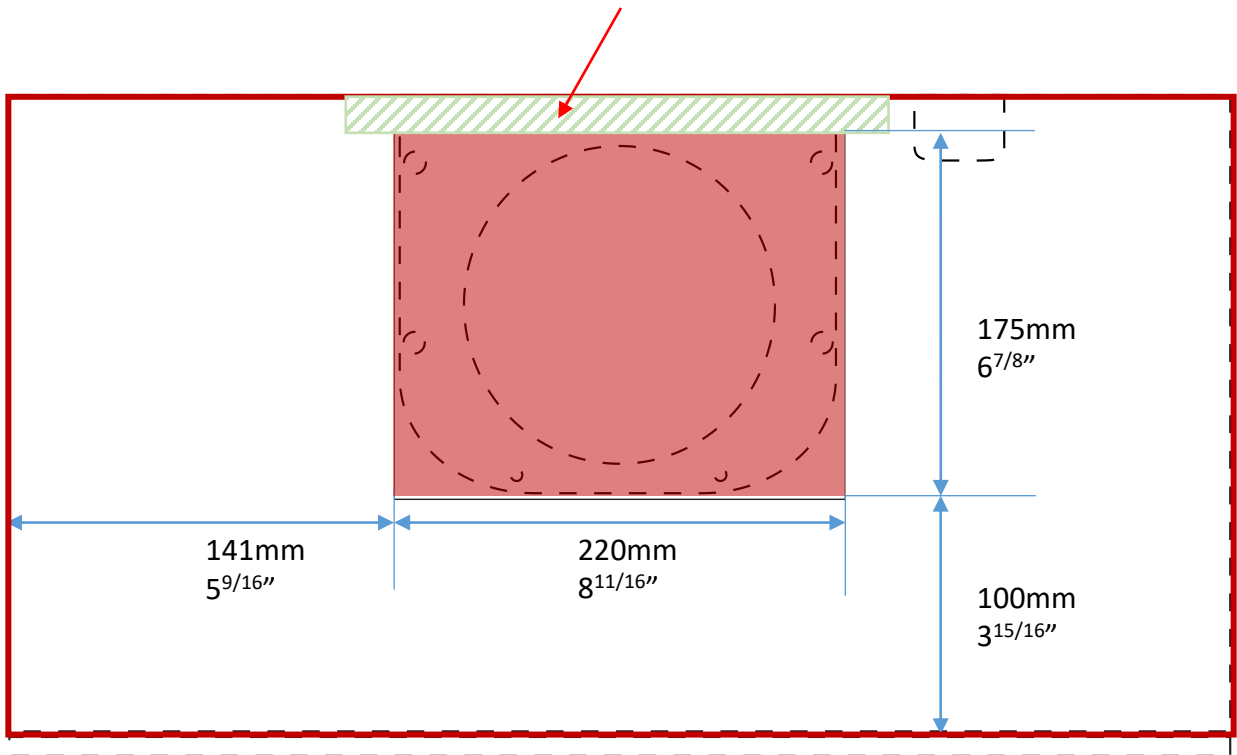


SECURING THE DAMPER

- Drill (1/8") at the points located
- Secure the damper to the motor housing using the screws supplied with the range hood

DAMPER INSTALLATION (SHELF CUT-OUT)

- Shelf with less than 1" of shelf extension **MUST HAVE** a support brace in place

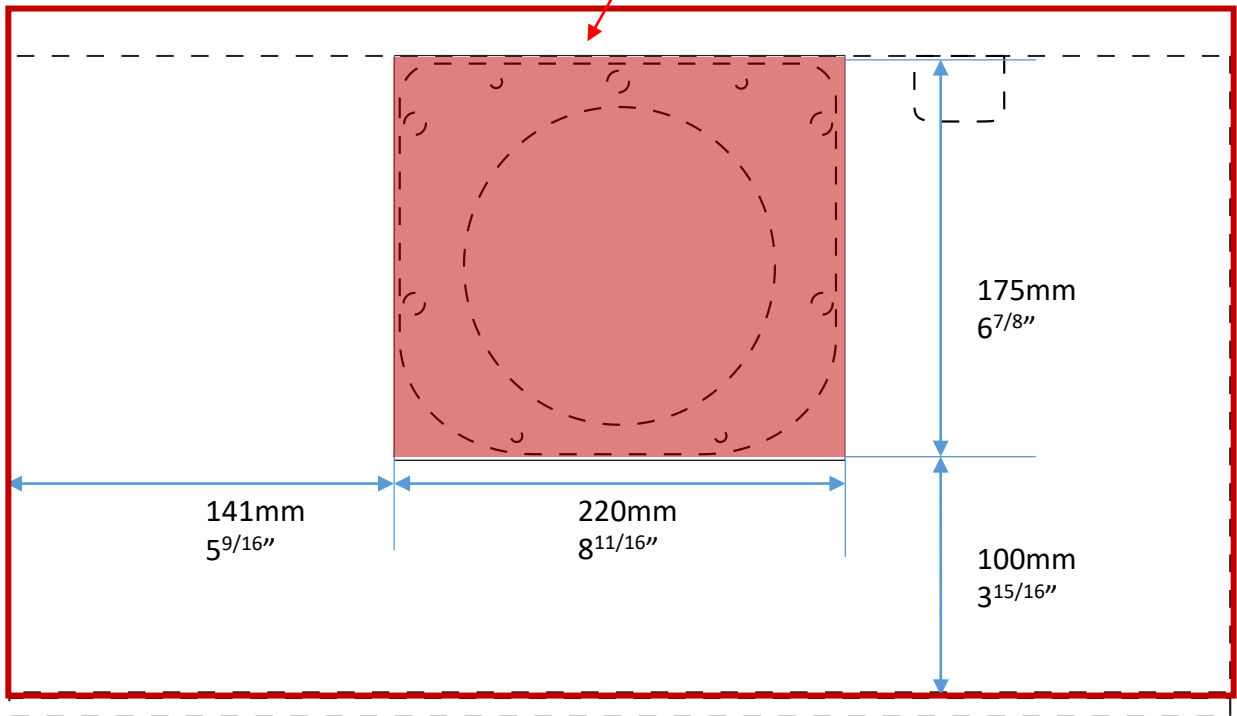


DAMPER CUT-OUT

- W: 220mm x D:175mm
W: 8¹¹/₁₆" x 6⁷/₈"
- Shelf depth **MUST BE** a minimum of 11" deep

DAMPER INSTALLATION (SHELF CUT-OUT)

- Shelf with 1" or more extension does not require a support brace.



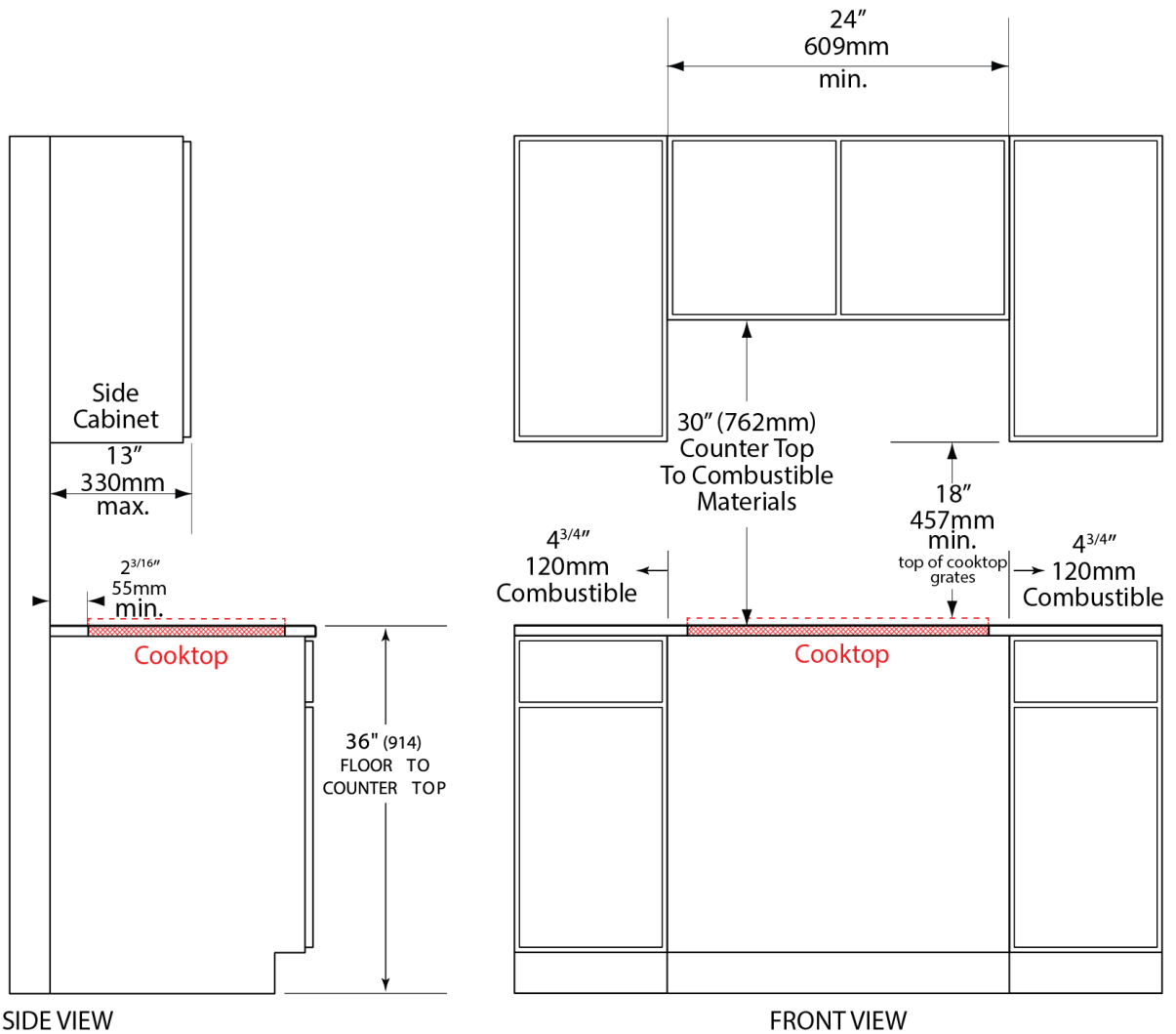
DAMPER CUT-OUT

- W: 220mm x D:175mm
W: 8¹¹/₁₆" x 6⁷/₈"
- Shelf depth **MUST BE** a minimum of 11" deep

Specifications

PERFEKT GLIDE 24-1

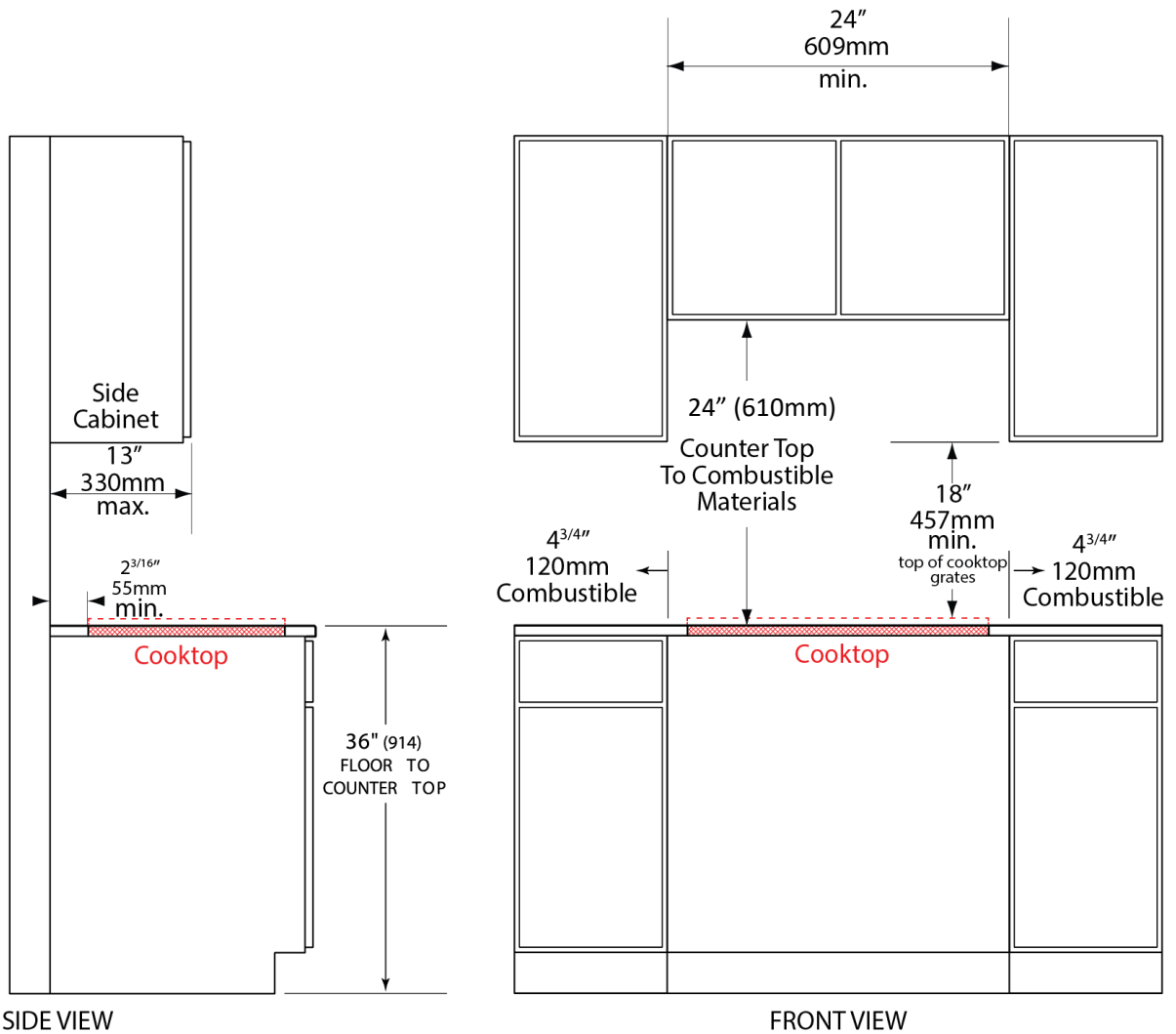
RECOMMENDED CABINET MINIMUM CLEARANCE (GAS COOKING SURFACE)



Specifications

PERFEKT GLIDE 24-1

RECOMMENDED CABINET MINIMUM CLEARANCE (ELECTRIC / INDUCTION COOKING SURFACE)



AEG

AEG Appliances are designed and manufactured to the highest standards. Each appliance is covered by a comprehensive 2-year parts and labour warranty.

Refer to product warranty policy for complete terms and conditions.

FOR PARTS AND SERVICE

Euro-Parts & Service

39822 Belgrave Road, Belgrave, ON. N0G 1E0

1 800 678 8352 (Canada) • 1 800 561 4614 (U.S.)

www.euro-parts.ca • parts@euro-parts.ca • service@euro-parts.ca

AEG appliances are imported and distributed in North America by Euro-Line Appliances Inc. For more information, please visit one of our showrooms or

www.ela.ca www.elawest.com

EURO-LINE APPLIANCES INC.

871 Cranberry Court
Oakville, ON L6L 6J7 Canada
905 829 3980
1 800 421 6332

marketing@euro-line-appliances.com

EURO-LINE APPLIANCES WEST INC.

101-1014 Homer Street
Vancouver, BC V6B 2W9 Canada
604 235 3980
1 855 ELA WEST (352 9378)

info@elawest.com

