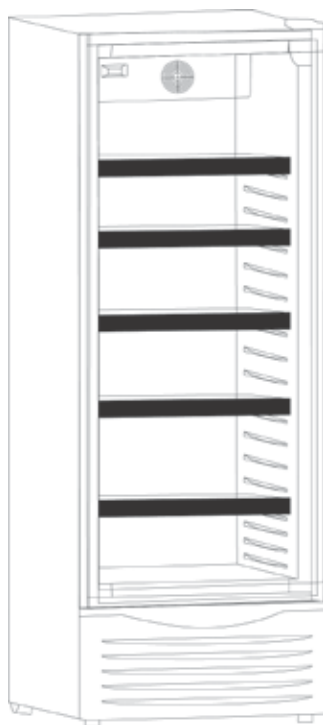




**INSTRUCTION MANUAL
MANUAL DE INSTRUCCIONES
MANUEL D'INSTRUCTIONS**

Model / Modelo / Modelé: CBC112Q0WG



BEFORE USE, PLEASE READ AND FOLLOW ALL SAFETY RULES AND OPERATING INSTRUCTIONS.

Avanti has a policy of continuous improvement on its products and reserves the right to change materials and specifications without notice.

**Avanti Products LLC
P.O. Box 520604 - Miami, Florida 33152
www.avantiproducts.com**

TABLE OF CONTENTS

Appliance Safety	3
Important Safeguides	4
Help Us Help You	5
Parts and Features	6
Important Safety Instructions	7
Installation Instructions	7
Before Using Your Appliance	7
Installation of Your Appliance	7
Electrical Connection	8
Operating Your Appliance	9
Temperature Control	9
Interior Light Door Lock Self-Closing Door Shelves	10
Care and Maintenance	11
Cleaning Your Appliance	11
Moving Your Appliance	11
Energy Saving Tips	11
Troubleshooting Guide	12 – 13
Service for Your Appliance	14
Wiring Diagram	14
Your Avanti Products Warranty	15
Instrucciones en Español	16 – 25
Instructions en Français	26 - 38
Registration Information and Registration Card	Last page

APPLIANCE SAFETY

Your safety and the safety of others are very important.

We have provided many important safety messages in this manual and on your appliance. Always read and obey all safety messages.



This is the Safety Alert Symbol. This symbol alerts you to potential hazards that can kill or injure you and others. All safety messages will follow the Safety Alert Symbol and either the words "DANGER", "WARNING" or "CAUTION".



Danger means that failure to heed this safety statement may result in severe personal injury or death.



Warning means that failure to heed this safety statement may result in extensive product damage, serious personal injury, or death.



Caution means that failure to heed this safety statement may result in minor or moderate personal injury, or property or equipment damage.

All safety messages will alert you to what the potential hazard is, tell you how to reduce the chance of injury, and let you know what can happen if the instructions are not followed.



PROP. 65 WARNING FOR CALIFORNIA RESIDENTS

WARNING:

Cancer And Reproductive Harm

www.p65warnings.ca.gov

IMPORTANT SAFEGUARDS



Before the beverage cooler is used, it must be properly positioned and installed as described in this manual, so read the manual carefully. To reduce the risk of fire, electrical shock or injury when using the beverage cooler, follow basic precautions, including the following:

! DANGER !

- Plug into a grounded 3-prong outlet, do not remove grounding prong, do not use an adapter, and do not use an extension cord
- Replace all panels before operating
- It is recommended that a separate circuit, serving only your beverage cooler, be provided. Use receptacles that cannot be turned off by a switch or pull chain
- Never clean appliance parts with flammable fluids. These fumes can create a fire hazard or explosion. And do not store or use gasoline or other flammable vapors and liquids in the vicinity of this or any other appliance. The fumes can create a fire hazard or explosion.
- Before proceeding with cleaning and maintenance operations, make sure the power line of the unit is disconnected.
- Do not connect or disconnect the electric plug when your hands are wet
- Unplug the appliance or disconnect the power before cleaning or servicing. Failure to do so can result in electrical shock or death.
- Do not attempt to repair or replace any part of your appliance unless it is specifically recommended in this material. All other servicing should be referred to a qualified technician.

! WARNING !

- Use two or more people to move and install the appliance. Failure to do so can result in back or other injury.
- To ensure proper ventilation for your appliance, the unit must be completely unobstructed. Choose a well-ventilated area with temperatures above 55°F (13°C) and below 90°F (32 °C). This unit must be installed in an area protected from the elements, such as wind, rain, water spray or sunlight.
- The appliance should not be located next to ovens, grills or other sources of high heat.
- The appliance must be installed with all electrical, water and drain connections in accordance with state and local codes. A standard electrical supply (115 V AC only, 60 Hz), properly grounded in accordance with the National Electrical Code and local codes and ordinances is required.
- Do not kink or pinch the power supply cord of the appliance.
- The fuse (or circuit breaker) size should be 15 amperes.
- It is important for the appliance to be leveled in order to work properly. You may need to make several adjustments to level it.
- All installation must be in accordance with local plumbing code requirements.
- Make certain that the pipes are not pinched or kinked or damaged during installation.
- Check for leaks after connection.
- Never allow children to operate, play with or crawl inside the appliance
- Do not use solvent-based cleaning agents or abrasives on the interior. These cleaners may damage or discolor the interior.
- Do not use this apparatus for other than its intended purpose.

HELP US HELP YOU...

Read this guide carefully.

It is intended to help you operate and maintain your new appliance properly.

Keep it handy to answer your questions. If you don't understand something or you need more help, please call:

**Avanti Customer Service
800-220-5570**

Keep proof of original purchase date (such as your sales slip) with this guide to establish the warranty period.

CAUTION:

**THIS APPLIANCE IS NOT
DESIGNED FOR THE STORAGE
OF MEDICINE OR OTHER
MEDICAL PRODUCTS.**

Write down the model and serial numbers.

You'll find them on a plate located on the rear outside wall of the appliance.

Please write these numbers here:

Date of Purchase

Model Number

Serial Number

Use these numbers in any correspondence or service calls concerning your appliance.

If you received a damaged appliance, immediately contact the dealer (or builder) that sold you the appliance.

Save time and money. Before you call for service, check the Troubleshooting Guide. It lists causes of minor operating problems that you can correct yourself.

IF YOU NEED SERVICE

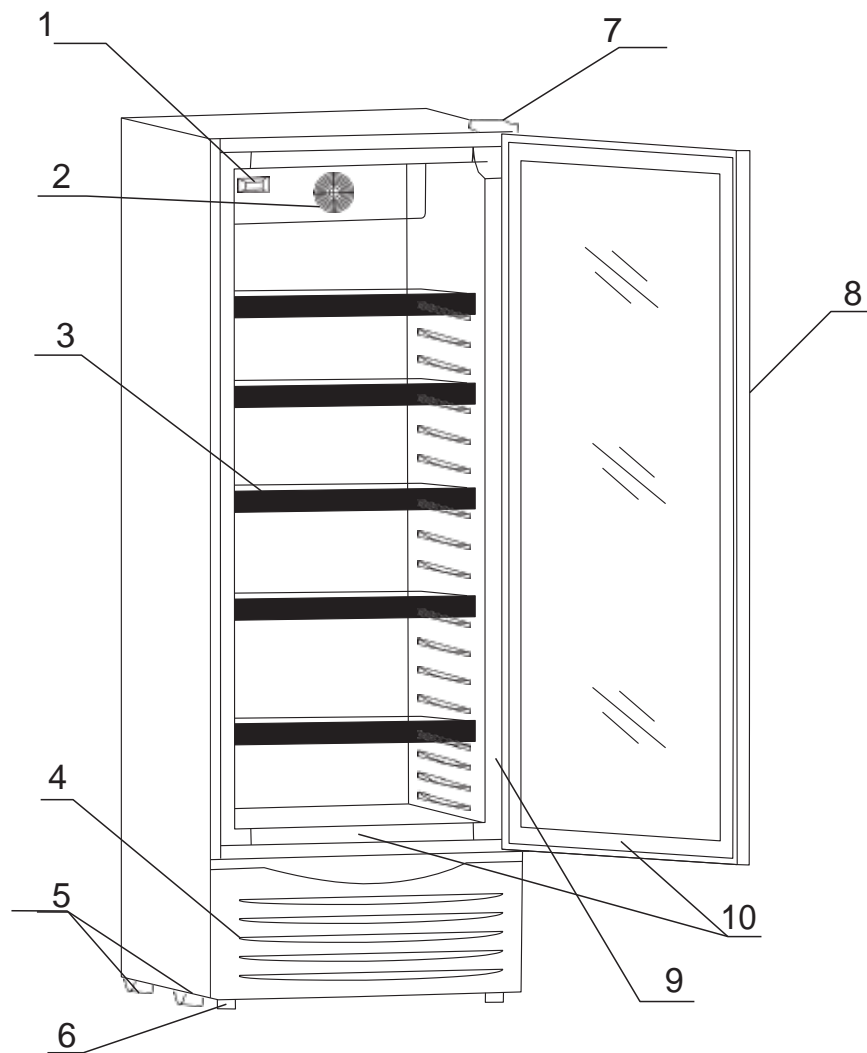
We're proud of our service and want you to be pleased. If for some reason you are not happy with the service you receive, here are some steps to follow for further assistance.

FIRST, contact the people who serviced your appliance. Explain why you are not pleased. In most cases, this will solve the problem.

NEXT, if you are still not pleased, write all the details, including your telephone number, and send it to:

**Customer Service
Avanti Products
10880 NW 30 Street
Miami, FL 33172 USA**

PARTS AND FEATURES



1	Temperature Control
2	Interior Fan
3	Shelves (Total 5)
4	Front Grille
5	Rolling Casters Rear (2) Front with Brake (2)
6	Leveling Legs
7	Top Hinge with Cover
8	Glass Door with Integrated Handle
9	Side LED Lighting
10	Security Lock

IMPORTANT SAFETY INSTRUCTIONS

~ WARNING ~	To reduce the risk of fire, electrical shock, or injury when using your appliance, follow these basic precautions:
<ul style="list-style-type: none"> • Read all instructions before using the appliance. • DANGER or WARNING: Risk of child entrapment. Child entrapment and suffocation are not problems of the past. Junked or abandoned appliances are still dangerous, even if they will “just sit in the garage a few days.” • Before you throw away your old appliance: Take off the doors. Leave the shelves in place so that children may not easily climb inside. • Never allow children to operate, play with, or crawl inside the appliance. • Never clean appliance parts with flammable fluids. The fumes can create a fire hazard or explosion. • Do not store or use gasoline or any other flammable vapors and liquids in the vicinity of this or any other appliance. The fumes can create a fire hazard or explosion. <p style="text-align: center;">-Save these instructions-</p>	

INSTALLATION INSTRUCTIONS

Before Using Your Appliance

- Remove the exterior and interior packing.
- Check to be sure you have all of the following parts:

1	Instruction Manual
5	Beverage Shelves
2	Keys

- Before connecting the appliance to the power source, let it stand upright for approximately 2 hours. This will reduce the possibility of a malfunction in the cooling system from handling during transportation.
- Clean the interior surface with lukewarm water using a soft cloth.

Installation of Your Appliance

- **This appliance is designed to be free standing only, and should not be recessed or built-in.**
- Place your appliance on a floor that is strong enough to support the appliance when it is fully loaded.
- **Allow 5 inches of space between the back and sides of the appliance, which allows the proper air circulation to cool the compressor and condenser.**
- Locate the appliance away from direct sunlight and sources of heat (stove, heater, radiator, etc.). Direct sunlight may affect the acrylic coating and heat sources may increase electrical consumption. Extreme cold ambient temperatures may also cause the appliance not to perform properly.
- Avoid locating the appliance in moist areas. Too much moisture in the air will cause frost to form quickly on the evaporator requiring more frequent defrosting of the appliance.
- Plug the appliance into an exclusive properly installed grounded wall outlet. Do not under any circumstances cut or remove the third (ground) prong from the power cord. Any questions concerning power and or grounding should be directed toward a certified electrician or an authorized Avanti Products service center.
- After plugging the appliance into a wall outlet, allow the unit to cool down for 2~3 hours before placing items in the compartment.

DO NOT INSTALL THE UNIT IN A LOCATION WHERE THE AMBIENT TEMPERATURE WILL DROP BELOW 32 °F OR RISE ABOVE 110 °F. AMBIENT TEMPERATURES OUTSIDE OF THIS RANGE WILL AFFECT THE PERFORMANCE OF YOUR UNIT AND WILL NOT ALLOW IT TO MAINTAIN THE PROPER TEMPERATURES.

Electrical Connection

~ Warning ~

Improper use of the grounded plug can result in the risk of electrical shock. If the power cord is damaged, have it replaced by an authorized Avanti Products service center.

This appliance should be properly grounded for your safety. The power cord of this appliance is equipped with a three-prong plug which mates with standard three prong wall outlets to minimize the possibility of electrical shock.

Do not under any circumstances cut or remove the third ground prong from the power cord supplied.

This appliance requires a standard 115Volts~/60Hz electrical outlet with three-prong ground.

The cord should be secured behind the appliance and not left exposed or dangling to prevent accidental injury.

Never unplug the appliance by pulling the power cord. Always grip the plug firmly and pull straight out from the receptacle.

Do not use an extension cord with this appliance. If the power cord is too short, have a qualified electrician or service technician install an outlet near the appliance.

The "POWER" light indicates that the appliance is properly connected to the electrical power. The light indicates power supply, and will glow even if the compressor has failed to work and the compartment is not being cooled.

Ø Extension Cord

Because of potential safety hazards under certain conditions, it is strongly recommended that you do not use an extension cord with this unit. However, if you must use an extension cord it is absolutely necessary that it be a UL/CUL-Listed, 3-wire grounding type appliance extension cord having a grounding type plug and outlet and that the electrical rating of the cord be 115 volts and at least 10 amperes.

Ø SURGE PROTECTOR

Most electrical appliances use a series of electric control boards to operate. These boards are very susceptible to power surges and could be damaged or destroyed.

If the appliance is going to be used in an area or if your city / country is prone to power surges / outages; it is suggested that you use a power surge protector for all electrical devices / appliances you use. The surge protector that you select must have a surge block high enough to protect the appliance it is connected to. If you have any questions regarding the type and size of surge protector needed contact a licensed electrician in your area.

Damages due to power surges are not considered a manufacturer covered defect and will void your product warranty.

OPERATING YOUR APPLIANCE

IMPORTANT SAFEGUARDS:

DO NOT STORE FOOD IN THE BEVERAGE CENTER, AS INTERIOR TEMPERATURE MAY NOT GET COOL ENOUGH TO PREVENT SPOILAGE.

AS A NATURAL RESULT OF CONDENSATION, IN SUMMER MONTHS OR AREAS OF HIGH HUMIDITY, THE GLASS DOOR MAY BUILD UP MOISTURE ON THE OUTSIDE. JUST WIPE IT AWAY.

It is recommended that you install the appliance in a place where the ambient temperature is between 72° - 78°F (22° - 26°C). If the ambient temperature is above or below the recommended temperatures, the performance of the unit may be affected. For example, placing your unit in extreme cold or hot conditions may cause interior temperatures to fluctuate. The range of 32° - 43°F (0°-6°C) may not be reached.

This beverage cooler is designed to operate with a range of 32°-43°F (0°-6°C).

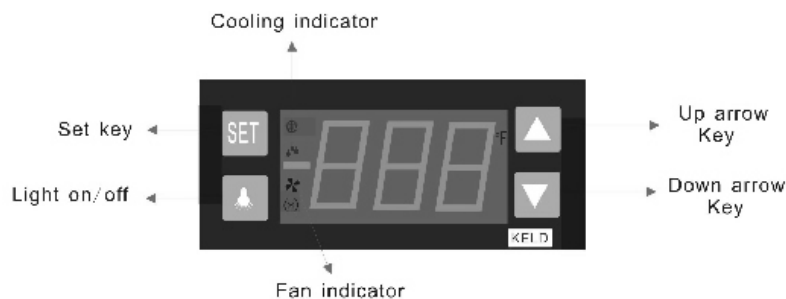
ON/OFF Power

Your unit is designed to turn ON as soon as the power cord has been plugged into an active outlet.

Attention:

This unit is equipped with a power delay system to protect the compressor in the event of a power outage.

- This power delay system will delay the compressor start cycle for “3” three minutes both at the first time the unit is plugged in and when there is a power outage.
- Once the unit is plugged in for the first time or power has been restored to the unit, the compressor will start cycling after (3) three minutes of uninterrupted power supply.
- Digital Display, LED Lighting and Temperature settings will work as normal and not be affected.



Temperature Control

- The temperature control is located in the upper left hand side of the compartment.
- The range of the temperature controls from 32°F to 43°F.
- The first time you turn the unit on, press the set button and then press button marked

Storage

Many bottles may differ in size and dimensions. As such the actual number of bottles you may be able to store may vary.

Interior Light

You can turn the interior light on or off by pressing the button marked Light on the control panel located at the upper left hand side of the compartment.

Door Lock

Your unit is provided with a lock and key combination. The keys are located inside the plastic bag that contains the User's Guide. Insert the key into the lock and turn it clockwise to unlock the door. To lock the door do the reverse operation making sure metal pin is engaged completely. Remove the key and place it in a secure place for safekeeping.

Positive Seal Self-Closing Door

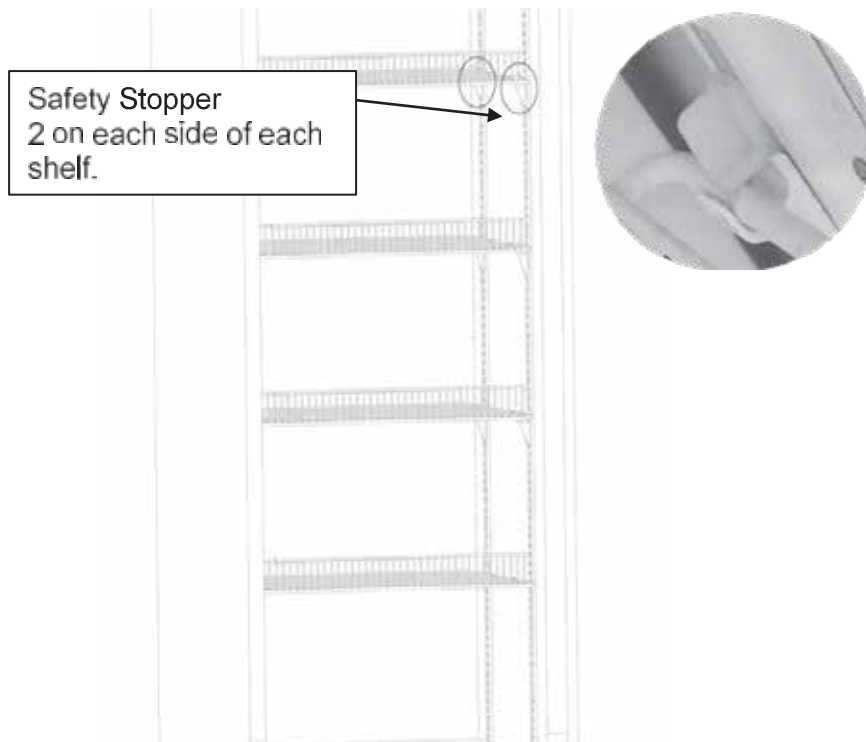
For your convenience, your Beverage Cooler has been designed with a self-closing door mechanism that will completely close the door and create a positive seal between the door gasket and the cooler.

Shelves

To prevent damaging the door gasket, make sure to have the door all the way opened when pulling the shelves out of the rail compartment.

For easy access to the storage content, you can pull the shelves approximately 1" (1 inch) out of the compartment, for your safety and convenience this unit was designed with (2) two safety stoppers on each side of the shelf track to prevent shelves from falling.

When removing any of these shelves out of the compartment, you must first remove all items from the shelves, then disassembly and remove both of the plastic stoppers by removing the safety stoppers on each side of the shelf.



CARE AND MAINTENANCE

Cleaning Your Appliance

- Upon installation of your new appliance, it is recommended that it be cleaned thoroughly.
- Unplug the appliance, remove the content .
- Wash the inside with a damp warm cloth containing a water and baking soda solution. The solution should be about 2 tablespoons of baking soda to a quart of water.
- Be sure to keep the door gasket (seal) clean to keep the unit running efficiently.
- The outside of the appliance should be cleaned with mild detergent and warm water.
- Dry the interior and exterior with a soft cloth.

Moving Your Appliance

- Remove all the content.
- Securely tape down all loose items inside your appliance.
- Remove the rollers to prevent damage
- Tape the door shut.
- Be sure the appliance stays in the upright position during transportation.

Energy Saving Tips

- The appliance should be located in the coolest area of the room, away from heat producing appliances or heating ducts, and out of the direct sunlight.
- Overloading the appliance forces the compressor to run longer.
- Appliance shelves should not be lined with aluminum foil, wax paper, or paper toweling. Liners interfere with cold air circulation, making the appliance less efficient.

PROBLEMS WITH YOUR APPLIANCE ?

You can solve many common appliance problems easily, saving you the cost of a possible service call. Try the suggestions below to see if you can solve the problem before calling the servicer.

TROUBLESHOOTING GUIDE

PROBLEM	POSSIBLE CAUSE
Appliance does not operate.	Not plugged in. The circuit breaker tripped or blown fuse. Compressor power delay is activated, this delays the power or cycling of the compressor for (3) three minutes after a power outage or the first time the unit is plugged in.
Compressor turns on and off frequently.	The room temperature is hotter than normal. A large amount of food has been added to the appliance. The door is opened too often. The door is not closed completely. The temperature control is not set correctly. The door gasket does not seal properly. The appliance does not have the correct clearances. The appliance has recently been disconnected for a period of time. Four hours are required for the appliance to cool down completely.
Temperature inside the appliance is too warm.	Temperature control is set too warm. Turn the control to a cooler setting and allow several hours for the temperature to stabilize. Door is kept open too long or is opened too frequently. Warm air enters the appliance every time the door is opened. Open the door less often. The door is not closed completely. The door gasket does not seal properly. The appliance has recently been disconnected for a period of time. Four hours are required for the appliance to cool down completely.
The light does not work.	Not plugged in. The circuit breaker tripped or a blue fuse. The light button is OFF.
Appliance seems to make too much noise.	The rattling noise may come from the flow of the refrigerant, which is normal. As each cycle ends, you may hear gurgling sounds caused by the flow of the refrigerant in your unit. Contraction and expansion of the inside walls may cause popping and crackling noises. The appliance is not level.
Vibrations.	Check to assure that the appliance is not on a level surface. Floor is uneven or weak. Appliance rocks on the floor when it is moved slightly. Be sure floor can adequately support appliance. Level the

	<p>appliance by putting wood or metal shims under part of the appliance.</p> <p>The appliance is touching the wall. Re-level the appliance and move it from the wall.</p> <p>See "Installation Instructions"</p>
Moisture forms on inside appliance walls.	<p>Weather is hot and humid, which increases internal rate of frost build-up. This is normal.</p> <p>Door is slightly open.</p> <p>Door is kept open too long, or is opened too frequently. Open the door less often.</p> <p>The door is not sealed properly.</p>
Moisture forms on outside of appliance.	<p>Door is slightly open, causing cold air from inside the appliance to meet warm moist air from outside.</p>
The door will not close properly.	<p>The appliance is not on a level surface.</p> <p>The gasket is dirty.</p> <p>The storage baskets are out of position.</p>

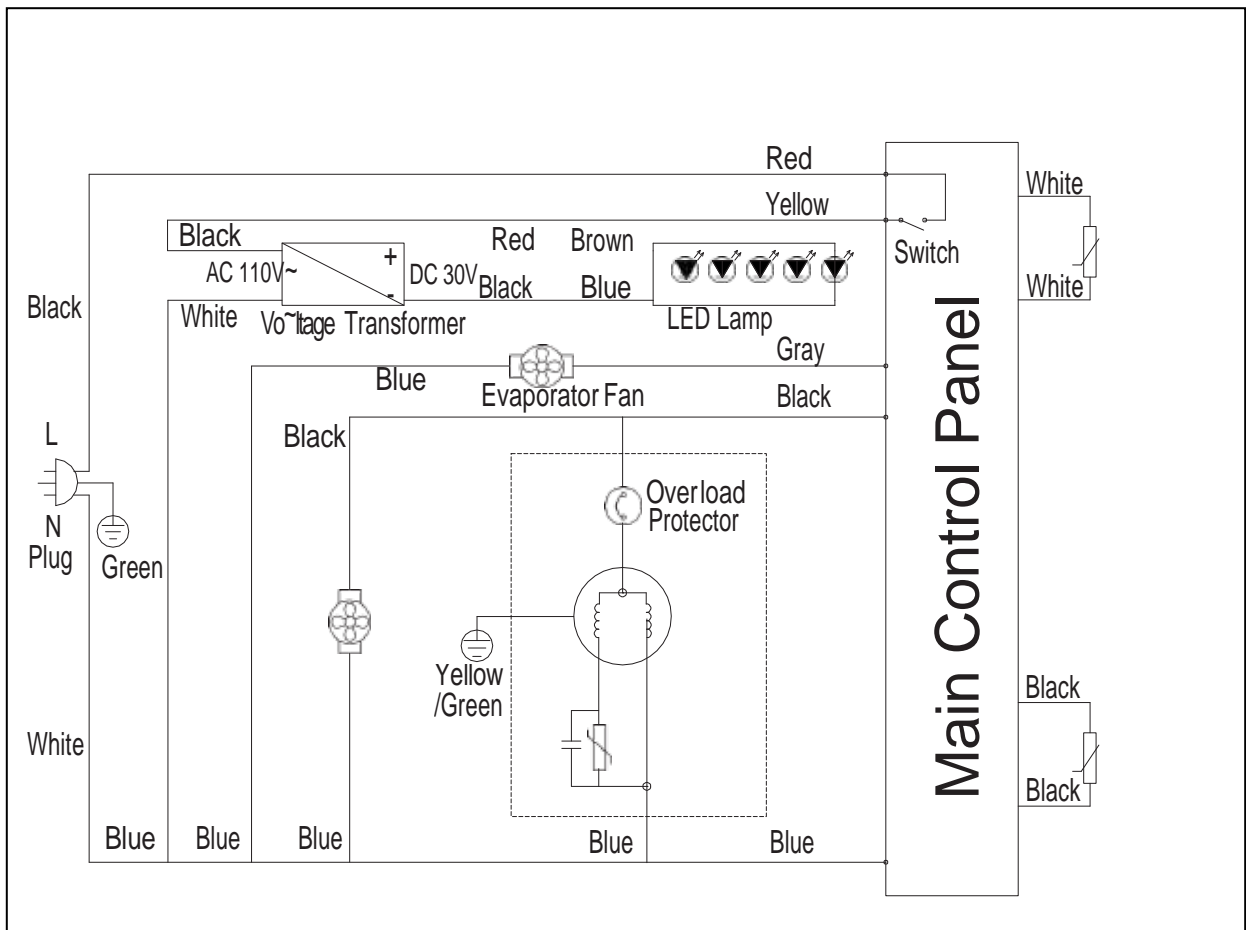
SERVICE FOR YOUR APPLIANCE

We are proud of our customer service organization and the network of professional service technicians that provide service on your Avanti appliances. With the purchase of your Avanti appliance, you can have the confidence that if you ever need additional information or assistance the Avanti Products Customer Service team will be here for you. Just call us toll-free.

AVANTI PRODUCTS CUSTOMER SERVICES

Product Information 800-323 5029	Whatever your questions are about our products, help is available.
Part Orders 800-220 5570	You may order parts and accessories that will be delivered directly to your home. You may order these items by personal check, money order, Master Card, or Visa.
In-Home Repair Service 800-220 5570	An Avanti Products authorized service center will provide expert repair service, scheduled at a time that is convenient for you. Our trained servicers know your appliance inside and out.

WIRING DIAGRAM



YOUR AVANTI PRODUCTS WARRANTY	Staple your sales receipt here. Proof of original purchase date is needed to obtain service under warranty.
<p><u>WHAT IS COVERED – LIMITED ONE-YEAR WARRANTY</u></p>	
<p>Avanti Products warrants that the product is free from defects in materials and/or workmanship for a period of twelve (12) months from the date of purchase by the original owner. The foregoing timeline begins to run upon the date of purchase, and shall not be stalled, tolled, extended, or suspended for any reason whatsoever unless described in detail in the warranty document. For one year from the date of purchase by the original owner, Avanti products will, at its option, repair or replace any part of the product which proves to be defective in material or workmanship under normal use. Avanti Products will provide you with a reasonably similar product that is either new or factory refurbished. During this period Avanti Products will provide all parts and labor necessary to correct such defects free of charge, so long as the product has been installed and operated in accordance with the written instructions in this manual. In rental or commercial use, the warranty period is 90 days. All Avanti appliances of 4.2 cubic feet capacity or less must be brought/sent to the appliance service center for repair.</p>	
<p><u>LIMITED SECOND THROUGH FIFTH YEAR WARRANTY</u></p>	
<p>For the second through the fifth year from the date of original purchase, Avanti Products will provide a replacement compressor free of charge due to a failure. You are responsible for the service labor and freight charges. In rental or commercial use, the limited compressor warranty is one year and nine months. Costs involved to move the product to the service center and back to the user's home, as maybe required, are the user's responsibility.</p>	
<p><u>WARRANTY EXCLUSIONS / WHAT IS NOT COVERED:</u></p>	
<p>The warranty coverage described herein excludes all defects or damage that are not the direct fault of Avanti Products, including without limitation, one or more of the following:</p>	
<ul style="list-style-type: none"> • A failure to comply with any applicable state, local, city, or county electrical, plumbing and/or building codes, regulations, or laws, including failure to install the product in strict conformity with local fire and building codes and regulations. • Any external, elemental and/or environmental forces and factors, including without limitation, rain, wind, sand, floods, fires, mud slides, freezing temperatures, excessive moisture or extended exposure to humidity, lightning, power surges, structural failures surrounding the appliance, and acts of God. 	
<ul style="list-style-type: none"> • Content losses of food or other content due to spoilage. • Incidental or consequential damages • Parts and labor costs for the following will not be considered as warranty: <ul style="list-style-type: none"> • Evaporator doors, door springs, and/or frames. • Inner door panels, door shelves, door rails, and/or door supports. • Light bulbs and/or plastic housing. • Plastic cabinet liners. • Punctured evaporator that voids the warranty on the complete sealed system. 	<ul style="list-style-type: none"> • Shipping and handling costs associated with the replacement of the unit. • Repairs performed by unauthorized servicers. • Service calls that are related to external problems, such as abuse, misuse, inadequate electrical power, accidents, fire, floods, or any other acts of God. • Failure of the product if it is used for other than it intended purpose. • The warranty does not apply outside the Continental USA. • Surcharges including but not limited to, any after hour, weekend, or holiday service calls, tolls, ferry trip charges, or mileage expense for service calls to remote areas.
<p>In no event shall Avanti Products have any liability or responsibility whatsoever for damage to surrounding property, including cabinetry, floors, ceilings, and other structures and/or objects around the product. Also excluded from this warranty are scratches, nicks, minor dents, and other cosmetic damages on external surfaces and exposed parts; Products on which the serial numbers have been altered, defaced or removed; service visits for customer education, or visits where there is nothing wrong with the product; correction of installation problems (you are solely responsible for any structure and setting for the product, including all electrical, plumbing and/or other connecting facilities, for proper foundation/flooring, and for any alterations including without limitation cabinetry, walls, floors, shelving etc., as well as the resetting of breakers or fuses.</p>	
<p><u>OUT OF WARRANTY PRODUCT</u></p>	
<p>Avanti Products is under no obligation, at law or otherwise, to provide you with any concessions, including repairs, pro-rates, or product replacement, once this warranty has expired.</p>	

INSTRUCCIONES DE SEGURIDAD

Su seguridad y la seguridad de los demás son muy importantes.

Hemos incluido muchos mensajes importantes de seguridad en este manual y en su aparato. Lea y obedezca siempre todos los mensajes de seguridad.



Éste es el símbolo de alerta de seguridad. Este símbolo le avisa de los peligros potenciales que pueden matar o lesionar a usted y otros. Toda la seguridad mensajes seguirá a la Seguridad Símbolo de alerta y cualquiera de los pabellones" PELIGRO", "ADVERTENCIA" o "PRECAUCIÓN".



Peligro significa que el incumplimiento de la medida de seguridad podría causar lesiones graves o la muerte.



Advertencia significa que si no se respeta esta medida de seguridad podría resultar en graves daños al producto, lesiones personales graves o la muerte.



Atención significa que el incumplimiento de la medida de seguridad podría resultar en menores o moderadas personales lesión, o la propiedad o daños al equipo.

Todo mensaje de seguridad le avisará a cuál es el peligro potencial, le dirán cómo reducir el riesgo de lesiones, y le hará saber lo que puede suceder si no se siguen las instrucciones.

MEDIDAS DE SEGURIDAD IMPORTANTES



Antes de enfriador de bebidas se utiliza, debe ser colocado correctamente e instalado como descrito en este manual, así que lea cuidadosamente el manual. Para reducir el riesgo de incendio, descarga eléctrica o lesiones al utilizar el enfriador de bebidas, Siga las precauciones básicas, incluyendo las siguientes:

! DANGER !

- Enchufe en unas 3 clavijas con conexión a tierra toma de corriente, hacer No retire de puesta a tierra púa, hacer No utilice un adaptador, y no utilice un cable de extensión
- Reemplazar todos los paneles antes operativos
- Eso se recomienda usar un circuito separado, que sólo sirve a su enfriador de bebidas, ser proporcionado. Use recipientes ese no poder ser desactivado por un interruptor o cadena
- Nunca limpie aparato piezas con líquidos inflamables. Estos vapores pueden crear un riesgo de incendio o explosión. Y no almacene ni use gasolina u otros vapores y líquidos inflamables en la proximidad de este o cualquier otro electrodoméstico. Los vapores pueden crear un riesgo de incendio o explosión.
- Antes de proceder con las operaciones de limpieza y mantenimiento, asegúrese de que la línea de alimentación de la unidad se desconecta.
- hacer No conecte o desconecte el enchufe eléctrico con las manos mojadas
- Desenchufe el aparato o desconectar el alimentación antes de la limpieza o el mantenimiento. El no hacerlo puede provocar una descarga eléctrica o la muerte.
- hacer No intente reparar o reemplazar cualquier parte de su aparato a menos que se recomiende específicamente en este material. Cualquier otro servicio debe ser realizado por un técnico cualificado.

! WARNING !

- Utilizar dos o más personas para mover e instalar el aparato. El no hacerlo puede resultar en la espalda u otras lesiones.
- Para garantizar una ventilación adecuada para su aparato, la unidad debe estar completamente despejada. Elija un área bien ventilada con temperaturas superiores a 550F (130C) y por debajo de 900F (32 0C). Esta unidad debe ser instalada en un área protegida del elementos, tales como el viento, la lluvia, rocío de agua o luz de sol.
- El aparato no debe colocarse cerca de hornos, parrillas u otras fuentes de calor.
- El aparato debe ser instalado con todas las conexiones eléctricas, de agua y de desagüe según los códigos estatales y locales. Hace falta un suministro eléctrico estándar (sólo 115 V CA, 60 Hz), debidamente conectada a tierra de acuerdo con el Código Eléctrico Nacional y los códigos y ordenanzas locales.
- Hacer No doble ni apriete el cable de alimentación del aparato.
- Los fusible (o disyuntor) tamaño debe ser de 15 amperios.
- Eso Es importante que el aparato a nivelarse con el fin de funcionar correctamente. Puede que tenga que hacer varios ajustes para nivelarla.
- Toda la instalación debe realizarse de acuerdo con los requerimientos locales de plomería.
- Asegúrese de que los tubos no están aplastar ni dañado durante instalación.
- Compruebe si hay fugas después de la conexión.
- Nunca permita que los niños operen, jueguen o gatear el interior del aparato
- Hacer No utilice productos de limpieza a base de disolvente-abrasivos en el interior. Estos limpiadores pueden dañar o decolorar el interior.
- No utilice este aparato para que no sea su finalidad.

Ayúdenos a ayudarte...

Lea detenidamente esta guía.

Se pretende que ayuden a utilizar y mantener su nuevo aparato correctamente.

Mantenga a la mano para responder a sus preguntas.

Si no entiende algo o si necesita más ayuda, por favor llame a:

**Avanti Servicio al Cliente
800-220-5570**

Mantenga prueba de la fecha original de compra (como el recibo de venta) con esta guía para establecer el período de garantía.

PRECAUCIÓN:

**ESTE APARATO NO ESTÁ
DISEÑADO PARA EL
ALMACENAMIENTO DE
MEDICINA U OTROS
PRODUCTOS MÉDICOS.**

Escribir se establece el modelo y número de serie.

Los encontrará en una placa situada en la pared exterior trasera del aparato.

Por favor, escriba estos números aquí:

Fecha de compra

Número de modelo

Número de serie

Utilice estos números en cualquier correspondencia o llamadas de servicio con respecto a su aparato.

Si ha recibido un aparato dañado, póngase inmediatamente en contacto con el distribuidor (o constructor) que le vendió el aparato.

Ahorrar tiempo y dinero. Antes de llamar al servicio técnico, consulte la Guía de solución de problemas. En él se enumeran las causas de los problemas de funcionamiento de menor importancia que se pueden corregir a sí mismo.

Si necesita servicio

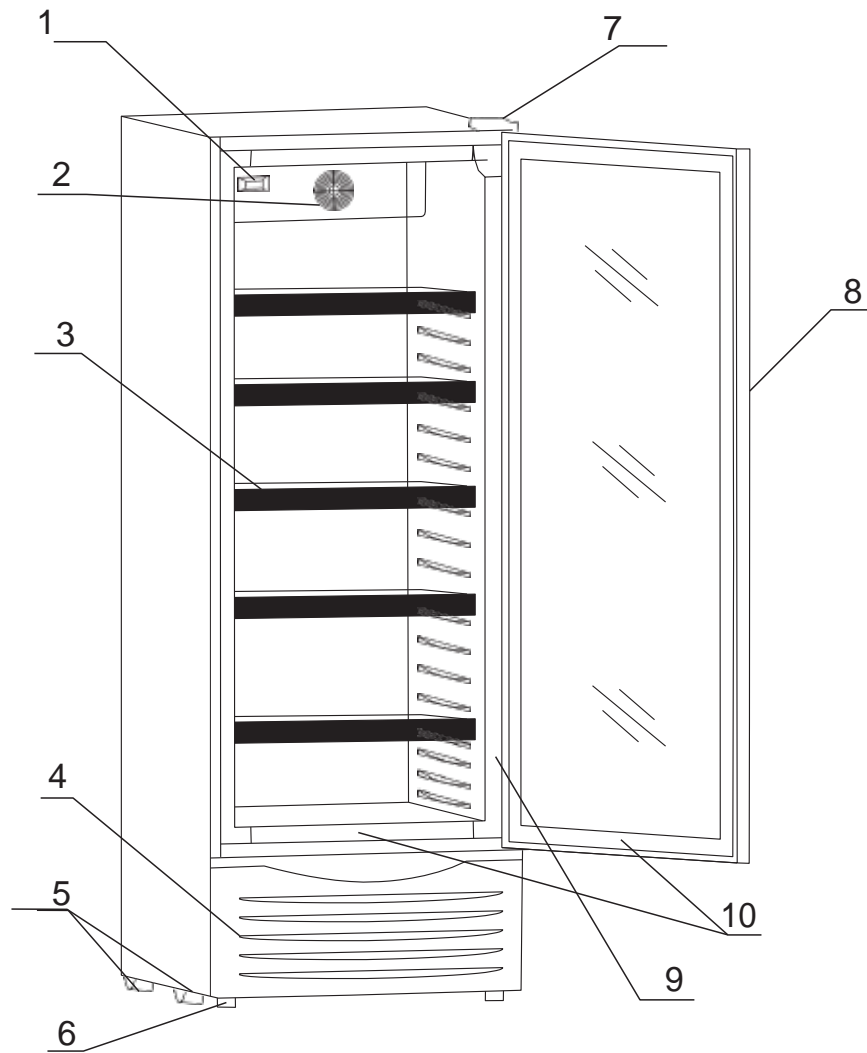
Estamos orgullosos de nuestro servicio y queremos que usted esté satisfecho. Si por alguna razón usted no está satisfecho con el servicio que recibe, aquí hay algunos pasos a seguir para obtener más ayuda.

PRIMERA, póngase en contacto con las personas que servicio de reparación del aparato. Explicar por qué usted no está satisfecho. En la mayoría de los casos, esto va a resolver el problema.

A continuación, si usted todavía no está contento, escribir todos los detalles, incluyendo su número de teléfono, y enviarlo a:

**Servicio al cliente
Productos Avanti
10880 NW 30 Calle
Miami, FL 33172 EE.UU.**

Piezas y características



1	Control de temperaturas
2	Ventilador
3	Repisas (Total - 5)
4	Parrilla delantera
5	Ruedas delanteras (Total 2)
6	Patas niveladoras
7	Bisagra superior
8	Puerta de vidrio con manija integrada
9	Luz interior
10	Cerradura de seguridad

INSTRUCCIONES DE SEGURIDAD IMPORTANTES

~ ADVERTENCIA ~	Para reducir el riesgo de incendio, descarga eléctrica o lesiones personales al usar su aparato, siga estas precauciones básicas:
<ul style="list-style-type: none">· Lea todas las instrucciones antes de usar el aparato.· PELIGRO o ADVERTENCIA: Riesgo de atrapamiento de niños. Niños atrapados y sofocación no son problemas del pasado. desechados o aparatos abandonados son un peligro, incluso si van a "sentarse en el garaje de unos días."· Antes de deshacerse de su viejo aparato: Quite las puertas. Deje los estantes en su lugar para que los niños no puedan entrar fácilmente en el interior.· Nunca permita que los niños operen, jueguen o entren dentro del aparato.· Nunca se separa del aparato de limpieza con líquidos inflamables. Los vapores pueden crear un riesgo de incendio o explosión.· No almacene ni use gasolina u otros vapores y líquidos inflamables en la proximidad de este o cualquier otro electrodoméstico. Los vapores pueden crear un riesgo de incendio o explosión. <p style="text-align: center;">-Guarda estas instrucciones-</p>	

INSTRUCCIONES DE INSTALACIÓN

Antes de usar su electrodoméstico

- Retire la envoltura interna y externa.
- Compruebe para asegurarse de que tiene toda la siguiente partes:

1	Manual de instrucciones
5	Repisas de bebidas
2	Llaves

- Antes de conectar el aparato a la fuente de alimentación, se deja reposar en posición vertical durante aproximadamente 2 horas. Esto reducirá la posibilidad de un mal funcionamiento en el sistema de refrigeración de la manipulación durante el transporte.
- Limpie la superficie interior con agua templada y un paño suave.

La instalación de su electrodoméstico

- **Este aparato está diseñado para funcionar apoyado, y no debe ser empotrado o de entrada.**
- Coloque el aparato sobre un piso que sea lo suficientemente fuerte como para soportar el aparato cuando está totalmente cargado.
- **Deje 5 pulgadas de espacio entre la parte posterior y los lados del aparato, lo que permite la circulación de aire necesaria para enfriar el compresor y el condensador.**
- Localizar el aparato alejado de la luz solar directa y de fuentes de calor (estufa, calentador, radiador, etc.). La luz solar directa puede afectar a la capa de acrílico y de fuentes de calor puede aumentar el consumo eléctrico. Temperaturas ambiente extremas de frío también pueden hacer que el aparato no funcione correctamente.
- Evite ubicar el aparato en áreas húmedas. El exceso de humedad en el aire hará que la formación de escarcha rápidamente en el evaporador que requiere descongelación más frecuente del aparato.
- Enchufe el aparato a una toma de tierra de la pared exclusivo e instale. Bajo ninguna circunstancia corte o quite la tercera pata (tierra) del cable de alimentación. Cualquier pregunta relacionada con el poder y la toma de tierra o deben ser dirigidas a un electricista certificado o un centro de servicio de Avanti Products.
- Después de conectar el aparato a una toma de pared, deje que la unidad se enfríe durante 2 a 3 horas antes de la colocación de artículos en el compartimiento.

NO instale la unidad en un lugar donde la temperatura ambiente se encuentra en 32 ° F o aumentar sobre 110 °F. TEMPERATURA AMBIENTE fuera de este rango afectará el rendimiento de su unidad y no permitirá mantener la temperatura adecuada.

Conexión eléctrica

~ Advertencia ~

El uso inapropiado del enchufe a tierra puede resultar en el riesgo de descarga eléctrica. Si el cable de alimentación está dañado, haga que sea reemplazado por un

Este aparato debe estar conectado a tierra adecuadamente para su seguridad. El cable eléctrico de este aparato está equipado con un enchufe de tres puntas que encajan con tres enchufes de pared standard para reducir al mínimo la posibilidad de una descarga eléctrica.

Bajo ninguna circunstancia corte o remueva la punta de tierra del cable de alimentación suministrado.

Esta aparato requiere una toma de corriente eléctrica 115Volts ~ / 60 Hz estándar con tierra de tres clavijas.

El cable debe ser asegurada detrás de la aparato y no dejarlo expuesto para evitar lesiones accidentales.

Nunca desenchufe el aparato tirando del cable de alimentación. Siempre sostenga firmemente el enchufe y tire en línea recta desde el receptáculo.

No utilice un cable de extensión con este aparato. Si el cable de alimentación es demasiado corto, haga que un electricista o técnico calificado instale un tomacorriente cerca del aparato.

La luz de "POWER" indica que el aparato está correctamente conectado a la corriente eléctrica. La luz indica la fuente de alimentación, y se encenderá incluso si el compresor no ha funcionado y el compartimento no está siendo enfriado.

Ø **Cable Extensión**

Debido a los peligros potenciales de seguridad bajo ciertas condiciones, se recomienda encarecidamente que no se utilice un cable de extensión con esta unidad. Sin embargo, si debe utilizar un cable de extensión es absolutamente necesario que se trate de un UL / CUL, 3 hilos con toma de tierra del aparato cable de extensión que tiene un enchufe y la toma a tierra y que la clasificación eléctrica del cable sea de 115 voltios y al menos 10 amperios.

Ø **PROTECTOR CONTRA SOBRETENSIONES**

La mayoría de los aparatos eléctricos utilizan una serie de cuadros de control eléctricos para operar. Estas placas son muy susceptibles a las subidas de tensión y podrían ser dañados o destruidos.

Si el aparato va a ser usado en un área o si su ciudad / país es propenso a subidas de tensión / interrupciones; se sugiere que utilice un protector contra sobretensiones alimentación de todos los dispositivos / aparatos eléctricos que utiliza. El estabilizador de tensión que se selecciona debe tener un bloque oleada suficientemente alto como para proteger el aparato está conectado a. Si usted tiene alguna pregunta relacionada con el tipo y tamaño de contacto necesario protector contra sobretensiones a un electricista autorizado en su área.

Los daños debidos a sobrecargas de energía no se consideran un fabricante cubre defectos y anulará la garantía del producto.

FUNCIONAMIENTO DEL APARATO

MEDIDAS DE SEGURIDAD IMPORTANTES:

NO guarde los alimentos en el refrigerador para bebidas, AS temperatura interior no puede conseguir lo suficientemente fría como para evitar su deterioro.

Como un resultado natural de la condensación, en meses de verano o de áreas de alta humedad, LA vidrio de la puerta la formación de humedad en el exterior.

Sólo limpie la basura.

Se recomienda que instale el aparato en un lugar donde la temperatura ambiente se encuentra entre 72° - 78°F (22° - 26°C). Si la temperatura ambiente está por encima o por debajo de las temperaturas recomendadas, el rendimiento de la unidad puede verse afectada. Por ejemplo, la colocación de la unidad en condiciones de frío o calor extremo puede causar temperaturas interiores fluctúen. No puede ser alcanzado 43°F (0°-6°C) - El rango de 32°.

Este refrigerador de bebidas está diseñado para operar con un rango de 32°-43°F (0°-6°C).

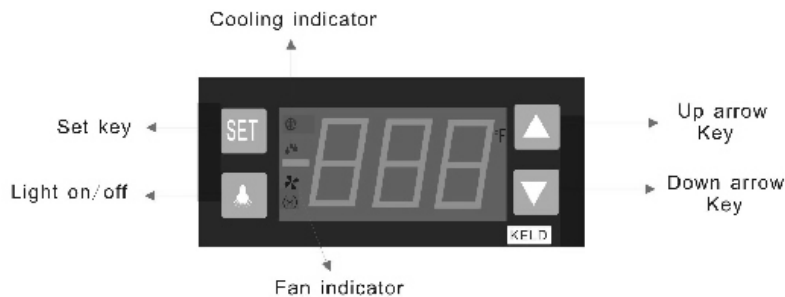
ON / OFF de alimentación

Su unidad está diseñada para encender tan pronto como el cable de alimentación está enchufado en una toma de corriente activa.

Atención:

Esta unidad está equipada con un sistema protector de potencia para proteger el compresor en caso de un corte de energía.

- Este sistema protector de potencia va a retrasar el ciclo de arranque del compresor para los "3" tres minutos tanto en la primera vez que la unidad esté enchufada y cuando hay un corte de energía.
- Una vez que la unidad se enchufa por primera vez o se restaure la alimentación a la unidad, el compresor arrancará el ciclismo después de tres (3) minutos de la fuente de alimentación ininterrumpida.
- Pantalla digital, iluminación LED y ajustes de temperatura funcionará con normalidad y no se verá afectado.



Control de temperatura

- El control de temperatura se encuentra en el lado superior izquierdo del compartimiento.
- La gama de los controles de temperatura de 32°F a 43°F.
- La primera vez que encienda la unidad, pulse el botón de ajuste y pulse el botón marcado ajustar la temperatura de 32°F.
- Después de 24 a 48 horas, ajuste el control de temperatura en la posición que mejor se adapte a sus necesidades; primero se pres
- Para desactivar el sistema de refrigeración, desconecte el aparato de la toma eléctrica.

Nota:

Además, la caída de aire frío y aire caliente sube, podría haber una ligera variación de la temperatura entre los estantes superiores e inferiores.

Almacenamiento

Muchas botellas pueden diferir en tamaño y dimensiones. A medida que el número real de tales botellas que puede ser capaz de almacenar puede variar.

Luz interior

Se puede activar la luz interior o desactivar pulsando el botón marcado luz del panel de control situado en el lado superior izquierdo del compartimiento.

Cerradura de seguridad en la puerta

La unidad está provista de una combinación de cerradura y llave. Las teclas están situadas dentro de la bolsa de plástico que contiene la Guía del usuario. Inserte la llave en la cerradura y gire hacia la derecha hasta que la puerta está abierta. Para cerrar la puerta hacer la operación inversa haciendo contacto de metal de seguro se dedica por completo. Retire la llave y colocarlo en un lugar seguro para su custodia.

Sistema – Auto-cierre en la puerta

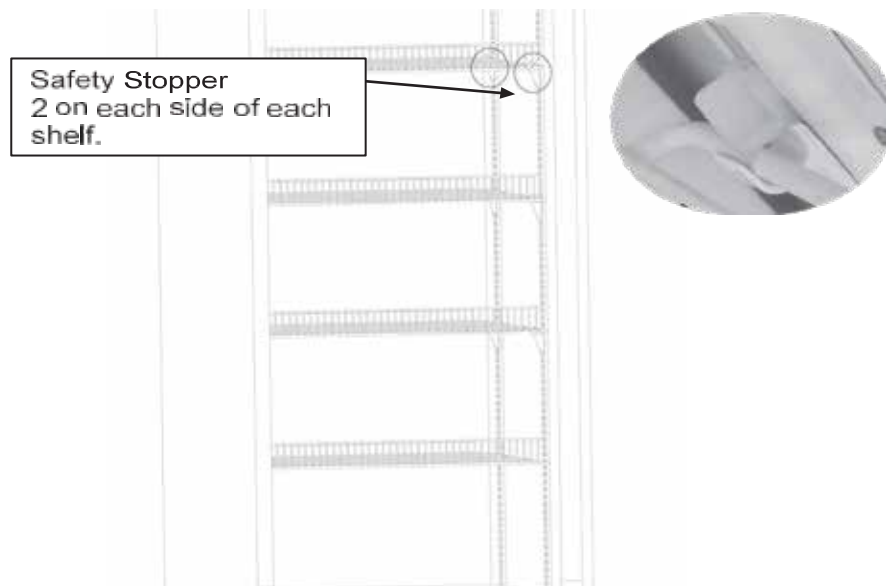
Para su comodidad, el enfriador de bebidas se ha diseñado con un mecanismo de cierre automático de la puerta que se cierra completamente la puerta y crear un sello positivo entre la junta de la puerta y el refrigerador.

Repisas

Para evitar dañar la junta de la puerta, asegúrese de tener la puerta todo el camino abierto al tirar de las estanterías fuera del compartimiento ferroviario.

Para facilitar el acceso a los contenidos de almacenamiento, puede tirar de las repisas de aproximadamente 1 "(1 pulgada) de su compartimiento, para su seguridad y comodidad esta unidad ha sido diseñada con (2) dos tapones de seguridad a cada lado de la pista para prevenir estantes de la caída.

Cuando la eliminación de cualquiera de estas repisas fuera del compartimiento, primero debe eliminar todos los artículos en las repisas, a continuación, desmonte y quitar los dos tapones de plástico mediante la eliminación de los toques de seguridad a cada lado de la plataforma.



CUIDADO Y MANTENIMIENTO

Limpiar la lavadora

- Tras la instalación de su nuevo aparato, se recomienda una limpieza completa.
- Desconecte el aparato, retirar el contenido.
- Lavar el interior con un paño húmedo caliente que contiene una solución de agua y bicarbonato sódico. La solución debe ser aproximadamente 2 cucharadas de bicarbonato de sodio a un litro de agua.
- Asegúrese de mantener la junta de la puerta (burlete) para mantener la unidad funcionando de manera eficiente.
- El exterior del aparato se debe limpiar con un detergente suave y agua tibia.
- Seque el interior y el exterior con un paño suave.

Moviendo su electrodoméstico

- Eliminar todo el contenido.
- Segura cinta adhesiva a todo sueltos en el interior del aparato.
- Retire los rodillos para evitar daños
- Cinta de la puerta cerrada.
- Asegúrese de que el aparato se mantiene en posición vertical durante el transporte.

Consejos para ahorrar energía

- El aparato debe estar situado en la zona más fría de la habitación, lejos de producir calor aparatos o conductos de calefacción, y fuera de la luz directa del sol.
- La sobrecarga del aparato hace que el compresor funcione durante más tiempo.
- estantes de electrodomésticos no deben ser forradas con papel de aluminio, papel encerado o toallas de papel. Los forros interfieren con la circulación de aire frío, por lo que el aparato menos eficiente.

SUS GARANTIA DE AVANTI PRODUCTS	Grapa su recibo de compra aquí. Se necesita un comprobante de la fecha de compra original para obtener servicio bajo garantía.
COBERTURA - GARANTÍA LIMITADA DE UN AÑO	
<p>Avanti Products garantiza que el producto está libre de defectos en materiales y / o mano de obra durante un período de doce (12) meses desde la fecha de compra por el propietario original. El tiempo mencionado arriba comienza a ejecutarse a partir de la fecha de compra, y no se puede detener, estar sujeto a derechos, extender o suspender por cualquier motivo no ser que se describe en detalle en el documento de garantía. Durante un año a partir de la fecha de compra por el propietario original, los productos de Avanti, a su elección, reparará o reemplazará cualquier parte del producto que resulta ser defectuosa en material o mano de obra bajo condiciones normales de uso. Avanti Products le proporcionará un producto parecido al original, ya sea nuevo o restaurado de fábrica. Durante este período de Avanti Products proporcionará todas las piezas y mano de obra necesarias para corregir dichos defectos de forma gratuita, siempre y cuando el producto ha sido instalado y operado de acuerdo con las instrucciones escritas en este manual. En el uso de alquiler o comercial, el periodo de garantía es de 90 días. Todos los aparatos de Avanti de 4.2 pies cúbicos de capacidad o menos deben ser llevados / enviado al centro de servicio del aparato para su reparación.</p>	
SEGUNDO A TRAVÉS DE GARANTÍA LIMITADA DE QUINTO AÑO	
<p>Para el segundo hasta el quinto año desde la fecha de compra original, Avanti Products proporcionará un compresor de reemplazo de forma gratuita debido a un fallo. Usted es responsable de las cargas de trabajo y de carga de servicio. En el uso de alquiler o comercial, la garantía del compresor es limitada a un año y nueve meses. Costos involucrados para mover el producto al centro de servicio y de vuelta a la casa del usuario, como tal requiere, son responsabilidad del usuario.</p>	
EXCLUSIONES DE LA GARANTÍA / ¿Qué no cubre:	
<p>La cobertura de la garantía se describe aquí excluye todos los defectos o daños que no son la responsabilidad directa de los productos de Avanti, incluyendo, sin limitación, uno o más de los siguientes:</p>	
<ul style="list-style-type: none"> • Un incumplimiento de cualquier estado, la localidad, ciudad, condado o instalaciones eléctricas, hidráulicas y / o códigos de construcción, reglamentos o leyes, incluyendo la falta de instalar el producto en estricta conformidad con los códigos y reglamentos contra incendios y de construcción locales. • Cualquier fuerzas y factores, incluyendo, sin limitación, la lluvia, el viento, la arena, inundaciones, incendios, deslizamientos de lodo, temperaturas de congelación, humedad excesiva o la exposición prolongada a la humedad, rayos externos, elementales y / o ambientales, sobretensiones, fallas estructurales alrededor del aparato y los actos de Dios. 	
<ul style="list-style-type: none"> • las pérdidas de contenido de alimentos o de otros contenidos debido a su deterioro. • Los daños incidentales o consecuentes • Piezas y mano de obra para los siguientes no serán consideradas como garantía: <ul style="list-style-type: none"> • puertas del evaporador, resortes de la puerta, y / o marcos. • paneles interiores de puertas, estantes de la puerta, los carriles de las puertas, y / o soportes de la puerta. • bombillas y / o carcasa de plástico. • revestimientos de plástico del gabinete. • Pinchado evaporador que anula la garantía en el sistema sellado completo. 	<ul style="list-style-type: none"> • Costes de envío asociados a la sustitución de la unidad. • Reparaciones realizadas por servicio sin autorización. • Las llamadas de servicio que están relacionados con los problemas externos, tales como abuso, mal uso, suministro eléctrico inadecuado, accidentes, incendios, inundaciones, o cualquier otro acto de Dios. • Fallas del producto si se utiliza para otra cosa que tenía la intención propósito. • La garantía no se aplica fuera de los EE.UU. continental. • Recargos incluyendo pero no limitado a, cualquier tras hora, llamadas de fin de semana o vacaciones de servicios, peajes, pasajes de transporte o gastos de kilometraje para llamadas de servicio a zonas remotas.
<p>En ningún caso Avanti Products tener ninguna obligación o responsabilidad alguna por daños a la propiedad cercana al aparato, incluyendo gabinetes, pisos, techos y otras estructuras y / o objetos alrededor del producto. También se excluyen de esta garantía los arañazos, golpes, abolladuras menores, y otros daños cosméticos en superficies externas y partes expuestas; Productos en los que se han alterado los números de serie, dañado o eliminado; visitas de servicio para la educación del cliente, o visitas donde no hay nada mal con el producto; corrección de problemas de instalación (usted es el único responsable de cualquier estructura y entorno para el producto, incluyendo todas las instalaciones eléctricas, de fontanería y / u otras instalaciones de conexión, para la cimentación / pisos adecuados y para alteraciones incluyendo sin limitación gabinetes, paredes, pisos, estanterías etc., así como el reajuste de interruptores o fusibles.</p>	
A PARTIR DEL PRODUCTO GARANTÍA	
<p>Avanti Products no tiene ninguna obligación, por ley o de otro modo, para ofrecerle ninguna concesión, incluidas las reparaciones, pro-tarifas, o el reemplazo del producto, una vez que esta garantía ha expirado.</p>	

APPAREIL SÉCURITÉ

Votre sécurité et celle des autres sont très importantes.

Nous avons fourni de nombreux messages de sécurité importants dans ce manuel et sur votre appareil. Toujours lire et obéir à tout message de sécurité.



C'est le symbole d'alerte de sécurité. Ce symbole vous signale les dangers potentiels peut tuer ou blesser vous et d'autres. Tout sécurité messages suivra la sécurité symbole d'alerte et soit les quartiers " DANGER", "ATTENTION" ou "PRUDENCE".



Danger signifie que le non-respect de cette déclaration de sécurité peut entraîner des blessures ou la mort.



Attention signifie que le non-respect de cette déclaration de sécurité peut entraîner des dommages importants du produit, des blessures graves ou la mort.



Attention signifie que le non-respect de cette déclaration de sécurité peut entraîner des mineures ou modérées blessures, ou des biens ou des dommages matériels.

Tout message de sécurités vous alertera à quel est le danger potentiel et vous disent comment réduire le risque de blessure, et vous permettent de savoir ce qui peut arriver si les instructions ne sont pas suivies.

APPAREIL SÉCURITÉ



Avant le refroidisseur de boisson est utilisé, il doit être correctement positionné et installé comme décrit dans ce manuel, afin de lire attentivement le manuel. Pour réduire le risque d'incendie, choc ou de blessure électrique lors de l'utilisation du refroidisseur de boisson, Suivez les précautions de bases, comprenant les éléments suivants:



- Brancher sur une 3 broches mise à la terre sortie, faire pas enlever la terre broches, faire pas utiliser un adaptateur, et ne pas utiliser une rallonge
- Remplacer tous les panneaux avant exploitation
- Il est recommandé d'utiliser un circuit distinct, qui sert uniquement votre refroidisseur de boisson, fournir. Utilisez des récipients cette ne peut pas être désactivé par une chaîne de traction interrupteur ou
- ne jamais nettoyer appareil pièces avec des liquides inflammables. Ces vapeurs peuvent créer un risque d'incendie or explosion. Et ne pas stocker ou utiliser de l'essence ou d'autres vapeurs et liquides inflammables à proximité de cet appareil ou de tout autre appareil. Les vapeurs peuvent créer un risque d'incendie ou d'explosion.
- Avant de procéder à des opérations de nettoyage et d'entretien, assurez-vous que la ligne d'alimentation de l'appareil est débranchée.
- Faire pas brancher ou débrancher la prise électrique lorsque vos mains sont humides
- Débranchez le appareil ou déconnecter la alimentation avant le nettoyage ou l'entretien. Ne pas le faire peut entraîner un choc électrique ou la mort.
- Faire pas tenter de réparer ou de remplacer une partie de votre appareil à moins qu'il ne soit spécifiquement recommandé dans ce matériau. Toutes les autres réparations doivent être confiées à un technicien qualifié.



- Utilisation deux personnes ou plus pour déplacer et installer l'appareil. Ne pas le faire peut entraîner dans le dos ou d'autres blessures.
- Pour assurer une bonne ventilation de votre appareil, l'appareil doit être complètement dégagé. Choisissez un endroit bien aéré avec des températures supérieures à 550F (130C) et au-dessous 900F (32 0C). Cet appareil doit être installé dans une zone protégée de l'élément, Comme le vent, la pluie, de l'eau pulvérisée ou lumière du soleil.
- l'appareil ne doit pas être situé à côté de fours, grilles ou autres sources de chaleur élevée.
- L'appareil doit être installé avec toutes les connexions électriques, d'eau et d'évacuation, conformément à codes étatiques et locaux. Une alimentation électrique standard (115 V CA seulement, 60 Hz), mise à la terre conformément au Code national de l'électricité et les codes et règlements locaux est nécessaire.
- Faire pas plier ou pincer le cordon d'alimentation du appareil.
- Le fusible (ou disjoncteur) doit être de 15 ampères.
- Il est important pour l'appareil soit à niveau afin de fonctionner correctement. Vous devrez peut-être faire plusieurs ajustements à niveler.
- Toute installation doit être conforme aux exigences du code de plomberie locale.
- Assurez-vous que les tuyaux ne sont pas pincés ou pliés ou endommagés au cours installation.
- Vérifier les fuites après connexion.
- Ne jamais laisser les enfants utiliser, jouer avec ou crawl à l'intérieur de l'appareil
- Faire pas utiliser de produits de nettoyage à base de solvants or abrasifs sur l'intérieur. Ces nettoyeurs peuvent endommager ou décolorer l'intérieur.
- Ne pas utiliser cet appareil pour d'autres fins que celles prévues.

AIDEZ NOUS À VOUS AIDER ...

Lisez attentivement ce guide.

Il est destiné à vous aider à utiliser et à maintenir votre nouvel appareil correctement.

Gardez-le à portée de main pour répondre à vos questions.

Si vous ne comprenez pas quelque chose ou vous avez besoin de plus d'aide, s'il vous plaît appelez:

**Avanti Service à la clientèle
800-220-5570**

Gardez preuve de la date d'achat d'origine (tel que votre bordereau de vente) avec ce guide pour établir la période de garantie.

PRUDENCE:

**CET APPAREIL EST PAS
CONÇU POUR LE STOCKAGE
DE MÉDECINE OU D'AUTRES
PRODUITS MÉDICAUX.**

Écrire le modèle et le numéro de série.

Vous les trouverez sur une plaque située sur la paroi extérieure arrière de l'appareil.

S'il vous plaît écrire ces chiffres ici:

Date d'achat

Numéro de modèle

Numéro de série

Utilisez ces numéros dans toute correspondance ou appels de service concernant votre appareil.

Si vous avez reçu un appareil endommagé, contactez immédiatement le revendeur (ou le constructeur) qui vous a vendu l'appareil.

Gagnez du temps et de l'argent. Avant d'appeler le service, consultez le Guide de dépannage. Il énumère les causes des problèmes de fonctionnement mineurs que vous pouvez vous corriger.

SI VOUS AVEZ BESOIN DE SERVICE

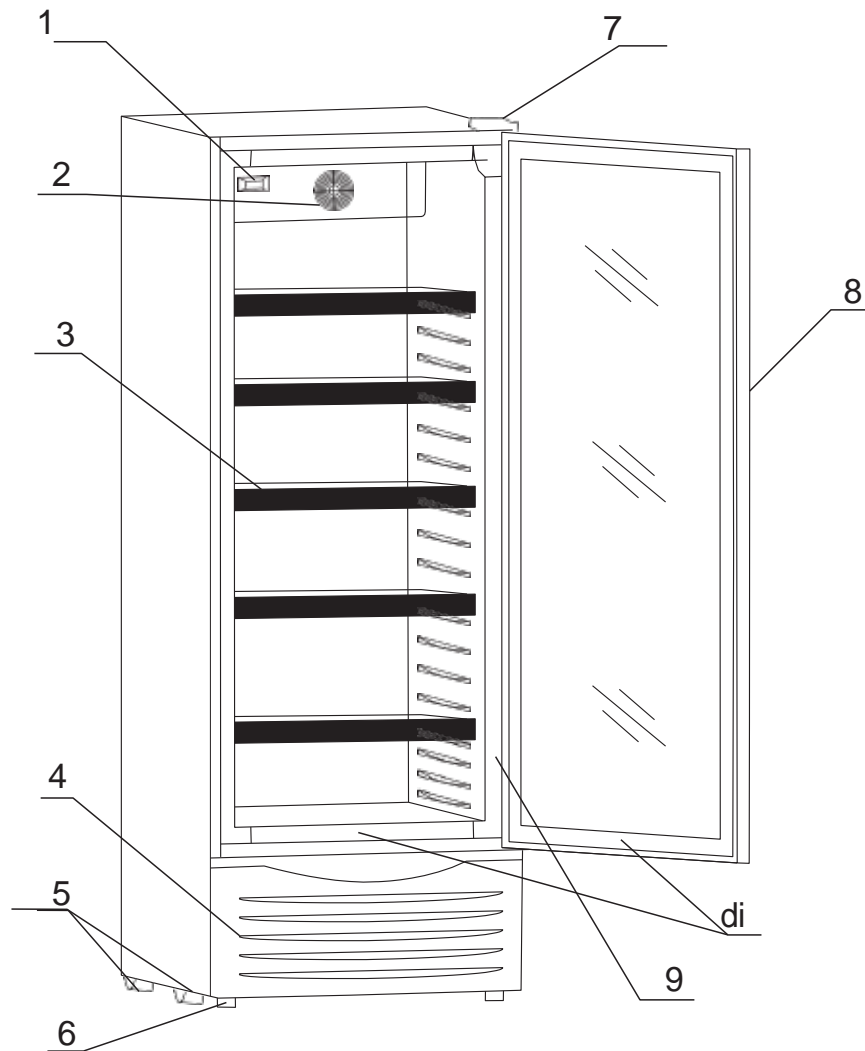
Nous sommes fiers de notre service et nous voulons que vous soyez heureux. Si pour une raison quelconque vous n'êtes pas satisfait du service que vous recevez, voici quelques étapes à suivre pour obtenir de l'aide.

FIRST, contacter les gens qui ont réparé votre appareil. Expliquez pourquoi vous n'êtes pas satisfait. Dans la plupart des cas, cela va résoudre le problème.

Ensuite, si vous n'êtes toujours pas satisfait, écrivez tous les détails, y compris votre numéro de téléphone, et l'envoyer à:

**Service Clients
Avanti Produits
10880 NW 30 Street
Miami, FL 33172 USA**

PIÈCES ET CARACTÉRISTIQUES



1	Contrôle de la température
2	Ventilateur
3	Tablettes (5)
4	Grille
5	Roulettes
6	Pieds nivelants
7	Charnière
8	Porte en verre avec poignée intégrée
9	Éclairage intérieur
10	Verrouillage de sécurité

CONSIGNES DE SÉCURITÉ IMPORTANTES

~ ATTENTION ~	Pour réduire le risque d'incendie, d'électrocution ou de blessure lors de l'utilisation de votre appareil, suivre ces précautions de base:
<ul style="list-style-type: none">· Lisez toutes les instructions avant d'utiliser l'appareil.· DANGER ou ATTENTION: Risque d'enfermement des enfants. piégeage des enfants et la suffocation ne sont pas des problèmes du passé. ferraille ou appareils abandonnés sont encore dangereux, même s'ils "juste assis dans le garage quelques jours."· Avant de jeter votre ancien appareil: Enlever les portes. Laissez les étagères en place afin que les enfants ne puissent pas grimper facilement à l'intérieur.· Ne jamais laisser les enfants utiliser, jouer avec, ou ramper à l'intérieur de l'appareil.· Jamais pièces d'appareils propres avec des liquides inflammables. Les vapeurs peuvent créer un risque d'incendie ou d'explosion.· Ne pas entreposer ou utiliser d'essence ou d'autres vapeurs et liquides inflammables à proximité de cet appareil ou de tout autre appareil. Les vapeurs peuvent créer un risque d'incendie ou d'explosion. <p style="text-align: center;">-Enregistrez Ces INSTRUCTIONS-</p>	

INSTRUCTIONS D'INSTALLATION

Avant d'utiliser votre appareil

- Retirez l'emballage extérieur et intérieur.
- Vérifiez que vous avez tous les suivant les pièces:

1	Manuel d'instructions
5	Étagères boissons
2	Clés

- Avant de connecter le appareil à la source d'alimentation, le laisser se tenir debout pendant environ 2 heures. Cela permettra de réduire la possibilité d'un mauvais fonctionnement du système de refroidissement lors de la manipulation durant le transport.

Installation de votre appareil

- **Cet appareil est conçu pour être debout libre seulement, et ne doit pas être encastré ou intégré.**
- Placez votre appareil sur un sol qui est assez solide pour supporter l'appareil quand il est complètement chargé.
- **Autoriser 5 pouces d'espace entre l'arrière et les côtés de l'appareil, ce qui permet la circulation de l'air pour refroidir le compresseur et le condenseur.**
- Repérez l'appareil loin de la lumière du soleil directe et des sources de chaleur (cuisinière, chauffage, radiateur, etc.). La lumière solaire directe peut affecter le revêtement acrylique et sources de chaleur peuvent augmenter la consommation électrique. Les températures ambiantes froides extrêmes peuvent aussi causer l'appareil de ne pas fonctionner correctement.
- Éviter de placer l'appareil dans les zones humides. Trop d'humidité dans l'air provoquera le gel pour former rapidement sur l'évaporateur nécessitant un dégivrage plus fréquent de l'appareil.
- Branchez l'appareil dans une prise murale exclusive installé correctement mise à la terre. Ne pas en aucun cas réduire ou supprimer la troisième (terre) du cordon d'alimentation. Toute question concernant le pouvoir et ou mise à la terre doivent être adressées à un électricien certifié ou un centre de service Avanti Produits autorisé.
- Après avoir branché l'appareil dans une prise murale, laissez l'appareil refroidir pendant 2 à 3 heures avant de placer des objets dans le compartiment.

NE PAS INSTALLER L'APPAREIL DANS UN ENDROIT OÙ LA TEMPÉRATURE AMBIANTE descend au-dessous de 32 ° F OU élevons au-dessus de 110 °F. TEMPERATURES AMBIANTES dehors de cette plage affectera les performances de la machine et ne lui permettra pas de maintenir la bonne température.

Connexion électrique

~ Attention ~

Une mauvaise utilisation de la prise de terre peut entraîner un risque de choc électrique.
Si le cordon d'alimentation est endommagé, faites-le remplacer par un centre de service

Cet appareil doit être correctement mis à la terre pour votre sécurité. Le cordon d'alimentation de cet appareil est équipé d'une fiche à trois broches qui accouple avec trois standards prises murales broches afin de minimiser le risque de choc électrique.

Ne pas en aucun cas couper ou enlever la troisième broche de terre du cordon d'alimentation fourni.

Cet appareil nécessite une prise électrique standard 115Volts ~ / 60Hz avec le sol à trois broches.

Le cordon doit être fixé derrière le appareil et non laissés exposés ou qui pendent pour prévenir les blessures accidentelles.

Ne jamais débrancher l'appareil en tirant sur le cordon d'alimentation. Toujours saisir fermement la fiche et tirez tout droit sorti de la prise.

Ne pas utiliser une rallonge avec cet appareil. Si le cordon d'alimentation est trop court, demandez à un électricien qualifié ou un technicien de service installer une prise près d'appareil.

La lumière "POWER" indique que l'appareil est correctement connecté à l'alimentation électrique. Le voyant lumineux indique l'alimentation électrique, et brillera même si le compresseur n'a pas réussi à travailler et le compartiment ne soit pas refroidi.

Ø **Rallonge électrique**

En raison des risques potentiels pour la sécurité dans certaines conditions, il est fortement recommandé de ne pas utiliser une rallonge avec cet appareil. Toutefois, si vous devez utiliser une rallonge, il est absolument nécessaire que ce soit un UL / CUL, 3 fils de terre appareil rallonge ayant une fiche de mise à la terre et à la sortie et que la puissance électrique du câble est de 115 volts et au moins 10 ampères.

Ø **PARASURTENSEUR**

La plupart des appareils électriques utilisent une série de tableaux de commande électriques pour fonctionner. Ces cartes sont très sensibles aux surtensions et pourraient être endommagés ou détruits.

Si l'appareil va être utilisé dans une zone ou si votre ville / pays est sujette à des surtensions / coupures; il est suggéré que vous utilisez un dispositif de protection contre les surtensions pour tous les dispositifs / appareils électriques que vous utilisez. Le protecteur de surtension que vous sélectionnez doit avoir un bloc de poussée suffisamment élevé pour protéger l'appareil, il est connecté. Si vous avez des questions concernant le type et la taille d'un protecteur de surtension contact nécessaire à un électricien agréé dans votre région.

Les dommages dus à des surtensions ne sont pas considérés comme un fabricant couvert défaut et annulera la garantie du produit.

UTILISATION DE VOTRE APPAREIL

GARANTIES IMPORTANTES:

NE PAS CONSERVER LES ALIMENTS DANS LE CENTRE DE BOISSON, AS TEMPÉRATURE INTÉRIEURE NE PEUT ARRIVER COOL ASSEZ POUR ÉVITER GASPILLAGE.

EN CONSEQUENCE NATURELLE DE CONDENSATION, EN MOIS OU ZONES DE HAUTE HUMIDITÉ ÉTÉ, LA PORTE EN VERRE PEUT CONSTRUIRE HUMIDITÉ À L'EXTÉRIEUR. VOLET JUSTE LOIN.

Il est recommandé d'installer l'appareil dans un endroit où la température ambiante est comprise entre 72° - 78°F (22° - 26°C). Si la température ambiante est au-dessus ou en dessous des températures recommandées, le rendement de l'unité peut être affectée. Par exemple, en plaçant l'appareil dans des conditions extrêmes froides ou chaudes peut entraîner des températures intérieures de fluctuer. La gamme de 32° - 43°F (0°-6°C) ne peut pas être atteint.

Ce refroidisseur de boisson est conçu pour fonctionner avec une gamme de 32°-43°F (0°-6°C).

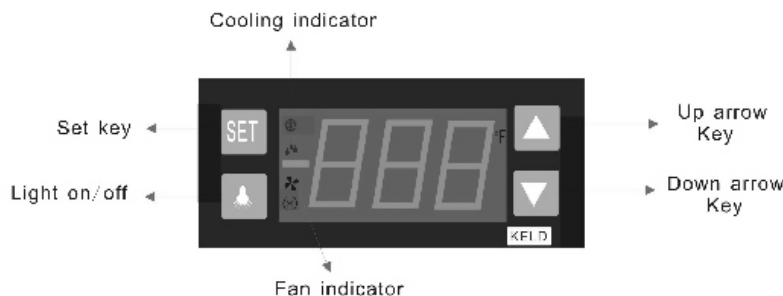
ON / OFF Alimentation

Votre appareil est conçu pour mettre en marche dès que le cordon d'alimentation est branché dans une prise active.

Attention:

Cette unité est équipée d'un système de retard de puissance pour protéger le compresseur en cas de panne de courant.

- Ce système de retard de puissance va retarder le cycle de démarrage du compresseur pour "3" trois minutes à la fois à la première fois que l'appareil est branché et quand il y a une panne de courant.
- Une fois que l'appareil est branché pour la première fois ou de puissance a été restauré à l'unité, le compresseur commencera à vélo après trois (3) minutes d'alimentation électrique sans interruption.
- Affichage numérique, éclairage LED et les paramètres de température fonctionne normalement et ne pas être affectés.



Contrôle de la température

- Le contrôle de la température est situé dans la partie supérieure gauche du compartiment.
- La gamme des contrôles de température de 32°F à 43°F.
- La première fois que vous allumez l'appareil, appuyez sur le bouton de réglage, puis appuyez sur le bouton marqué
- Après 24 à 48 heures, réglez la commande de température au réglage qui convient le mieux à vos besoins;
- Pour désactiver le système de refroidissement, débranchez l'appareil de la prise électrique.

Remarque:

En outre, la chute de l'air froid et l'air chaud monte, il pourrait y avoir une légère variation de température entre les étagères supérieures et inférieures.

Stockage

Beaucoup de bouteilles peuvent varier en taille et les dimensions. En tant que tel le nombre réel de bouteilles que vous pourriez être en mesure de stocker peut varier.

Lumière intérieure

Vous pouvez activer l'éclairage intérieur ou en appuyant sur le bouton marqué Lumière sur le panneau de commande situé sur le côté supérieur gauche du compartiment.

Verrouillage de sécurité

L'appareil est muni d'une serrure et clé. Les touches sont situées à l'intérieur du sac en plastique qui contient le Guide de l'utilisateur. Insérez la clé dans la serrure et la tourner vers la droite pour verrouiller la porte. Pour verrouiller la porte faire l'opération inverse en veillant à la broche métallique est engagé complètement. Retirez la clé et placez-le dans un endroit sûr pour la garde.

Auto-fermeture de la porte

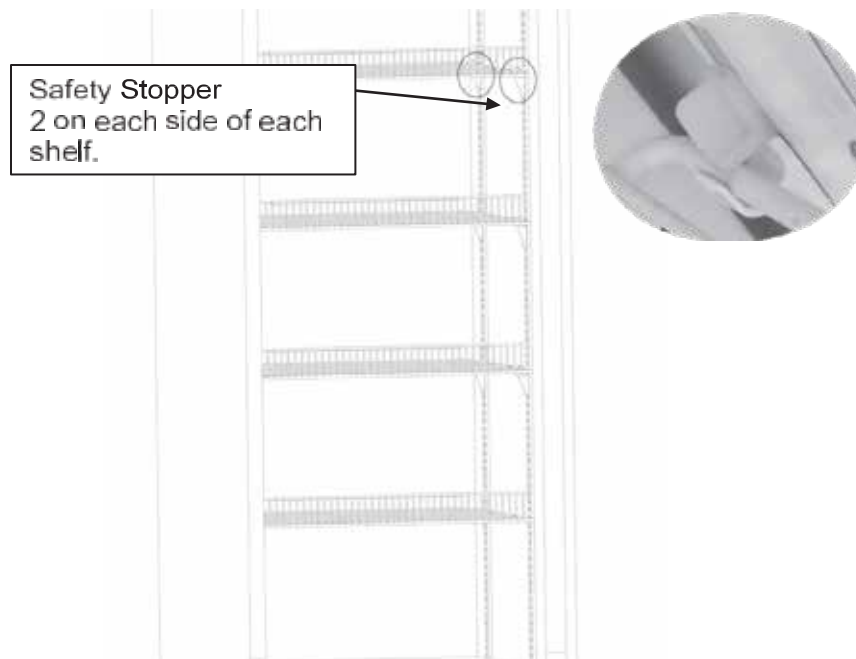
Pour votre commodité, votre unité a été conçu avec un mécanisme de porte à fermeture automatique qui va complètement fermer la porte et de créer une étanchéité entre le joint de la porte et le refroidisseur.

Étagères

Pour éviter d'endommager le joint de la porte, assurez-vous d'avoir la porte tout le chemin ouvert en tirant les étagères du compartiment de chemin de fer.

Pour faciliter l'accès au contenu de stockage, vous pouvez tirer les étagères d'environ 1 "(1 pouce) du compartiment, pour votre sécurité et la commodité de cet appareil a été conçu avec deux (2) bouchons de sécurité de chaque côté de la piste de plateau pour empêcher étagères de tomber.

Lors du retrait de l'une de ces tablettes hors du compartiment, vous devez d'abord supprimer tous les éléments des étagères, puis démontage et enlever les deux bouchons en plastique en enlevant les bouchons de sécurité de chaque côté du plateau.



SOINS ET ENTRETIEN

Nettoyage de votre appareil

- Lors de l'installation de votre nouvel appareil, il est recommandé qu'il soit nettoyé à fond.
- Débranchez l'appareil, retirer le contenu.
- Laver l'intérieur avec un chiffon humide et chaud contenant une solution de soude et de l'eau de cuisson. La solution devrait être d'environ 2 cuillères à soupe de bicarbonate de soude à un litre d'eau.
- Assurez-vous de garder le joint de la porte (joint) propre à maintenir l'unité de fonctionner efficacement.
- L'extérieur de l'appareil doit être nettoyé avec un détergent doux et de l'eau chaude.
- Sécher l'intérieur et l'extérieur avec un chiffon doux.

Déplacement de votre appareil

- Retirez tout le contenu.
- Solidement ruban adhésif vers le bas tous les articles en vrac à l'intérieur de l'appareil.
- Retirez les rouleaux pour prévenir les dommages
- Collez la porte fermée.
- Assurez-vous que l'appareil reste en position verticale pendant le transport.

Économiser de l'énergie

- L'appareil doit être situé dans la zone la plus froide de la pièce, loin de la chaleur produisant des appareils ou des conduits de chauffage, et hors de la lumière directe du soleil.
- Surcharge de l'appareil oblige le compresseur à fonctionner plus longtemps.
- les tablettes des appareils ne doivent pas être recouvertes de papier d'aluminium, papier ciré ou du papier absorbant. Liners interférer avec la circulation d'air froid, ce qui rend l'appareil moins efficace.

PROBLÈMES AVEC VOTRE APPAREIL?

Vous pouvez résoudre de nombreux problèmes de l'appareil commun facilement, vous permet d'économiser le coût d'un appel de service possible. Essayez les suggestions ci-dessous pour voir si vous pouvez résoudre le problème avant d'appeler le réparateur.

GUIDE DE DÉPANNAGE

PROBLÈME	CAUSE POSSIBLE
L'appareil ne fonctionne pas.	Non branché. Le disjoncteur est déclenché ou un fusible grillé. retard de puissance du compresseur est activé, ce qui retarde la puissance ou le vélo du compresseur pour trois (3) minutes après une panne de courant ou la première fois que l'appareil est branché.
Compresseur allume et éteint fréquemment.	La température ambiante est plus chaude que la normale. Une grande quantité de nourriture a été ajoutée à l'appareil. La porte est ouverte trop souvent. La porte ne se ferme pas complètement. Le contrôle de la température ne soit pas correct. Le joint de la porte ne se referme pas correctement. L'appareil ne possède pas les autorisations correctes. L'appareil a récemment été débranché pendant une période de temps. Quatre heures sont nécessaires pour l'appareil refroidir complètement.
Température à l'intérieur de l'appareil est trop chaude.	Contrôle de la température est trop chaude. Tournez la commande à un réglage plus froid et permettre à plusieurs heures pour la température se stabilise. La porte est maintenue ouverte trop longtemps ou est ouverte trop fréquemment. L'air chaud pénètre dans l'appareil à chaque fois que la porte est ouverte. Ouvrez la porte moins souvent. La porte ne se ferme pas complètement. Le joint de la porte ne se referme pas correctement. L'appareil a récemment été débranché pendant une période de temps. Quatre heures sont nécessaires pour l'appareil refroidir complètement.
La lumière ne fonctionne pas.	Non branché. Le disjoncteur est déclenché ou un fusible bleu. Le bouton de la lumière est éteint.
Appliance semble faire trop de bruit.	Le bruit de cliquetis peut provenir de l'écoulement du fluide frigorigène, ce qui est normal. Comme chaque cycle se termine, vous pouvez entendre des gargouillis causés par l'écoulement

	<p>du fluide frigorigène dans votre unité. Contraction et expansion des parois internes peuvent provoquer des craquements et des. L'appareil n'est pas de niveau.</p>
Vibrations.	<p>Vérifier afin d'assurer que l'appareil ne se trouve pas sur une surface plane. Le plancher est inégal ou faible. roches appareils sur le sol quand il est déplacé légèrement. Assurez-vous de chaussée peut supporter adéquatement l'appareil. Niveau de l'appareil en mettant bois ou en métal des cales sous partie de l'appareil. L'appareil est en contact avec le mur. Ré-niveau de l'appareil et de le déplacer de la paroi. Voir "Instructions d'installation"</p>
formes d'humidité sur les murs de l'appareil à l'intérieur.	<p>Le temps est chaud et humide, ce qui augmente le taux interne de l'accumulation de givre. C'est normal. La porte est entrouverte. La porte reste ouverte trop longtemps ou est ouverte trop fréquemment. Ouvrez la porte moins souvent. La porte n'est pas scellée correctement.</p>
formes d'humidité sur l'extérieur de l'appareil.	<p>La porte est entrouverte, l'air froid à l'intérieur de l'appareil pour répondre à air chaud et humide de l'extérieur.</p>
La porte ne se ferme pas correctement.	<p>L'appareil ne se trouve pas sur une surface plane. Le joint est sale. Les paniers de rangement sont hors de position.</p>

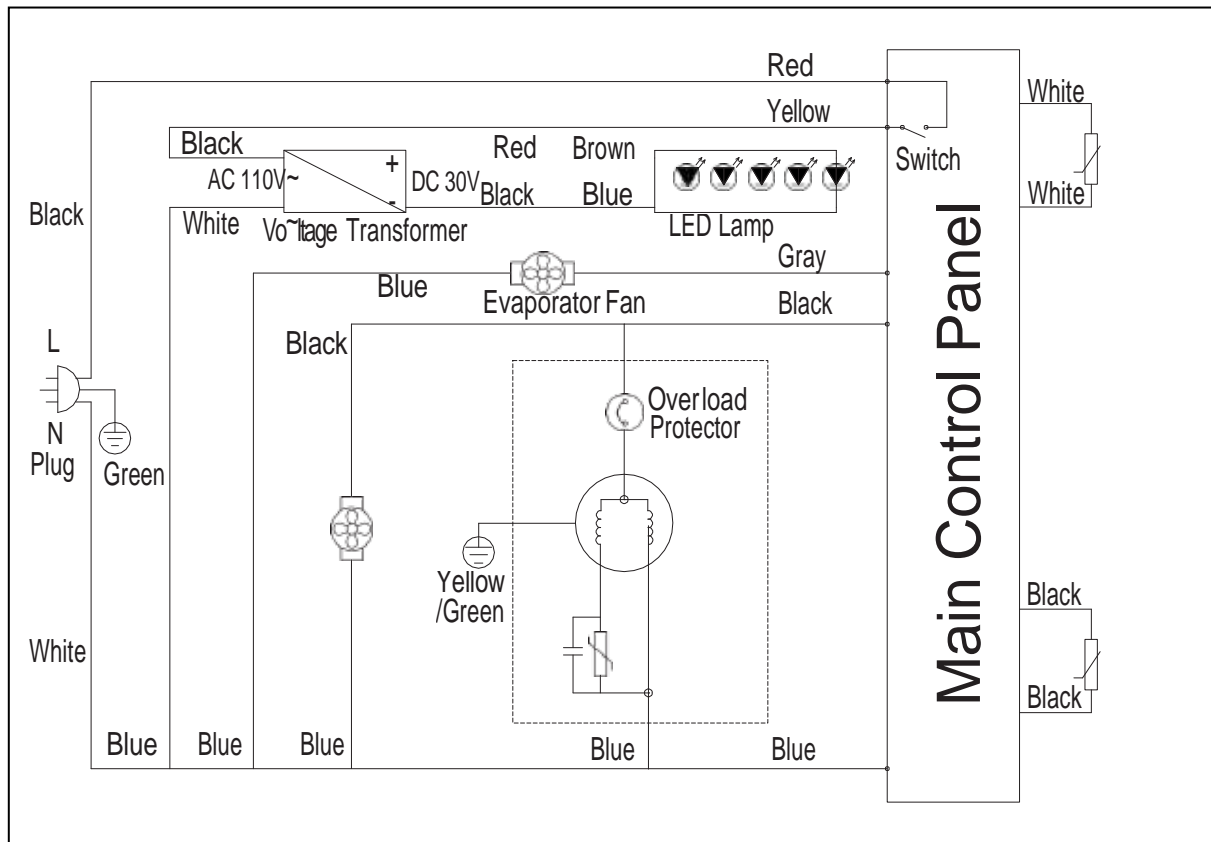
SERVICE POUR VOTRE APPAREIL

Nous sommes fiers de notre organisation de service à la clientèle et le réseau de techniciens de services professionnels qui offrent des services sur vos appareils Avanti. Avec l'achat de votre appareil Avanti, vous pouvez avoir la certitude que si vous avez besoin d'informations ou de l'aide de l'équipe de service à la clientèle Avanti Products sera là pour vous. Appelez-nous sans frais.

AVANTI PRODUITS SERVICES CLIENTS

Information produit 800-323 5029	Quelles que soient vos questions sur nos produits, l'aide est disponible.
Les commandes de la pièce 800-220 5570	Vous pouvez commander des pièces et accessoires qui seront livrés directement à votre domicile. Vous pouvez commander ces articles par chèque personnel, mandat, Master Card ou Visa.
In-Home Repair Service 800-220 5570	Un centre de service Avanti Products autorisé fournira un service de réparation expert, prévue à un moment qui vous convient. Nos réparateurs formés connaissent votre appareil à l'intérieur et à l'extérieur.

SCHÉMA



VOS PRODUITS AVANTI GARANTIE	Staple votre reçu de vente ici. Preuve de la date d'achat originale est nécessaire pour obtenir un service sous garantie.
CE QUI EST COUVERT - GARANTIE LIMITÉE D'UN AN	
<p>Avanti Products garantit que le produit est exempt de défauts de matériaux et / ou de fabrication pour une période de douze (12) mois à compter de la date d'achat par le propriétaire initial. La durée commence à courir à la date d'achat, et ne sera pas retardée, restreinte, prolongée ou suspendu pour quelque raison que ce soit, sauf si décrit en détail dans le document de garantie. Pendant un an à compter de la date d'achat par le propriétaire d'origine, les produits Avanti seront, à sa discrétion, réparer ou remplacer toute partie du produit qui se révèle être un défaut de matériau ou de fabrication dans une utilisation normale. Avanti Products vous fournira un produit raisonnablement semblable nouveau ou remis à neuf. Au cours de cette période Avanti Products fournira toutes les pièces et la main-d'œuvre nécessaires pour corriger ces défauts gratuitement, aussi longtemps que le produit a été installé et utilisé conformément aux instructions écrites dans ce manuel. En usage locatif ou commercial, la période de garantie est de 90 jours. Tous les appareils Avanti de 4,2 pieds cubes la capacité ou moins doivent être traduits / envoyé au centre de service de l'appareil pour la réparation.</p>	
DEUXIÈME LIMITÉE À LA CINQUIÈME ANNÉE GARANTIE	
<p>Pour la deuxième à la cinquième année à partir de la date d'achat originale, Avanti Products fournira un compresseur de remplacement gratuit en raison d'un échec. Vous êtes responsable de la main-d'œuvre et de fret de service. En usage locatif ou commercial, la garantie du compresseur est limitée à un an et neuf mois. Les coûts impliqués pour déplacer le produit au centre de service et de retour à la maison de l'utilisateur, comme peut-être nécessaire, sont à la charge de l'utilisateur.</p>	
EXCLUSIONS DE LA GARANTIE / NON COUVERTS:	
<p>La couverture de la garantie décrite ici exclut tous les défauts ou les dommages qui ne sont pas la faute directe de Avanti Products, y compris, sans limitation, un ou plusieurs des éléments suivants:</p>	
<ul style="list-style-type: none"> • Un non-respect de tout État applicable, local, ville, ou du comté électricité, plomberie et / ou des codes du bâtiment, des règlements ou des lois, y compris le défaut d'installer le produit en stricte conformité avec le feu et les codes du bâtiment et les règlements locaux. • Les forces externes, élémentaires et / ou l'environnement et les facteurs, y compris, sans s'y limiter, la pluie, le vent, le sable, les inondations, les incendies, les coulées de boue, des températures de congélation, l'humidité excessive ou à une exposition prolongée à l'humidité, la foudre, les surtensions, les défaillances structurelles entourant l'appareil, et les actes de Dieu. • Les pertes de contenu de la nourriture ou d'autres contenus en raison de la détérioration. • Les dommages accessoires ou consécutifs • Pièces et coûts de main-d'œuvre pour les éléments suivants ne seront pas considérés comme garantie: <ul style="list-style-type: none"> • portes évaporateurs, ressorts de la porte, et / ou des cadres. • panneaux intérieurs de portes, des étagères de porte, rails de porte, et / ou supports de porte. • Les ampoules et / ou boîtier en plastique. • doublures d'armoires en plastique. • Poncture évaporateur annule la garantie sur le système scellé complet. • Les frais de transport et de manutention associés au remplacement de l'unité. 	<ul style="list-style-type: none"> • Les réparations effectuées par réparateurs non autorisés. • Les appels de service qui sont liés à des problèmes externes, tels que l'abus, l'alimentation électrique inadéquate, les accidents, les incendies, les inondations, ou tout autre acte de Dieu. • Une panne du produit si elle est utilisée pour autre chose que son intention but. • La garantie ne couvre pas en dehors de la Continental USA. • Surtaxes, y compris mais sans s'y limiter, toute après heure, les appels week-end, ou de services de vacances, les péages, les frais de voyage de convoyage ou les frais de kilométrage pour les appels de service dans les régions éloignées.
<p>En aucun cas, Avanti Products toute responsabilité ou responsabilité pour les dommages aux biens environnants, y compris les armoires, les planchers, les plafonds, et d'autres structures et / ou des objets autour du produit. Sont également exclus de cette garantie sont les égratignures, les entailles, les bosses mineures, et d'autres dommages esthétiques sur les surfaces externes et les parties exposées; Produits dont les numéros de série ont été modifiés, effacés ou supprimés; visites de service pour l'éducation à la clientèle, ou des visites où il n'y a rien de mal avec le produit; correction des problèmes d'installation (vous êtes seul responsable de toute structure et réglage pour le produit, y compris tous les systèmes électriques, de plomberie et / ou d'autres installations de raccordement, pour le bon plancher / fondation, et pour toute modification, y compris sans s'y limiter les armoires, les murs, les planchers, les étagères etc., ainsi que la remise à zéro des disjoncteurs ou fusibles.</p>	
HORS DE LA GARANTIE DU PRODUIT	
<p>Avanti Products est soumis à aucune obligation, en droit ou autrement, de vous fournir toutes les concessions, y compris les réparations, les pro-taux, ou le remplacement du produit, une fois la garantie expirée.</p>	

Registration Information

Thank you for purchasing this fine Avanti product. Please fill out this form and return it to the following address within 100 days from the date of purchase and receive these important benefits:

**Avanti Products LLC
P.O.Box 520604 – Miami, Florida 33152**

Ø **Protect your product:**

We will keep the model number and date of purchase of your new Avanti product on file to help you refer to this information in the event of an insurance claim such as fire or theft.

Ø **Promote better products:**

We value your input. Your responses will help us develop products designed to best meet your future needs.

------(detach here)-----

Avanti Registration Card

Name	Model #	Serial #
Address	Date Purchased	Store / Dealer Name
City State Zip	E-mail Address	
Area Code Phone Number	Occupation	
Did You Purchase An Additional Warranty	As your Primary Residence, Do You:	
Extended	Own	Rent
None		
Reason for Choosing This Avanti Product: Please indicate the most important factors That influenced your decision to purchase this product:	Your Age:	
Price	under 18	18-25
Product Features	31-35	26-30
Avanti Reputation	36-50	over 50
Product Quality	<u>Marital Status:</u>	
Salesperson Recommendation	Married	Single
Other: _____	<u>Is This Product Used In The:</u>	
Friend / Relative Recommendation	Home	Business
Warranty	<u>How Did You Learn About This Product:</u>	
Other: _____	Advertising	In-Store Demo
Comments:	Personal Demo	

