

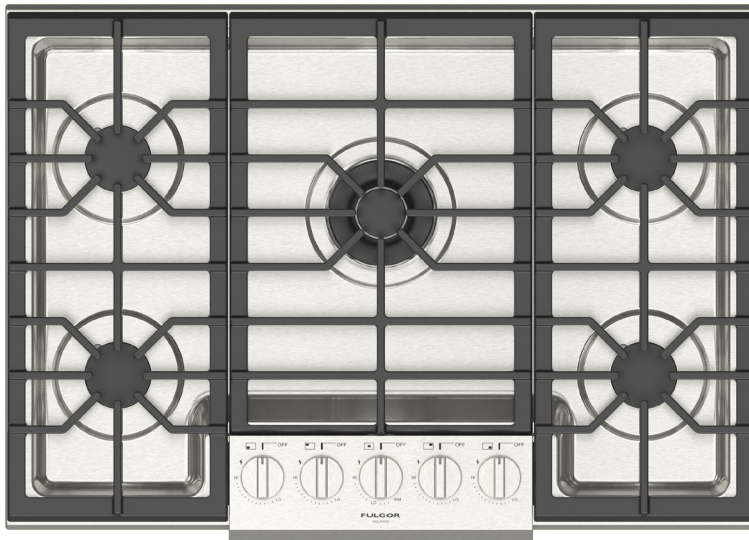
# SOFIA 30" PRO COOKTOP



CODE ID

SOFIA 30" PRO GAS COOKTOP

**F4PGK305S2**



Metal Knob Control



1 Central Dual Crescendo Burner



4 Single Burners



Heavy Duty Grates



Continuous Grate Surface



Heavy Duty Control Panel



## SPECIFICATIONS

- 3 Heavy duty continuous cast iron grates
- Heavy Gauge 304 Stainless Steel Burner Bowl
- 1 Solid Aluminum Dual Flame Burner with 20.000 BTU Max (NG)
- 2 Solid Aluminum Semirapid Burners with 8.000 BTU Max (NG)
- 2 Solid Aluminum Semirapid Burners with 6.300 BTU Max (NG)
- Heavy duty control panel
- Large cooking area
- Full pot stability
- Natural Gas (LP Convertible)

## OPTIONAL ACCESSORIES

FMWOK  
FMSIM

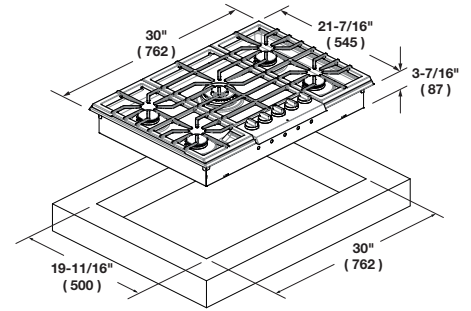
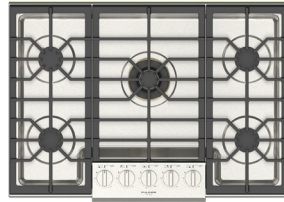
Wok ring  
Simmer plate

### NOTE:

Wok ring (FMWOK) to be used with centre burner only.

# SOFIA 30" PRO COOKTOP

SOFIA 30" PRO GAS COOKTOP



CODE ID		30" PROFESSIONAL PRO GAS COOK TOP F4PGK305S2	
Series	600		
Finish	Stainless Steel		
<b>CONTROL PANEL</b>			
Control Type	Knobs		
<b>COOKTOP</b>			
Type	GAS (NG or LP)		
Cooking Surface	Matte Black Enamel		
<b>GAS COOKTOP FEATURES</b>			
Electric Re-ignition system	•		
Flame-out sensing	•		
Dual Crown Aluminum Burner	•		
Simmer Plate	Optional		
Small Pot Insert (for single burners only)	Optional		
Wok Ring (for dual burner only)	Optional		
Heavy Duty Cast Iron Grates	3		
Cooking Zones	5		
Burners types	All Aluminum		
Power (Max/Min) (Front-L)	6300 (BTU/h) - 1848W / 1300 (BTU/h) - 382W		
Power (Max/Min) (Rear-L)	8000 (BTU/h) - 2345W / 1300 (BTU/h) - 382W		
Power (Max/Min) (Center)	Dual Flame / Simmer Burner		
Power (Max/Min) (Rear-R)	20000 (BTU/h) - 5880W / 750 (BTU/h) - 220W		
Power (Max/Min) (Front-R)	8000 (BTU/h) - 2345W / 1300 (BTU/h) - 382W		
Power (Max/Min) (Front-R)	6300 (BTU/h) - 1848W / 1300 (BTU/h) - 382W		
<b>DIMENSIONS   WEIGHTS</b>			
Overall dim - Width	30"	762 mm	
Overall dim - Height	3-7/16"	87 mm	
Overall dim - Depth	21-7/16"	545 mm	
Cut-out - Width (min - max)	28-1/2", 28-11/16"	724 mm - 729 mm	
Cut-out - Height (min)	3-3/8"	87 mm	
Cut-out - Depth (min - max)	19-9/16", 19-3/4"	497 mm - 502 mm	
Gross weight   Net weight	27.2 kg - 60.0 lb	20.0 kg - 44,0 lb	
<b>POWER / RATINGS (120 V, 60 HZ)</b>			
Amps	0.1A		
Max Power	48600 (BTU/h) - 14266W		
Power Cable   Cable length	Nema 5-15P   53" (1350 mm)		
<b>INSTRUCTIONS FOR USE</b>			
Use & Care Manual / Installation Manual	English / French / Spanish		

Specification sheets are for planning purposes only. Always refer to installation instructions, always consult the countertop fabricator/ supplier prior to determining counter opening. Consult your HVAC engineer for your specific ventilation requirements. Always refer to installation instructions accompanying product or on available on [www.fulgor-milano.com/us/en](http://www.fulgor-milano.com/us/en) for your specific model number. Fulgor Milano retains the right to change product specifications or design without notice.