

MWPS60TM-1

24" Built-In Compact Microwave Oven, 45cm High



Available Finishes/Colors

MWPS60TM-1

Black Glass Finish with Stainless-Steel Trim

KEY FEATURES

Black Glass Finish with Stainless-Steel Trim and Handle

Its sleek black glass and stainless-steel handle coordinates with P&C contemporary products, with elegant design and clean lines offering a stylish modern look for your kitchen.

Microwave Function

Can be used for standard microwave cooking with options that allow 200W to 1,000W heating.

Precise Control

Precise temperature adjustment is made through smooth and balanced dial movement. Brilliant halogen lighting, plus a viewing window improve performance and efficiency.

3 Cooking Functions for Delicious Results

3 Cooking functions including microwave, grill, and microwave + grill provides flexibility to ensure meals are cooked to perfection.

Halogen Interior Lighting

For a brighter interior, eliminating the need to open the door to check the progress so that you can maintain a consistent temperature.

1.34 Cu. Ft. Capacity

With its family-sized capacity and equipped turntable, this oven has the room for any meal.

Accessories Included

Circular glass turntable, Support ring & Turntable plate, High & Low grill rack.

*Optional 2-Piece Trim Kit (Model: TK455).



Microwave



Rotary Knobs



Grill



Soft Close Door

GENERAL PROPERTIES

Compact microwave oven, 45cm High

Black Glass with Stainless Steel Trim

38L - 1.3 cu. ft. Capacity

Stainless-steel inner cavity

1,000 Watt Microwave

FEATURES

3 Cooking functions including Microwave + Grill

Touch control display with rotary knobs

Fully automatic digital clock/timer

Cooking duration and end time cooking control

Double glazed removable door

Bright interior lighting

Drop down grill for easy clean

Child safety lock

OVEN FUNCTIONS

Microwave, Grill, Microwave + Grill

OVEN PERFORMANCE

Microwave Power: 1,000 Watts

Grill Power: 1,500 Watts

Microwave + Grill Power: 150 Watts - 1,000 Watts

TECHNICAL DETAILS

Product Dimensions (W/H/D)

23^{7/16"} / 17^{15/16"} / 20^{7/16"}

595mm / 455mm / 519mm

Cabinet Dimensions (W/H/D)

22^{3/8"} / min. 17^{5/8"} / 21^{5/8"}

568mm / min. 447mm / 549mm

ELECTRICAL REQUIREMENTS

208/240 V / 60 Hz / 20 Amp

*Supplied with a 5ft long electrical cable and must be hardwired.

WEIGHT

78 lbs. / 35 kg

PRODUCT DIMENSIONS (INCH/MM)

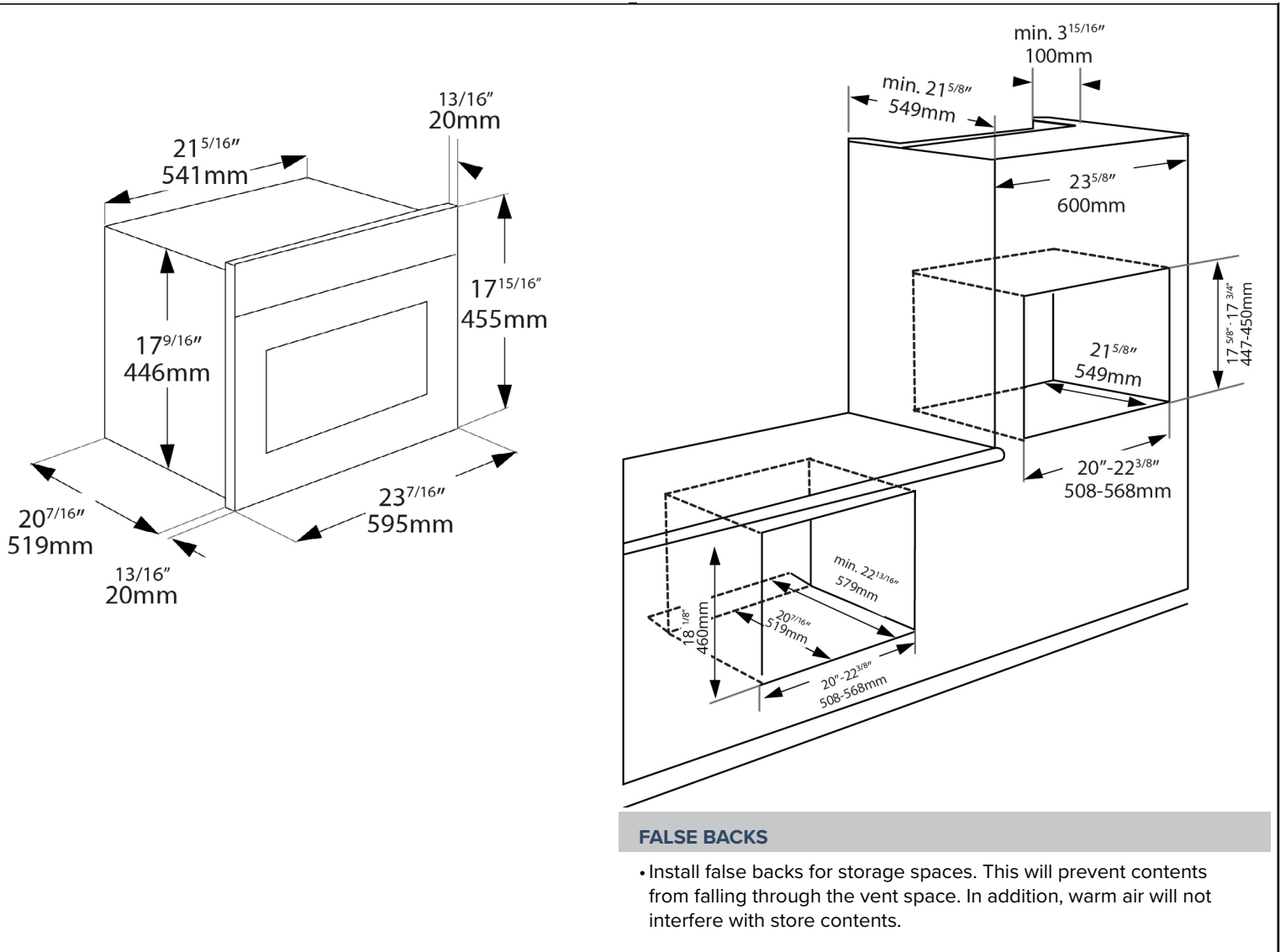
Width: 23⁷/₁₆" / Height: 17¹⁵/₁₆" / Depth: 20⁷/₁₆"

Width: 595mm / Height: 455mm / Depth: 519mm

CUT-OUT DIMENSIONS (INCH/MM)

Width: 22³/₈" / Height: min. 17⁵/₈" / Depth: 21⁵/₈"

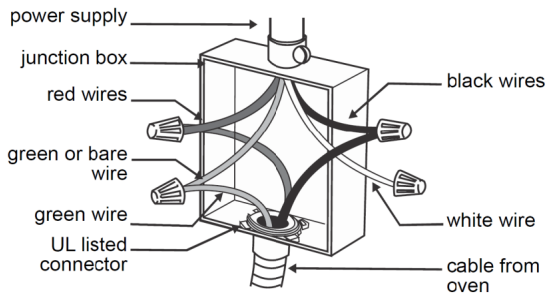
Width: 568mm / Height: min. 447mm / Depth: 549mm



FALSE BACKS

- Install false backs for storage spaces. This will prevent contents from falling through the vent space. In addition, warm air will not interfere with store contents.

Ungrounded Neutral



4-Wire Branch Circuit

- Disconnect ground from neutral at free end of conduit.
- Connect the green ground wire from the oven to the ground wire in the junction box (bare or green coloured wire).
- Connect the red and black leads from the oven to the corresponding leads in the junction box.



WARRANTY INFORMATION

Porter & Charles Appliances are designed and manufactured to the highest standards. Each appliance is covered by a comprehensive 2-year parts and labour warranty. Refer to product warranty policy for complete terms and conditions.

FOR PARTS & SERVICE

Euro-Parts & Service
39822 Belgrave Road, Belgrave, ON. N0G 1E0 1 866 722 2262
www.euro-parts.ca • parts@euro-parts.ca • service@euro-parts.ca

Porter & Charles appliances are imported and distributed in North America by Euro-Line Appliances Inc. For more information, please visit one of our showrooms or www.ela.ca / www.elawest.ca

EURO-LINE APPLIANCES INC.

871 Cranberry Court, Oakville, ON
L6L 6J7 Canada
905.829.3980
1-800.421.6332
info@ela.ca

EURO-LINE APPLIANCES INC.

101-1014 Homer Street, Vancouver, BC
V6B 2W9, Canada
604.235.3980
1-855.ELA.WEST (352.9378)
info@elawest.ca