

STPS60TM-1

24" Built-In Compact Steam Oven, 45cm High



Available Finishes/Colors

STPS60TM-1

Black Glass Finish with Stainless-Steel Trim

KEY FEATURES

Black Glass Finish with Stainless-Steel Trim and Handle

Its sleek black glass and stainless-steel handle coordinates with P&C contemporary products, with elegant design and clean lines offering a stylish modern look for your kitchen.

Steam & Convection Cooking

Combining the precision of convection with the health benefits of steam. Cook evenly without sacrificing flavour, cook faster without sacrificing moisture, cook confidently with steam.

Precise Control

Precise temperature adjustment is made through smooth and balanced dial movement. Brilliant halogen lighting, plus a viewing window improve performance and efficiency.

5 Cooking Functions for Delicious Results

5 Cooking functions including Steam, Convection, Broil, and Broil + Fan provides flexibility to ensure meals are cooked to perfection.

Broil

It provides complete coverage and even browning, even for large dishes.

Steam Assisted Clean

Assures a clean oven interior using the cleansing power of steam.

Accessories Included

1 x Water Drawer, 1 x Baking Tray/Perforated Tray, and 1 x Wire Rack.
*Optional 2-Piece Trim Kit (Model: TK455).



Convection



Rotary Knobs



Steam Cooking



Soft Close Door

GENERAL PROPERTIES

Compact steam oven, 45cm High

Black Glass with Stainless Steel Trim

38L - 1.3 cu. ft. Capacity

3 Rack positions

Bright interior lighting

FEATURES

5 Cooking functions including Steam and Convection

Touch control display with rotary knobs

Fully automatic digital clock/timer

Cooking duration and end time cooking control

Double glazed removable door

Bright interior lighting

Drop down grill for easy clean

Child safety lock

OVEN FUNCTIONS

Steam Cooking, Broil, Convection Cooking, Broiler + Fan, Water Hardness/De-scaling.

OVEN PERFORMANCE

Steam Power: 1,500 Watts

Broiler Power: 1,200 Watts

Convection Power: 1,600 Watts

TECHNICAL DETAILS

Product Dimensions (W/H/D)

23^{7/16"} / 17^{15/16"} / 20^{1/2"}

595mm / 455mm / 520mm

Cabinet Dimensions (W/H/D)

22^{1/16"} / 17^{3/4"} / 21^{5/8"}

560mm / 450mm / 550mm

ELECTRICAL REQUIREMENTS

208/240 V / 60 Hz / 20 Amp

*Supplied with a 5ft long electrical cable and must be hardwired.

WEIGHT

78 lbs. / 35 kg

PRODUCT DIMENSIONS (INCH/MM)

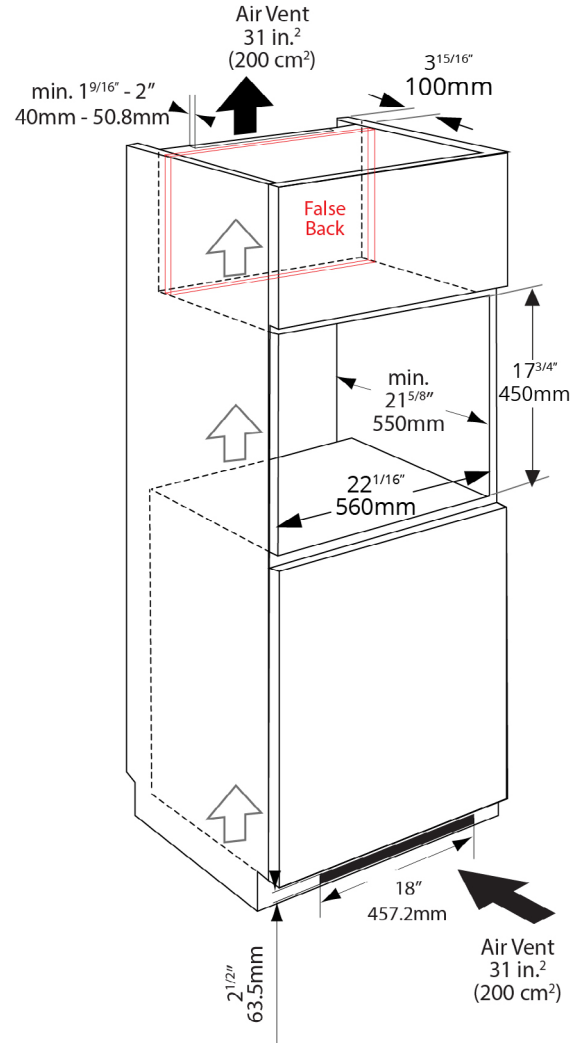
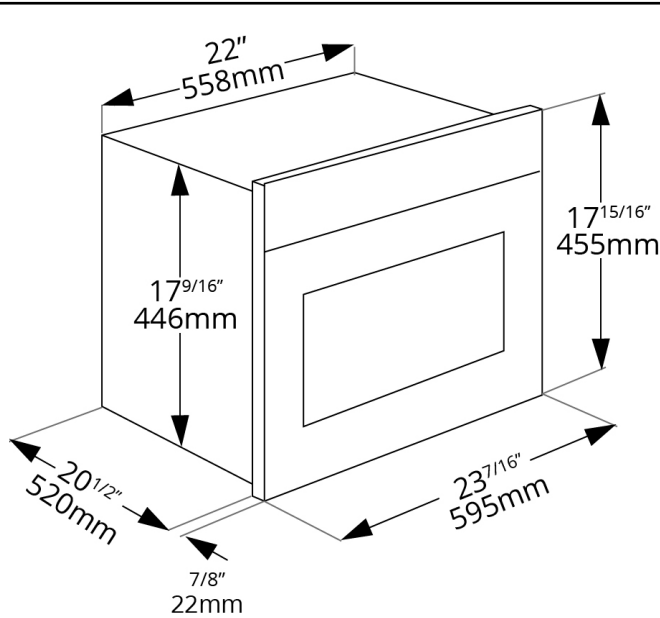
Width: 23⁷/₁₆" / Height: 17¹⁵/₁₆" / Depth: 20¹/₂"

Width: 595mm / Height: 455mm / Depth: 520mm

CUT-OUT DIMENSIONS (INCH/MM)

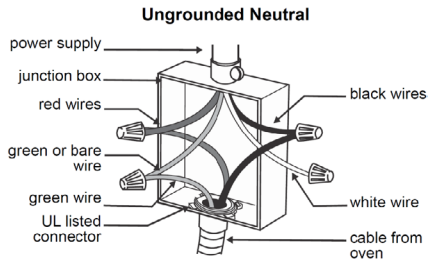
Width: 22¹¹/₁₆" / Height: 17³/₄" / Depth: 21⁵/₈"

Width: 560mm / Height: 450mm / Depth: 550mm

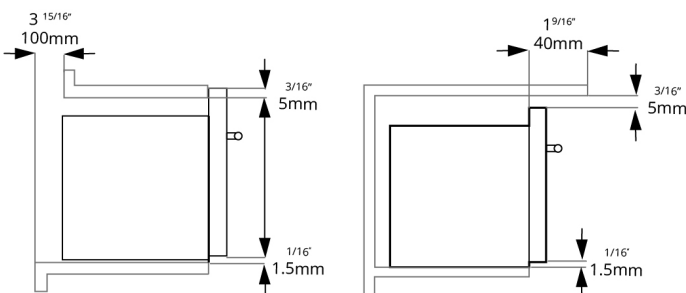


4-Wire Brand Circuit

- Disconnect ground from neutral at free end of conduit.
- Connect the green ground wire from the oven to the ground wire in the junction box (bare or green coloured wire).
- Connect the red and black leads from the oven to the corresponding leads in the junction box.



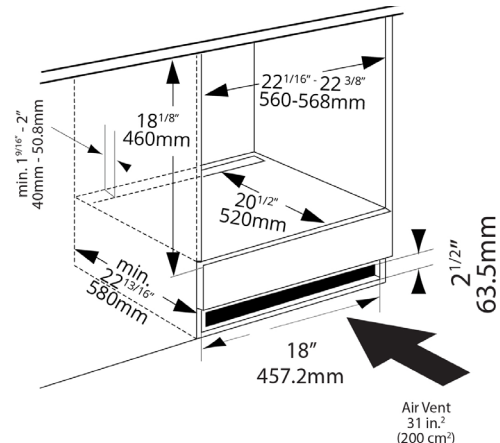
Side View



FALSE BACKS

- Install false backs for storage spaces. This will prevent contents from falling through the vent space. In addition, warm air will not interfere with store contents.

Recommended Under counter Installation Dimensions





WARRANTY INFORMATION

Porter & Charles Appliances are designed and manufactured to the highest standards. Each appliance is covered by a comprehensive 2-year parts and labour warranty. Refer to product warranty policy for complete terms and conditions.

FOR PARTS & SERVICE

Euro-Parts & Service
39822 Belgrave Road, Belgrave, ON. N0G 1E0 1 866 722 2262
www.euro-parts.ca • parts@euro-parts.ca • service@euro-parts.ca

Porter & Charles appliances are imported and distributed in North America by Euro-Line Appliances Inc. For more information, please visit one of our showrooms or www.ela.ca / www.elawest.ca

EURO-LINE APPLIANCES INC.

871 Cranberry Court, Oakville, ON
L6L 6J7 Canada
905.829.3980
1-800.421.6332
info@ela.ca

EURO-LINE APPLIANCES INC.

101-1014 Homer Street, Vancouver, BC
V6B 2W9, Canada
604.235.3980
1-855.ELA.WEST (352.9378)
info@elawest.ca