

**24 INCH INDUCTION RANGE****BIRU24102CSS****Large Oven Capacity**

Blomberg knows you can never have too much room in your oven, even if there's not a lot of room in your kitchen. That's why we engineered a generous 2.51 cu. ft. oven capacity into our 24-inch range.

**Large Cooking Zone**

Blomberg ranges offer more than a beautiful appearance and the benefit of effortless cleanup. They feature the versatile advantage of allowing you to create a large, 10" cooking zone for fast, efficient cooking in oversize pots and pans of any shape.

**Cool Touch Oven Door**

Blomberg ranges feature cool-touch glass on the oven door to prevent accidental burns and safely protect those small, curious fingers tempted to point out the cookie they want first!

**GENERAL**

Type	Freestanding
Size	24"
Color	Stainless Steel
Control Type	Knob Control
Display	LED Display - Touch Control
Burner Color	Black Glass
Knob Color	Stainless Steel

FUNCTIONS

Cooking Functions 8	8
3D Cooking	Yes
Defrost	Yes

SPECIAL FEATURES

Adjustable Feet	Yes
Lower Storage Drawer	Yes

COOKTOP

Burner Configuration	3 Induction Zones
Residual Heat Indicators	Yes
Display Lock	Yes
Front Left	Ø210mm - 2300/3700W
Rear Left	Ø145mm - 1400/2200W
Front Right	Ø260mm - 2600/3700W

OVEN FEATURES

Oven Glass Window	Full Glass
Door Cooling System	Cool Door - 3 Pane Heat Resistant Glass (Fixed)
Oven Type	Electric
Oven Control Type	Knob control with multi functions
Oven Enamel Color	Grey
Oven Light	1 x Round Halogen light (Rear)
Rack Positions	5 levels
Preheat Indicator Light and Signal	Yes
Cooling Fan	Yes
Fan Heating	True European Convection

ACCESSORIES

Chromed Wire Racks	2
Island Trim	Included

Canadian Model: 4-prong NEMA power supply cord

POWER RATINGS

KW	220 - 240 V, 60 Hz
KW/Amps rating	20A or Fuse Production Min. 40A

DIMENSIONS/WEIGHT

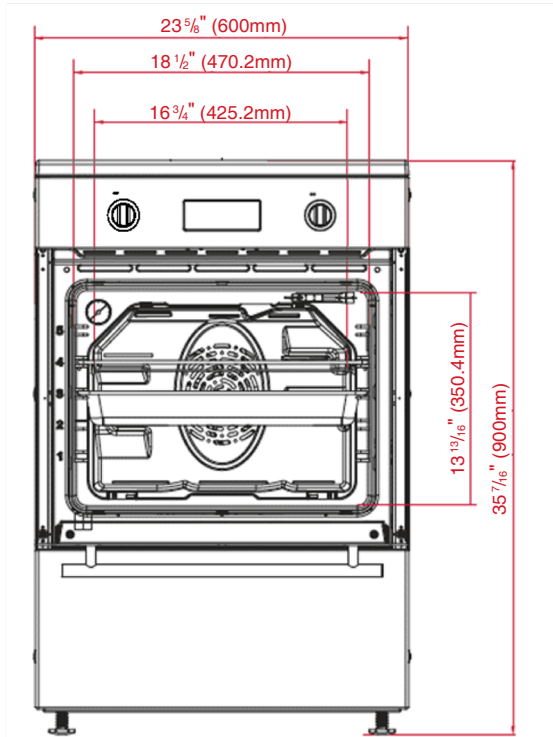
Required Cutout Dimensions - (H x W x D) Inches	36" x 24" x 24 1/4"
Product Dimensions - (H x W x D) Inches	35 7/16" x 23 5/8" x 23 13/16"
Product Dimensions - (H x W x D) cm	90 x 60 x 60.4 cm
Product Weight - lbs	170 lbs
Product Weight - kg	77.120 kg



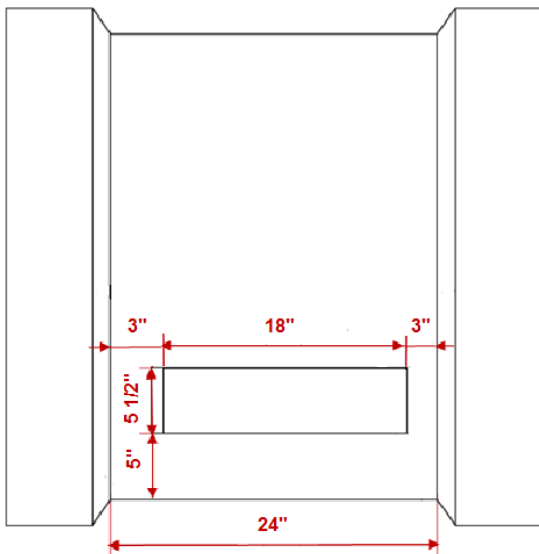
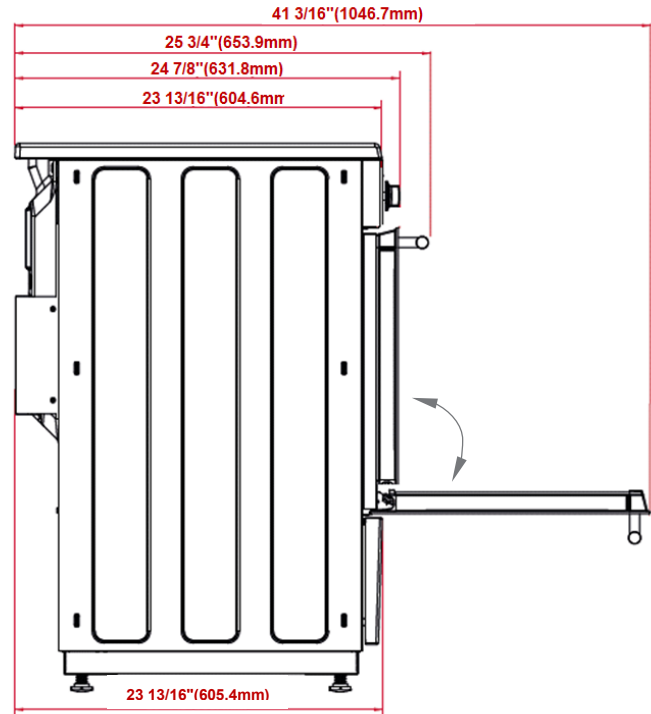
24 INCH INDUCTION RANGE

BIRU24102CSS

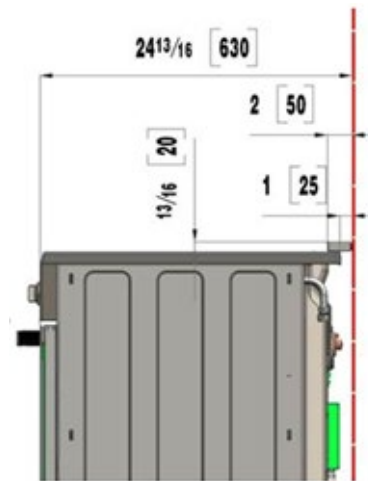
Dimensions and Installation



Cabinet



Required minimum air gap clearances: 1/4" sides



Island trim: standard comes with the range un-attached.
4" High Stainless Splash Back (optional)

NOTE TO THE INSTALLER: All height, width and depth dimensions are shown in inches (as well as metric). Beko US Inc. reserves the absolute and unrestricted right to change product materials and specifications, at any time, without notice. Please visit our website www.blombergappliances.com or call 888-352-2356 to verify the latest specifications with final dimensional data and other details prior to installation and making a cutout. Applicable product limited warranty information may be found in accompanying product materials or you may contact your account manager for further details. Proper installation is the responsibility of the installer. Product failure due to improper installation is not covered under the Limited Warranty.