

BUILT-IN WINE CELLAR 24"

24" STAINLESS STEEL EXTERIOR BUILT-IN WINE CELLAR

CODE ID

F7SWC24S1-R (RIGHT HINGE)

CODE ID

F7SWC24S1-L (LEFT HINGE)



RIGHT HINGE



LEFT HINGE



80 Bottles Capacity



Integrated Installation



LED lighting



Integrated Installation



Holiday Mode

Features

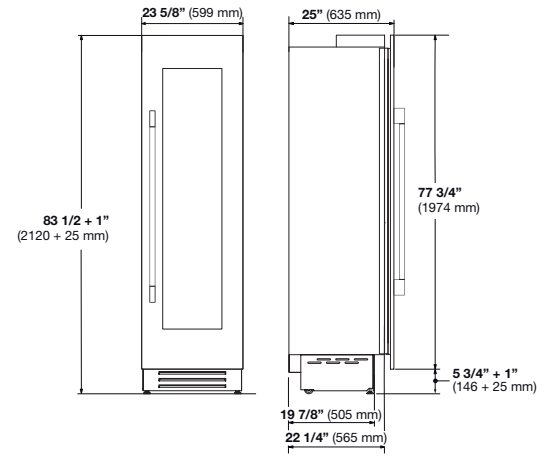
Both beautiful and functional, our stainless wine columns feature an elegant 304 stainless clad door a matching pro handle to match our Fulgor Milano cooking appliances and a brilliant white aluminum interior. Wine preservation is critical to us and like our other premium refrigeration we combine the latest technology to ensure the highest performance. A dedicated compressor and dual evaporators provide independently controlled cooling zones with consistent and precise temperatures throughout. A solid triple layer of UV protected glass on the Wine Cellar protects contents from harmful UV light, external temperatures and humidity changes which can be damaging to your wine.

SPECIFICATIONS

Stainless Steel Exterior
Two temperature zones
12 Natural wood shelves for 80 bottle total storage capacity
Luminous white interior
Multilevel LED lighting
Professional handle kit included

REFRIGERATION

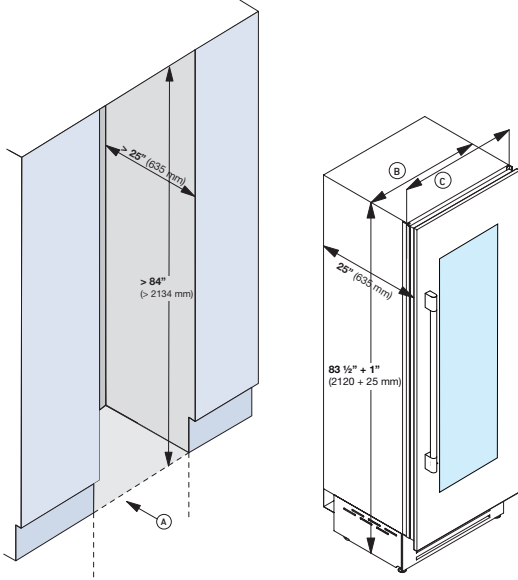
BUILT-IN WINE CELLAR



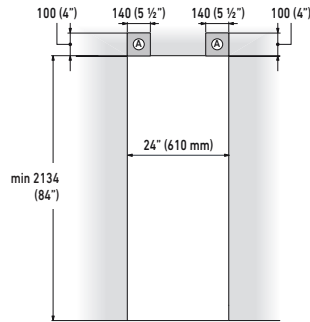
CODE ID		24" BUILT-IN WINE CELLAR F7SWC24S1-L (LEFT HINGE) F7SWC24S1-R (RIGHT HINGE)	
Finish	Stainless Steel Exterior with glass		
PERFORMANCES/CAPACITY			
Annual Energy Usage	475 kWh/yr		
Interior capacity	80 bottles		
FEATURES			
Professional handle kit included			
Shelves	12 wooden racks		
Cooling system	2 temperature zones		
LED lighting	•		
Humidity control	•		
DIMENSIONS/WEIGHT			
Width in	24"	609	mm
Height in	$83 - 1/2"$	2120	mm
Depth without handle in	25"	635	mm
Minimum niche height in	$84 - 1/2"$	2145	mm
Door clearance in	46"	1170	mm
Door opening angle	100°		
Net Weight	335 lbs	152	kg
POWER / RATINGS (115 V, 60 HZ)			
Watts / Amps	152W - 1.5A		
Power Cable	Nema 5-15P		
INSTRUCTIONS FOR USE			
Use & Care Manual / Installation Manual	English / French / Spanish		

WINE CELLAR 24"

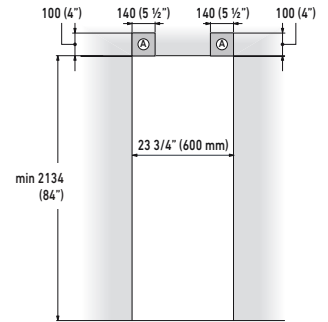
NICHE SPECIFICATIONS AND DIMENSIONS



NA STANDARD CUTOUT



EUROPEAN STANDARD CUTOUT



When installing our top compressor models in a standard NA cut out it is recommended to use the J-profile trim kit to close the lateral gap of the appliance, alternatively use the standard plastic mounting clips when installing unit into Euro width cabinet. Installing in the unit in a standard North American "cutout" without the J-profile trim kit, will result in a larger gap along the cabinet opening.

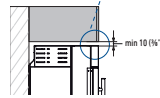
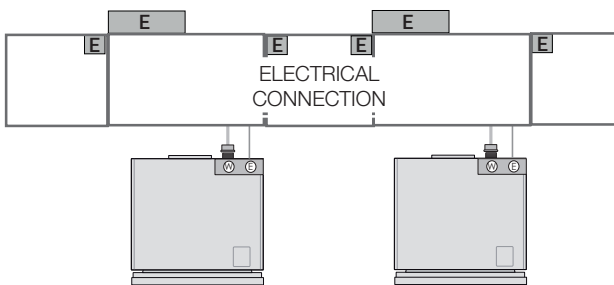


When installing our top compressor models in a new construction, it is recommended to use the European "cutout" dimensions to achieve a minimal gap on the lateral sides and avoid the need to use the J-profile trim kit. Installing in the unit in a standard North American "cutout" without the J-profile trim kit, will result in a larger gap along the cabinet opening.

TECHNICAL DATA

(A) Niche Width	see on the right
(B) Unit Width	23" 1/8 (587 mm)
(C) Unit Width with lateral frames	24" (609 mm)

ELECTRICAL AND WATER CONNECTIONS



If the units are to be installed inside a cutout or within an enclosed structure, it is necessary to design a ventilation shaft at the back of the cutout to assure proper ventilation at the back of the unit. Cross-sectional chimney ventilation area should equal 200cm² (31in²).