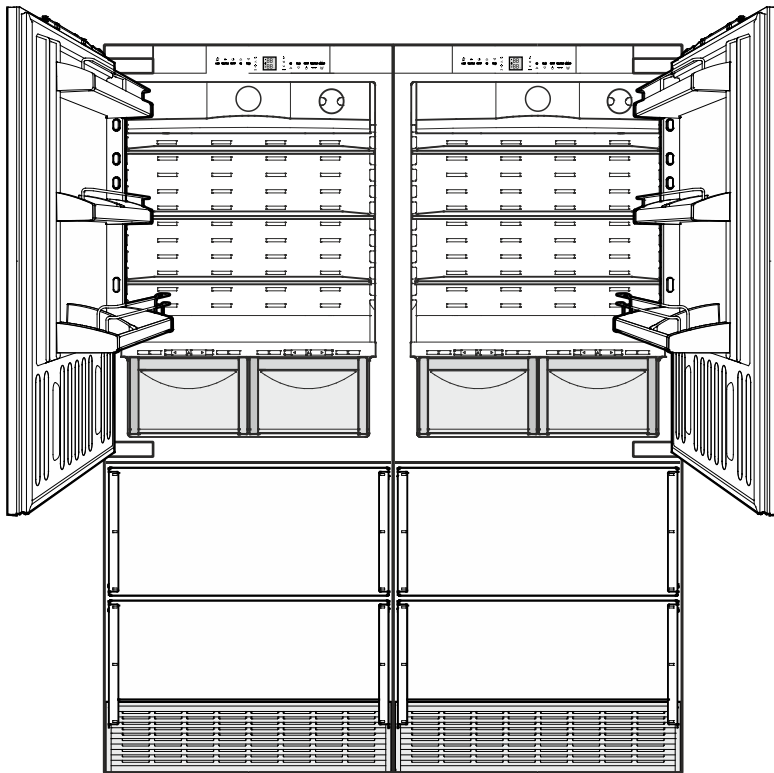


LIEBHERR

Side by Side Installation



HCB 1561 together with **HCB 1560**

HC 1551 together with **HC 1550**

HC 1541 together with **HC 1540**

7083 393-00

Parts list of SBS Installation Kit

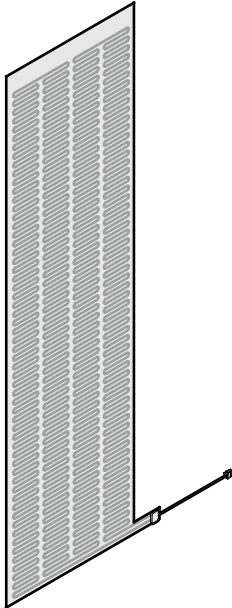
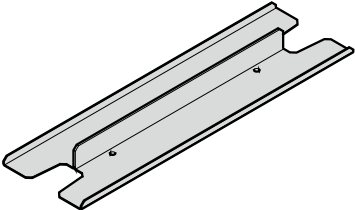
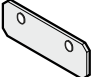
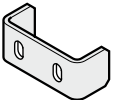
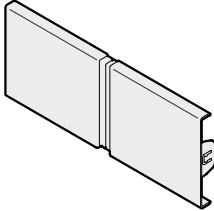
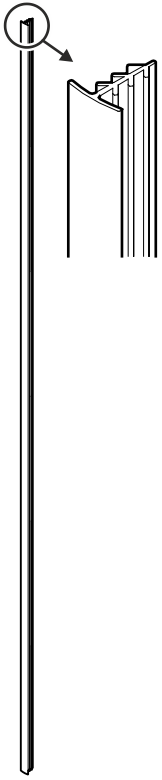
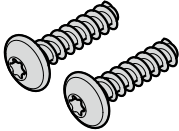
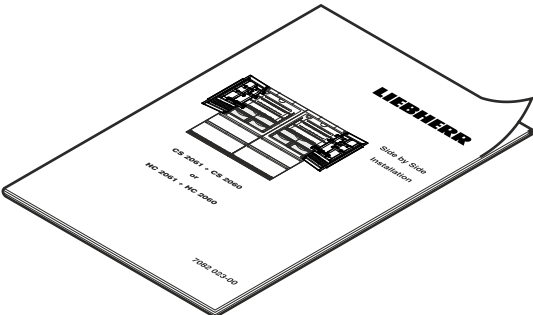
Image	Article number	Name of the item
 A long, narrow, rectangular heating blanket with a grid of small heating elements. A small electrical plug is attached to the bottom right corner.	6943 651-00	Heating blanket
 A long, narrow, L-shaped metal guide plate with two small holes near the top edge.	9005 441-00	Guide plate
 A small, rectangular metal plate with two small holes.	9693 583-00	Top connecting plate
 A small, L-shaped metal angle bracket with two small holes.	9693 585-00	Bottom angle bracket
 A long, narrow, rectangular metal top cover with a small notch on the right side.	9190 171-00	Top cover

Image	Article number	Name of the item
	7641 503-00	Sealing strip
	4098 066-01	Pan head screws 6 x 25
	7083 393-00	Installation manual

Other parts used in this installation manual are supplied with the appliance, not with the SBS Kit.

Side by Side (SBS) Installation

⚠ WARNING!

Risk of fire or damage.

The accessory is intended for use only with a refrigerator that is marked to indicate such use.

This kit may only be installed with models HCB 1561, HC 1551, HC 1541

⚠ CAUTION!

The Side by Side installation should only be done by a trained expert. We recommend this procedure be done by two people.

IMPORTANT

The water supply lines for both appliances must be located already in their correct positions as shown in chapter „Cabinet opening dimensions“ in the installation instructions or design guide.

1. Mount the anti tipping brackets for both appliances.

Refer to chapter

Mounting the anti tipping device

in the installation instructions.

2. Remove the protective foil of the double-sided adhesive strips on the bottom of the guide plate. The guide plate is supplied with the SBS kit.

IMPORTANT

Make sure, that the floor is clean (dust and grease free), for the adhesive tape.

3. Adhere the guide plate on the floor. The rear edge of the plate must have contact with the anti tipping brackets. Mark a center line on the floor as illustrated and align the center of the guide plate with this line.

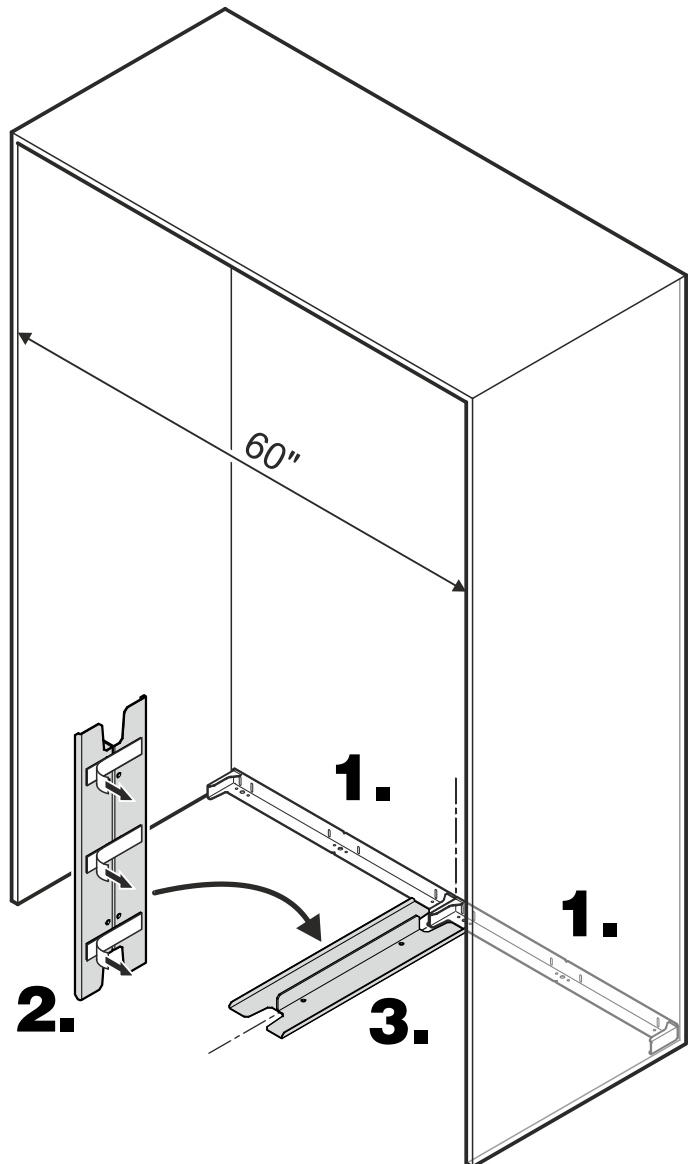
NOTE

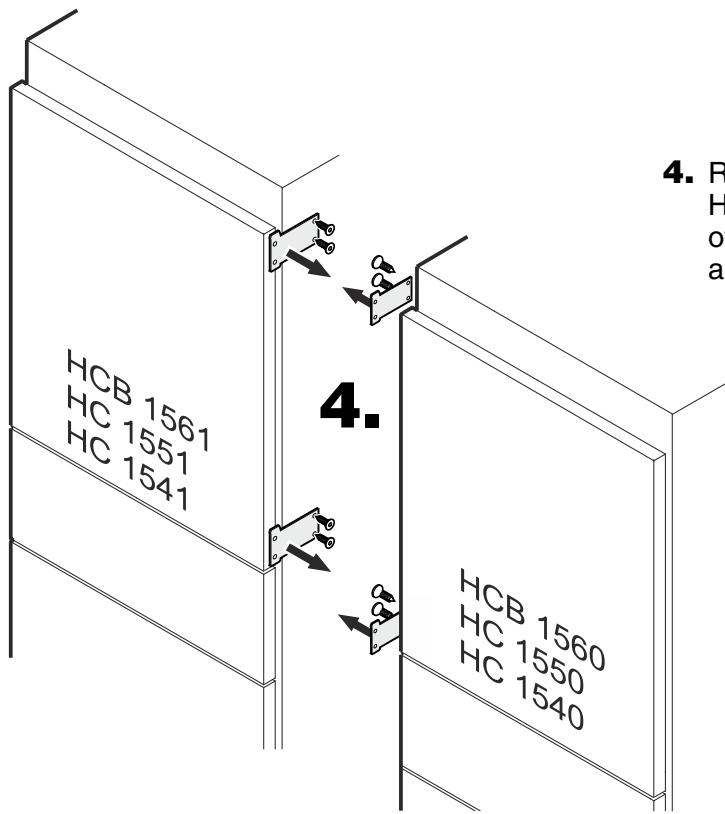
The guide plate may also be fastened with screws through any hole wherever. The screws are not provided with the appliance or the kit.

⚠ WARNING!

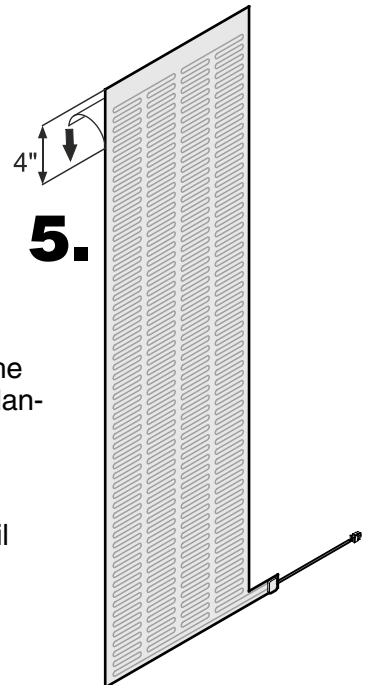
Electrocution hazard.

The refrigerator must be disconnected from the source of electrical supply before attempting the installation.





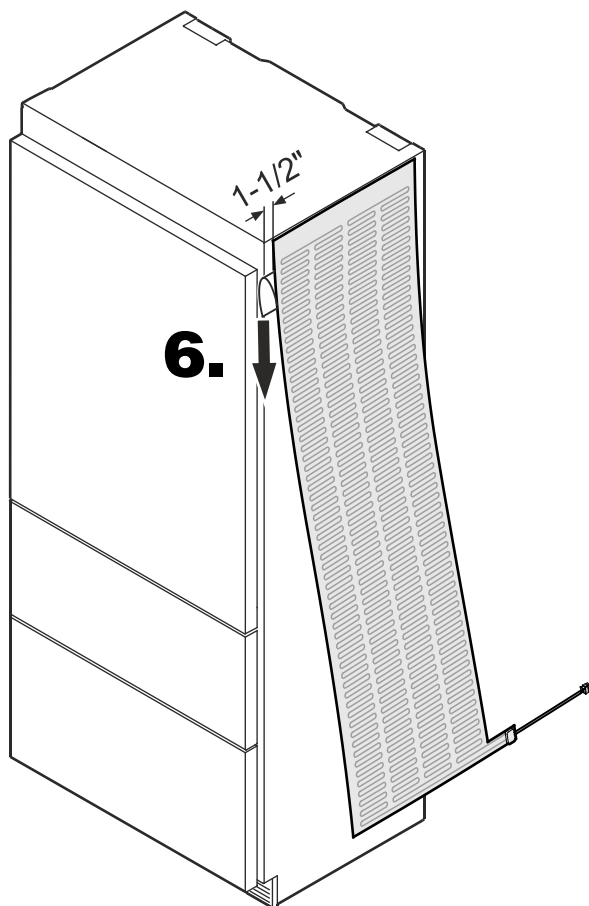
- 4.** Remove the supports on the right of the HCB 1561, HC 1551 or HC 1541 and on the left of the HCB 1560, HC 1550 or HC 1540 appliance.



- 5.** Loosen the protective foil of the heating blanket top. Pull down the foil for approx. 4". The heating blanket is supplied with the SBS kit.

Important

Do not remove the protective foil completely.



- 6.** Adhere the heating blanket on the top of the left unit.
 Upper edge of blanket flush with the appliance top.
 Front edge of blanket 1-1/2" from the appliance housing backwards.
 Remove the protective foil a bit at a time as you go and flatten the heating foil top down.

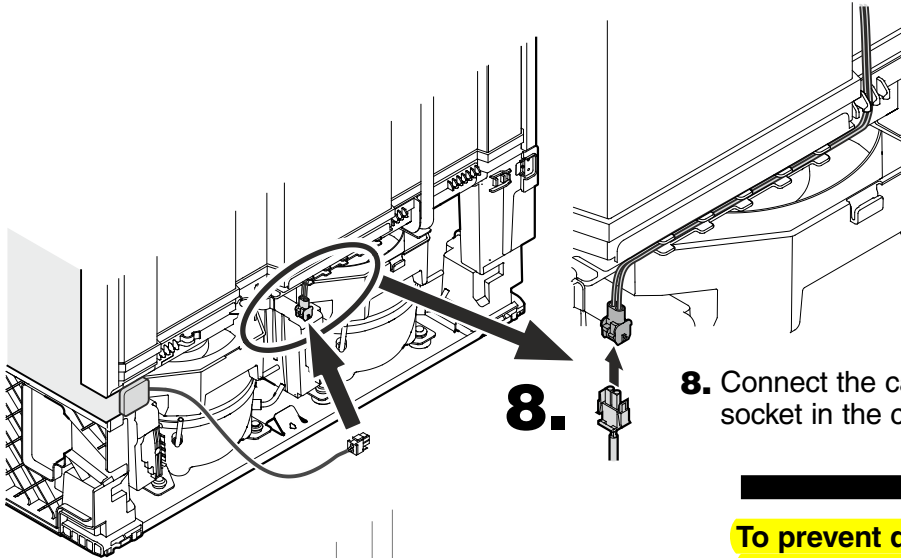
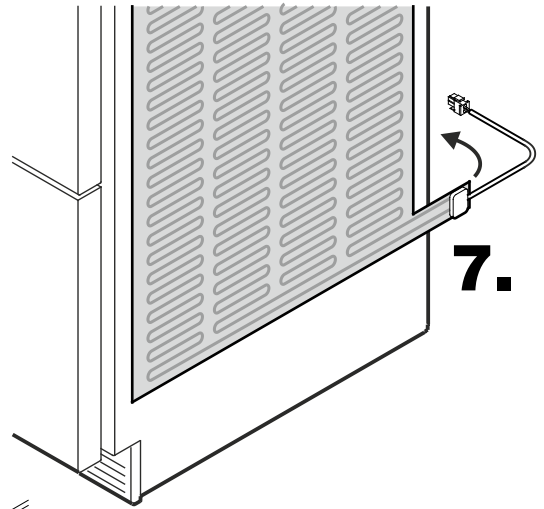
IMPORTANT

There should be no air pockets between heating foil and appliance wall.

- 7.** Bend the lower tongue of the heating blanket around the corner and adhere to the back of the appliance.

note

Heating blanket only has 17 W, so no heat can be felt after installation.



- 8.** Connect the cable of the heating blanket with the socket in the compressor compartment.



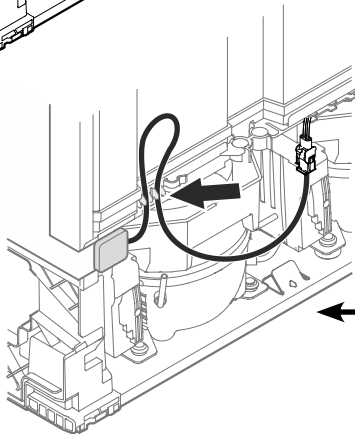
CAUTION!

To prevent damage to the heater cable, make sure that it is not laying on the floor. Lay the cable inside the compressor compartment.

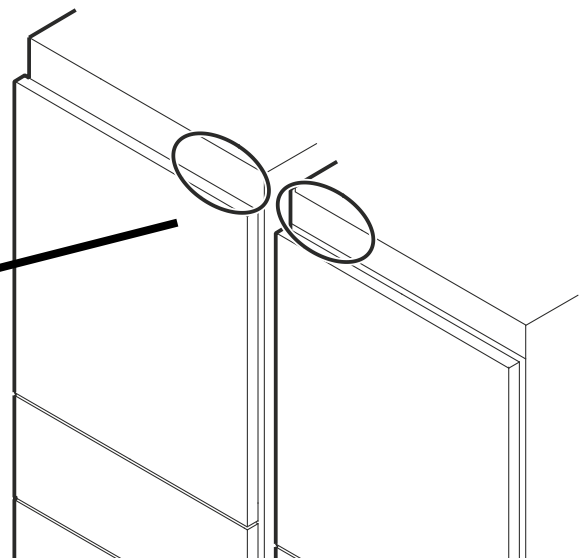
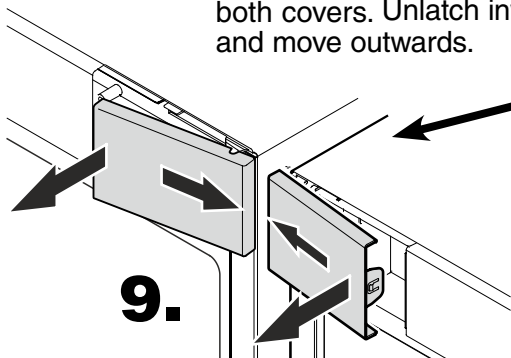
Do not lay the cable inside the evaporation tray of the compressor!

Important

After the cable of the heating blanket is connected, insert the cable into the cable holders above the compressor compartment.

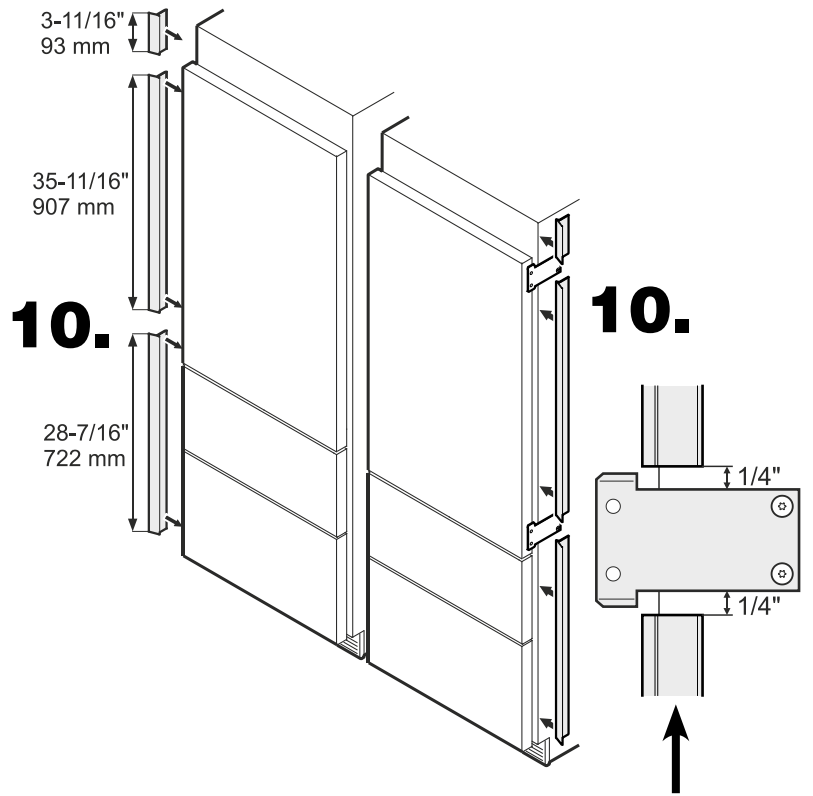


- 9.** Open the doors and remove both covers. Unlatch inwards and move outwards.



- 10.** Apply cover strips above, between and below the securing plates on the left side wall of the HCB 1561 (HC1541) appliance and on the right side wall of the HCB 1560 (HC 1540).

Cut the cover strips to the length as shown in Step 11 using a pair of heavy duty scissors or a utility knife.



Adhere the cover strips leaving a gap of 1/4" to each securing plate to prevent interference when installing the covers.

- 11.** Move the left appliance (HCB1561 / HC 1541) in front of the recess.

Move the power supply line to the area of the electrical outlet.

⚠ WARNING! ⚠

Do not connect to the electrical outlet before the installation is completed and the water line is connected to the solenoid valve.

Insert the water supply line for the ice maker into its intended opening on the appliance rear.

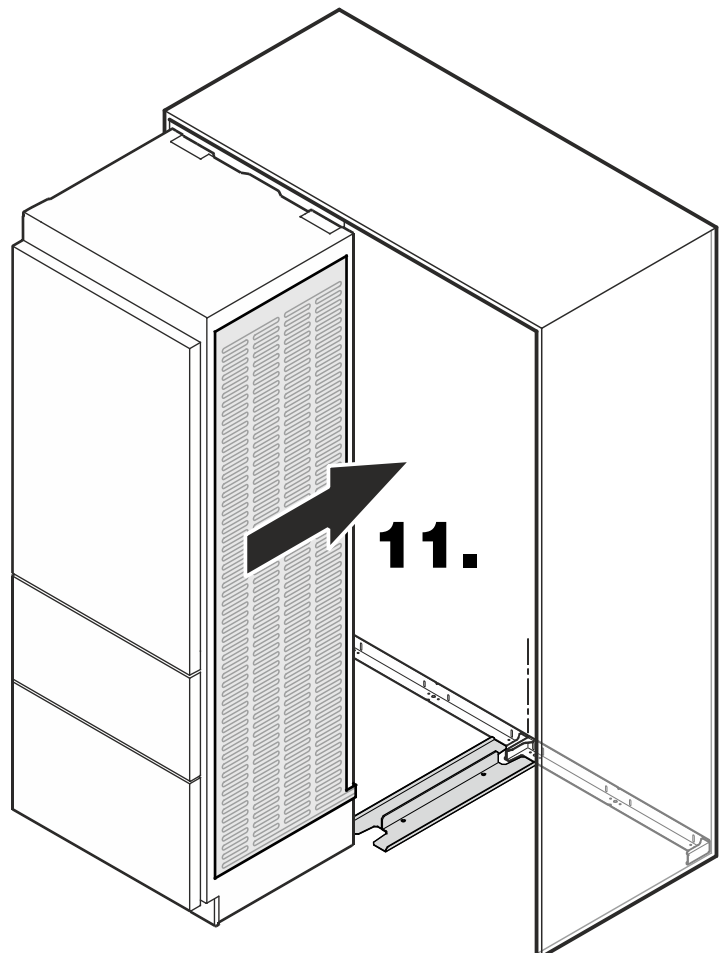
Refer to chapter

Connection to the water supply in the installation instructions.

Slide the appliance into the recess or against the back wall with freestanding applications.

Be sure the appliance castors runs in the intended rail of the guide plate.

Install the right appliance (HCB 1560 / HC 1540) in the same way.

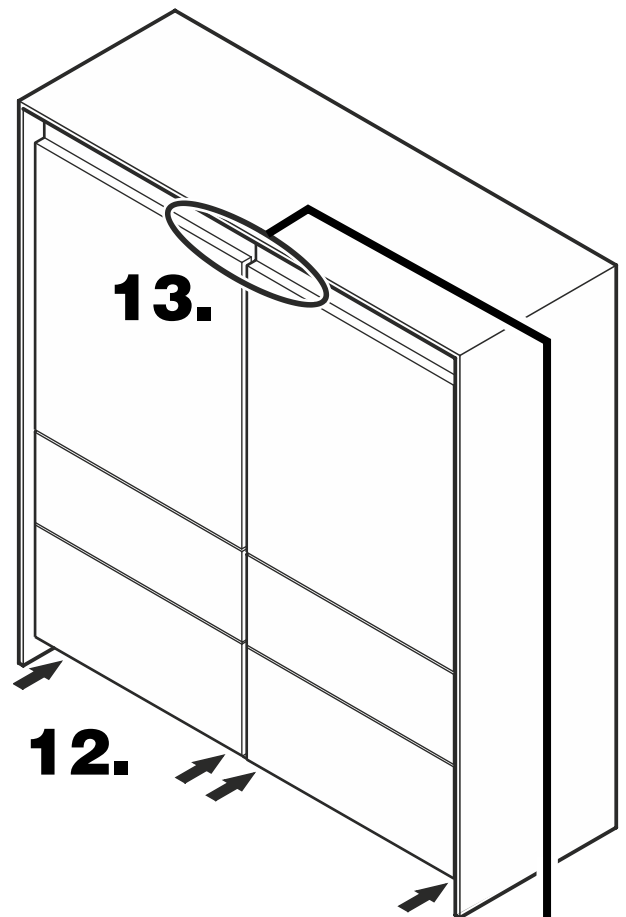


12. Align both appliances.

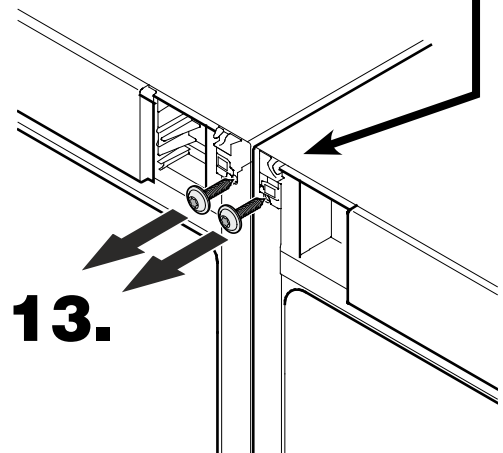
Refer to chapter **Leveling the appliance** in the installation instructions.

IMPORTANT

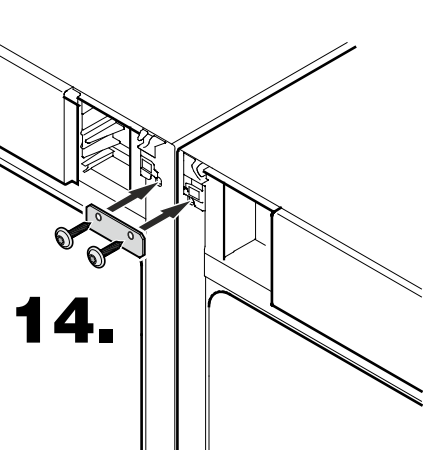
The appliances must be in line at the front and in height and must be aligned vertical.



13. Open the doors and remove the screws as shown in Step 13. These screws are needed in the next step.

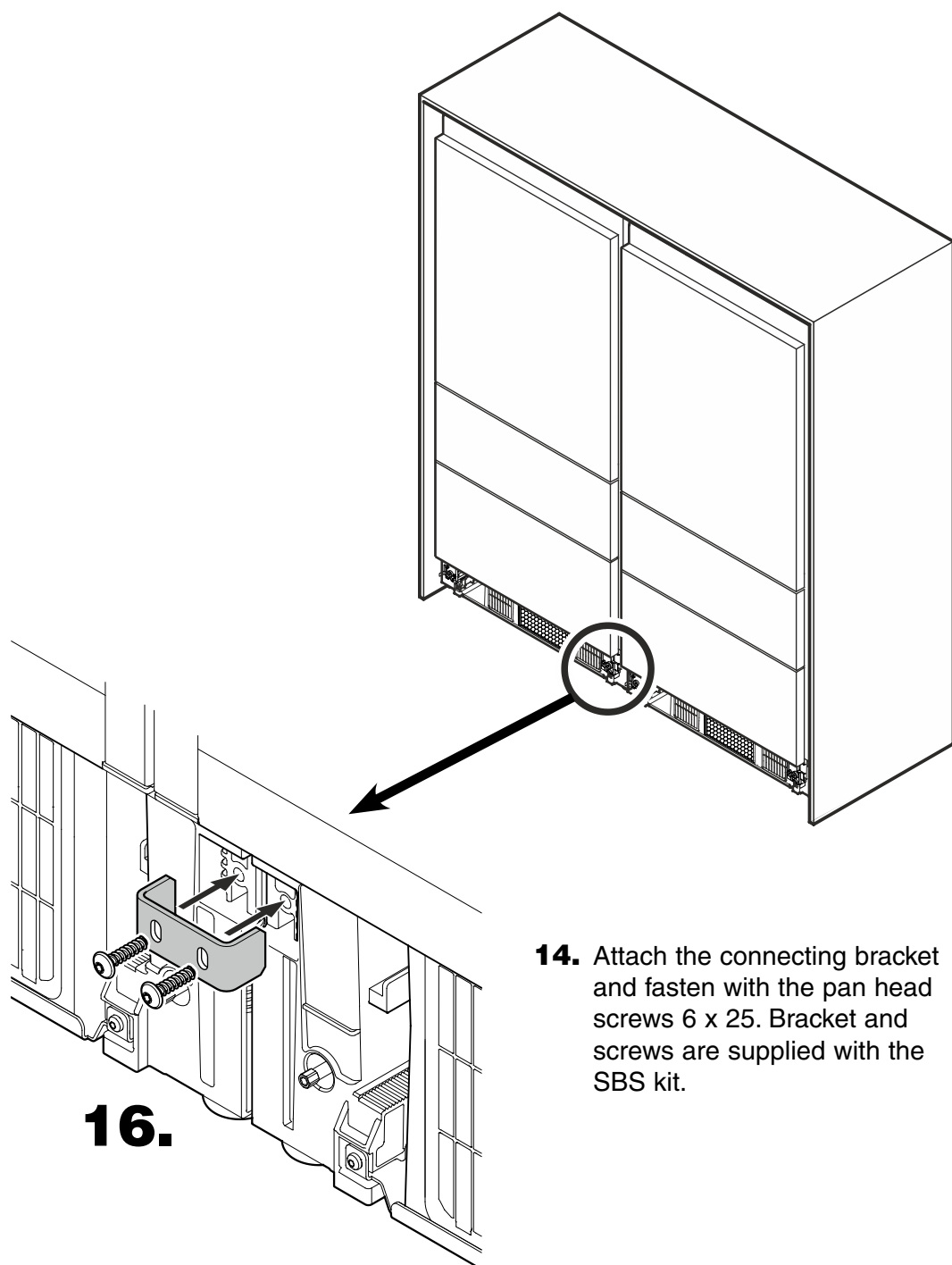
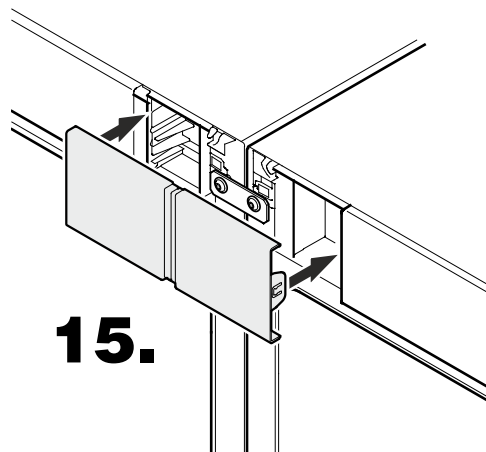


14. Attach the connecting plate supplied with the SBS Kit and fasten with the screws of step 13.



15. Click the cover supplied with the SBS kit into place.

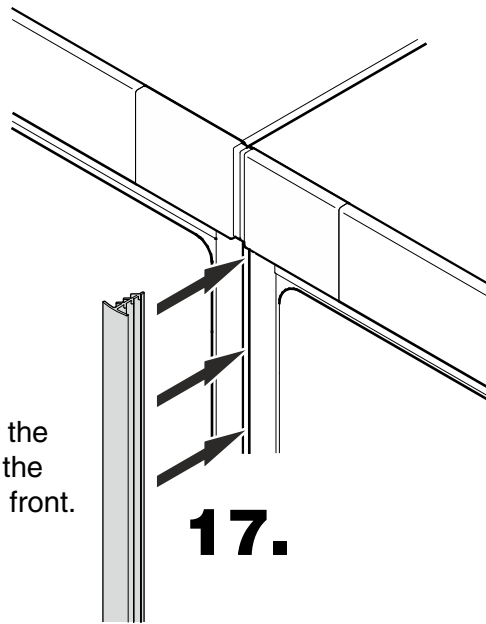
15.



14. Attach the connecting bracket and fasten with the pan head screws 6 x 25. Bracket and screws are supplied with the SBS kit.

16.

- 17.** Open the doors and press the sealing strip supplied with the SBS kit into the gap at the front.



Complete the Side by Side installation considering the following chapters in the installation instructions.

- 18. Connection to the water supply** (from passage 5 - 9)
- 19. Fastening the appliance in the recess**
- 20. Before mounting the door panels**
- 21. Mounting the attachment brackets onto the door panels**
- 22. Mounting the refrigerator door panel**
- 23. Mounting the freezer drawer panels**
- 24. Mounting the ventilation grille**

For Service in the U.S.

Liebherr Service Center

Toll Free: **1-866-LIEBHER** or **1-866-543-2437**

Email: Service-appliances.us@liebherr.com

PlusOne Solutions, Inc.

3501 Quadrangle Blvd, Suite 120

Orlando, FL 32817

For Service in Canada

Liebherr Service Center

Toll Free: **1-888-LIEBHER** or **1-888-543-2437**

www.euro-parts.ca

EURO-PARTS CANADA

39822 Belgrave Road

Belgrave, Ontario, N0G 1E0

Phone: (519) 357-3320

Fax: (519) 357-1326