

## 24" Built-In Stainless Steel Microwave Oven



### Available Finishes/Colors

**MCD4538E II**

Stainless-Steel / Black Glass Finish

### PRODUCT HIGHLIGHTS

#### German Engineered

AEG microwave ovens offers a fast way to exceptional flavors and exciting dishes, combining hot air fan cooking with the speed of a microwave to give you the mouth-watering finish and textures of a conventional oven in one compact space.

#### Perfect Cooking Every Time

Enjoy a seamless cooking experience with the user-friendly responsive touch control panel featuring a digital display.

#### Master The Way You Cook

Built for speed and convenience with 1000 watts of microwave cooking power.

#### Automatic Weight and Defrost Program

The total defrost time is automatically calculated by allocating variable defrost levels at each stage of the defrost cycle.

#### Cool-Touch Door

The power ventilated glazed glass door ensures that the outer door surface stays cool - making the oven always safe to touch and operate from the outside.

#### SoftMotion™ Hinges

The AEG SoftMotion™ hinges remind the consumer of the quality of their oven every time they effortlessly open and close the door.

#### Flush Installation

AEG wall ovens can be installed flush, creating a seamless visual line with cabinetry.

### ACCESSORIES

Circular glass turntable, Turntable ring and support, Browning plate, High grill rack, Low grill rack.

\*Optional –TK455 : 2 piece stainless steel trim kit to create a seamless cooking tower in 30" cabinet opening

### GENERAL PROPERTIES

Built-In microwave oven with grill, 45cm high

38L (1.34 Cu.Ft.) Capacity

Anti-fingerprint stainless steel / black glass finish

### FEATURES

MASTERY RANGE DESIGN, square handle

Microwave and Grill functions

Digital display with touch controls

Memory function - program up to 3 favourite recipes

Automatic cooking functions

Defrost by weight (automatic) / Defrost by time (manual)

Fully programmable clock and timer

Interior halogen light

Drop-down grill for easy cleaning

Glass turntable, grill racks

Stainless steel inner cavity

SoftMotion™ closing door

Child safety lock

### FUNCTIONS

Microwave, Grill, Microwave + Grill

### DIMENSIONS

#### Product Dimensions: W/H/D (In/mm)

**Width:** 23<sup>7/16"</sup> x **Height:** 17<sup>13/16"</sup> x **Depth:** 18<sup>7/16"</sup>

**Width:** 595mm x **Height:** 453mm x **Depth:** 468mm

#### Cut-Out Dimensions: W/H/D (In/mm)

**Width:** min. 22<sup>1/16"</sup> x **Height:** 17<sup>3/4"</sup> x **Depth:** min. 21<sup>5/8"</sup>

**Width:** min. 560mm x **Height:** 450mm x **Depth:** min. 550mm

### TECHNICAL INFORMATION

#### Electrical Requirements

208/240 V, 60Hz, 20 Amp, 3400 W

\*Note AEG microwave must be hardwired

#### Microwave Power Output

1000 W

#### Grill Power

1500 W

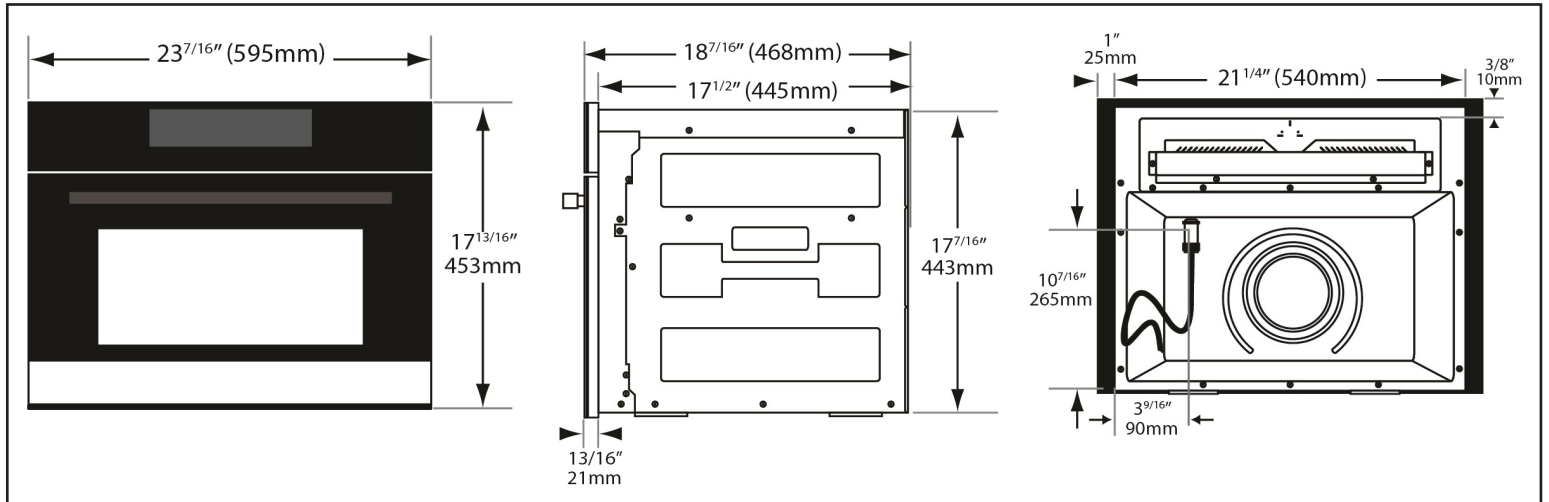
## Installation Details

### OVERALL OVEN DIMENSIONS (INCH/MM)

Width: 23<sup>7</sup>/<sub>16</sub>" / Height: 17<sup>13</sup>/<sub>16</sub>" / Depth: 18<sup>7</sup>/<sub>16</sub>"  
 Width: 595mm / Height: 453mm / Depth: 468mm

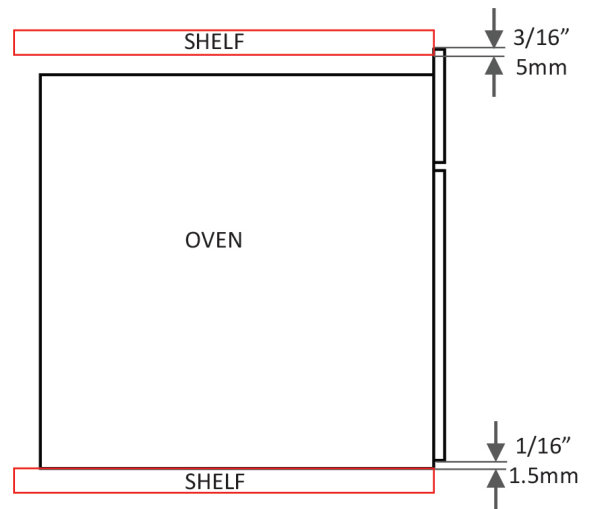
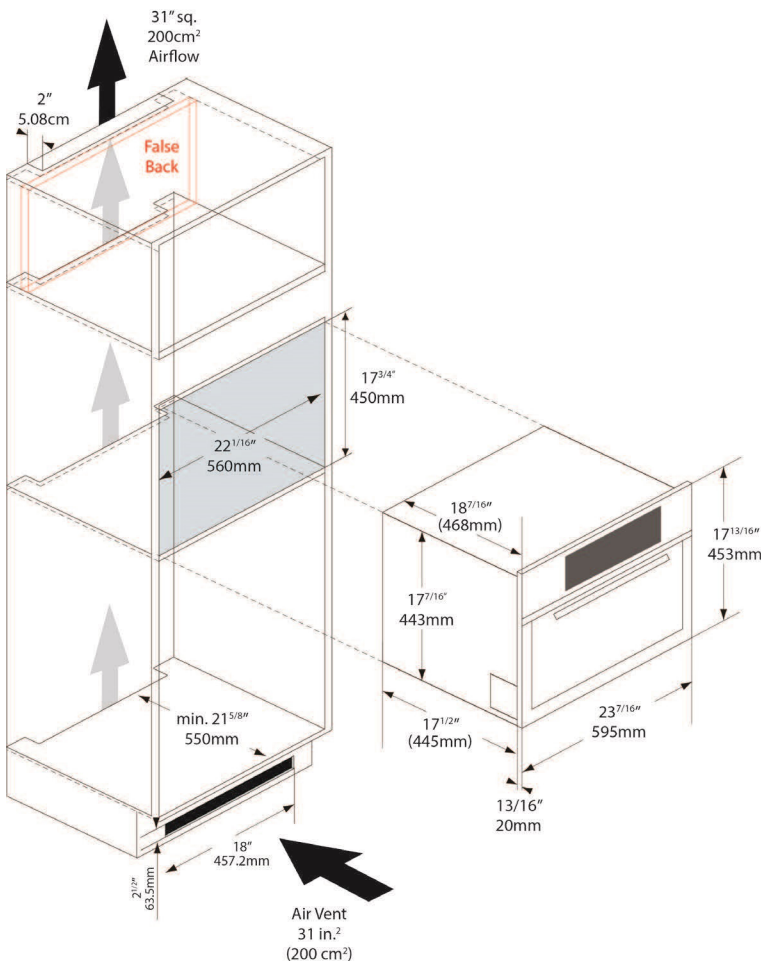
### CUT-OUT DIMENSIONS (INCH/MM)

Width: min. 22<sup>1</sup>/<sub>16</sub>" / Height: 17<sup>3</sup>/<sub>4</sub>" / Depth: min. 21<sup>5</sup>/<sub>8</sub>"  
 Width: min. 560mm / Height: 450mm / Depth: min. 550mm



### OVEN BODY DIMENSIONS (INCH/MM)

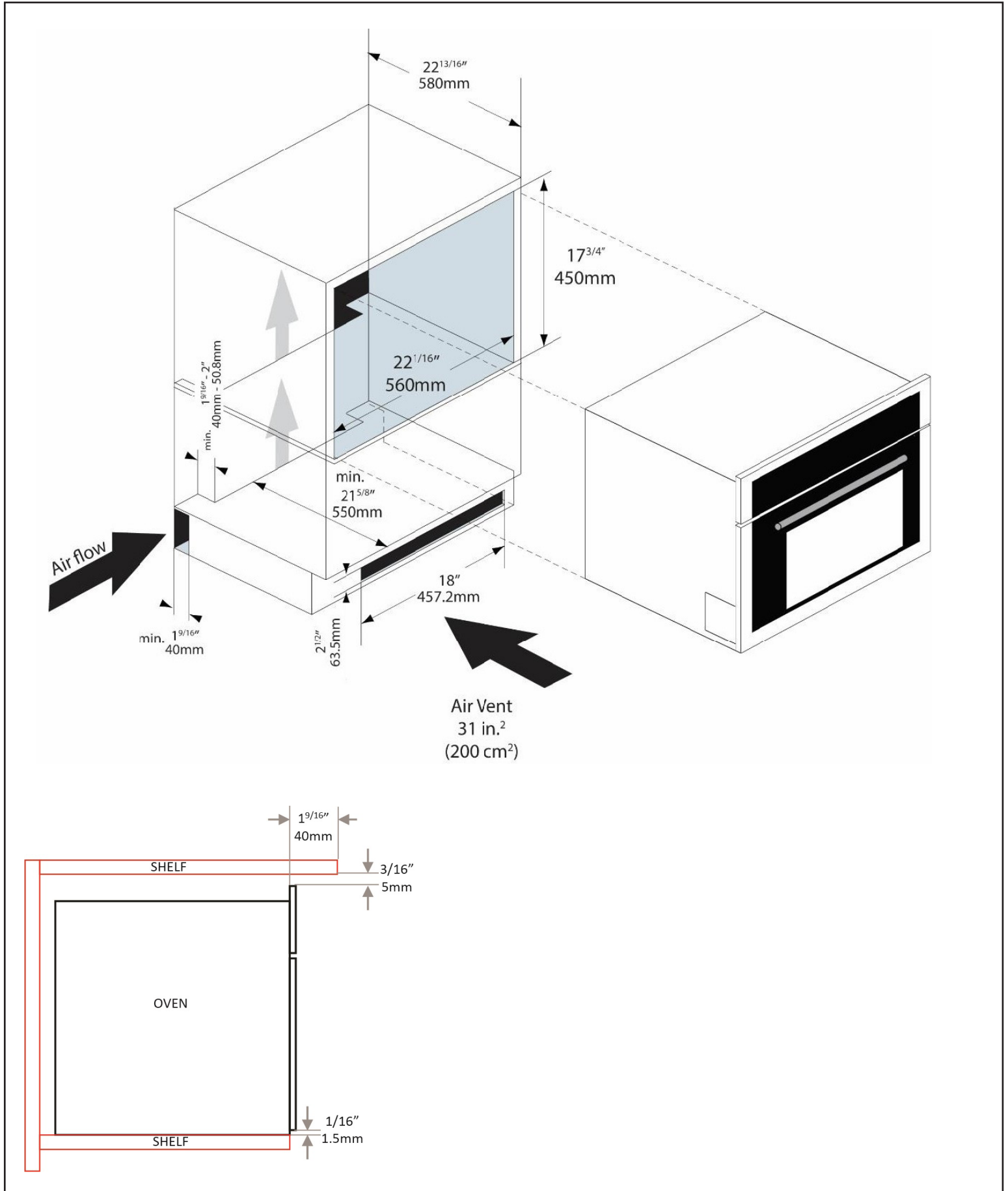
Width: 21<sup>1</sup>/<sub>4</sub>" / Height: 17<sup>7</sup>/<sub>16</sub>" / Depth: 17<sup>1</sup>/<sub>2</sub>"  
 Width: 540mm / Height: 443mm / Depth: 445mm



### FALSE BACKS

- Install false backs for storage spaces. This will prevent contents from falling through the vent space. In addition, warm air will not interfere with your stored contents

## Under-Counter Installation Details



\*Note: AEG reserves the absolute and unrestricted right to change product materials and specifications, at any time, without notice. Warranties: Please see the Use & Care manual or AEG website for a statement of limited warranty. For more information on our entire line of products, go to [www.aeg-appliances.ca](http://www.aeg-appliances.ca) or call 905.829.3980. ©AEG. All rights reserved.

# AEG

## WARRANTY INFORMATION

AEG Appliances are designed and manufactured to the highest standards. Each appliance is covered by a comprehensive 2-year parts and labour warranty. Refer to product warranty policy for complete terms and conditions.

## FOR PARTS & SERVICE

### **Euro-Parts & Service**

39822 Belgrave Road, Belgrave, ON. N0G 1E0 1 866 722 2262

[www.euro-parts.ca](http://www.euro-parts.ca) • [parts@euro-parts.ca](mailto:parts@euro-parts.ca) • [service@euro-parts.ca](mailto:service@euro-parts.ca)

AEG appliances are imported and distributed in Canada by Euro-Line Appliances Inc.  
For more information, please visit one of our showrooms or [www.ela.ca](http://www.ela.ca) / [www.elawest.ca](http://www.elawest.ca)

### **EURO-LINE APPLIANCES INC.**

871 Cranberry Court  
Oakville, ON L6L 6J7 Canada  
905.829.3980  
1-800.421.6332  
[info@ela.ca](mailto:info@ela.ca)

### **EURO-LINE APPLIANCES INC.**

101-1014 Homer Street  
Vancouver, BC V6B 2W9 Canada  
604.235.3980  
1-855.352.9378  
[infowest@ela.ca](mailto:infowest@ela.ca)