

**Dear Customer,**

*Thank you for choosing this special edition Smeg – Dolce&Gabbana, Sicily is my love  
small domestic appliance.*

*Smeg and Dolce&Gabbana have combined their artistic talents to create a unique  
collection, made in Italy by Smeg with unmistakable Dolce&Gabbana design touches.*

*We hope you enjoy using your new appliance!*

*Kindest regards,*

*SMEG S.p.A.*

# Contents

<b>1 Instructions</b>	<b>9</b>
1.1 Introduction	9
1.2 This user manual	9
1.3 Intended use	9
1.4 Manufacturer liability	10
1.5 Identification plate	10
1.6 Disposal	10
<b>2 Description</b>	<b>11</b>
2.1 Product description	11
2.2 Description of parts	12
<b>3 Use</b>	<b>14</b>
3.1 Before first use	15
3.2 Operation	15
<b>4 Cleaning and Care</b>	<b>18</b>
4.1 Instructions	18
4.2 Maintenance	18
4.3 Cleaning the surfaces	18
4.4 Ordinary daily cleaning	18
4.5 Cleaning the filter	19
4.6 Descaling	20
4.7 What to do if...	21

## Important Safeguards

**WARNING:** If the instructions contained in this manual are not followed precisely, fire or explosion may result causing property damage, personal injury or death.



**READ AND SAVE THESE INSTRUCTIONS** - Your safety and the safety of others are very important.

We have provided many important safety messages throughout this manual and on the appliance.

Read all the instructions before using the appliance and always obey all safety messages.



# Important Safeguards



## RECOGNIZE SAFETY INFORMATION

This is a safety alert symbol. This symbol alerts you to potential hazards that can result in severe personal injury or death.

## UNDERSTAND SIGNAL WORDS

A signal word - DANGER, WARNING or CAUTION - is used with the safety alert symbol. DANGER denotes the most serious hazards. It means you could be killed or seriously injured if you do not immediately follow the instructions.

WARNING means you could be killed or seriously injured if the instructions are not followed. CAUTION indicates a potentially hazardous situation, which, if not avoided, could result in minor to moderate injury.

## WARNING



- **This appliance is intended for use in the home only.**
- **Use this appliance only for its intended purpose. The manufacturer cannot be held liable for damage caused by improper use of this appliance.**
- **This appliance complies with current safety regulations. Improper use of this appliance can result in personal injury and material damage.**
- **Read all the instructions before installing or using the appliance for the first time.**
- **Keep these operating instructions in a safe place and pass them on to any future user.**

The safety messages will inform you of potential hazards, on how to avoid the risk of injury and what can occur if the instructions are not followed.

**IMPORTANT: Observe all codes and ordinances in force.**

**WARNING: For your safety, the instructions contained in this manual must be followed to minimize the risk of fire or explosion and to prevent property damage, personal injury or death.**

Do not store or use gasoline or other flammable vapors, liquids or materials near this or any other appliance.



**NOTE:** This appliance is NOT designed for installation in manufactured (mobile) homes or in recreational vehicles (RVs).

**DO NOT install this appliance outdoors.**

# Important Safeguards



## WARNING



To reduce the risk of fire, electrical shock, personal injury, or damage when using the appliance, follow basic safety precautions, including the following:

Z  
U

Follow all safety instructions in order to use the appliance safely.

- Read this user manual carefully before using the appliance.
- To protect against electric shock, do not immerse the appliance, the power cord or the plug in water or any other liquid.
- Do not use the appliance when the power cord or the plug is damaged or after the appliance malfunctions, or when the appliance has fallen or is damaged in any manner. Return the appliance to the nearest authorized service facility for examination, repair or adjustment.
- If the power cord is damaged, it must be replaced by the manufacturer, its service agent or similarly qualified person in order to avoid a hazard.
- Do not let the cord hang over the edge of a table or counter or touch hot surfaces.
- Protect the power cord from heat and oil.
- Do not pull on the cord to unplug it from the power socket.
- Do not place the appliance above or near hot electric range burners, inside an oven or near other heat sources.
- Switch off the appliance immediately after use.
- Disconnect the appliance from the power socket as soon as you have finished using it and before cleaning it.
- In case of fault, repairs should only be carried out by a qualified technician.
- Never try to put out a fire or flames with water: turn off the appliance, unplug it from the socket and smother the flames with a fire blanket or other appropriate cover.
- Do not modify the appliance.
- Keep the appliance out of children's reach.
- Do not use outdoors.
- Do not use the appliance for other than the intended use.
- To reduce the risk of fire, do not place any heating or cooking appliance beneath the appliance.
- To reduce the risk of fire, do not store anything directly above the appliance surface when the appliance is in operation.
- To reduce the risk of electric shock, do not position the appliance over a sink.



# Important Safeguards

## For this appliance

- The kettle can get very hot during operation. Do not touch the hot surfaces. Use the handle.
- Make sure the handle is fastened properly. Do not use the kettle if the handle is loose.
- Unplug the kettle when it is not being used, before cleaning and if you notice any fault. Let the appliance cool down before cleaning.
- Always use the kettle with the scale filter in place.
- Do not overfill the kettle (max. 1.7 liters/ 7 cups), otherwise boiling water may spray out.
- Only use the kettle to boil water. Never fill the kettle with other liquids.
- Do not open the kettle's lid while it is to avoid the risk of scalding.
- Check that the lid is correctly closed before turning on the kettle.
- Do not use the kettle on bases from other manufacturers.
- Only use original spare parts. The use of spare parts not approved by the manufacturer could lead to fires, electric shock or personal injury.
- Place the base only on level surfaces.
- Do not use metal implements or scouring pads to clean the inside of the kettle. Only use products specifically designed for the purpose.
- Empty the kettle before you use it each time: if residual water is left inside, this could lead to scale building up.
- This appliance may not be used by people of reduced physical and mental capacity, or without sufficient experience and knowledge (including children), unless they are supervised or instructed by adults who are responsible for their safety.
- Cleaning and maintenance must never be performed by unsupervised children.
- Keep the kettle and its power cord out of the reach of children.
- Do not allow children to play with the appliance.
- This appliance is intended for domestic use. Any other use is considered improper. It also can be used in:
  - staff kitchen areas in shops, offices and other working environments;
  - by guests in hotels, motels and other residential-type environments;
  - bed and breakfast-type environments.

**SAVE THESE INSTRUCTIONS**

# Important Safeguards



NE

## 1 Instructions

### 1.1 Introduction

Key information for the user:

#### Instructions



General information on this user manual, on safety and final disposal.

#### Description



Appliance description.

#### Use



Information on using the appliance

#### Cleaning and care



Information for proper cleaning and maintenance of the appliance.



Safety instructions



Information



Advice

### 1.2 This user manual

This user manual is an integral part of the appliance and must therefore be kept in its entirety and within the user's reach for the whole working life of the appliance.

### 1.3 Intended use

- Use the appliance only indoors.
- The appliance has been designed specifically for domestic use. It must only be used to heat water. Do not use the appliance for anything other than its intended use.
- The appliance is not designed to operate with external timers or with remote-control systems.
- This appliance may not be used by people of reduced physical and mental capacity, or without sufficient experience and knowledge (including children), unless they are supervised or instructed by adults who are responsible for their safety.
- Children must never play with the appliance. Keep the appliance out of children's reach.



The California Safe Drinking Water and Toxic Enforcement Act requires the Governor of California to publish a list of substances known to the State of California to cause cancer, birth defects or other reproductive harm, and requires businesses to warn customers of potential exposure to such substances.



# Important Safeguards



## Warning

- This product contains a chemical known by the State of California to cause cancer, birth defects or other reproductive harm.
- This appliance can cause low-level exposure to some of the substances listed, including benzene, formaldehyde, carbon monoxide, toluene, and soot.

## 1.4 Manufacturer liability

The manufacturer declines all liability for damage to persons or property caused by:

- Using the appliance other than as envisaged;
- Not having read the user manual;
- Tampering with any part of the appliance;
- Using non-original spare parts;
- Not following the safety instructions.

## 1.5 Identification plate

The identification plate bears the technical data, serial number and brand name of the appliance. Do not remove the identification plate for any reason.

## 1.6 Disposal



Power voltage

**Danger of electrocution**

- Turn off the appliance.
- Unplug the appliance from the wall outlet.

- **Old appliances do not belong in household waste!** To comply with current legislation, old appliances, having reached the end of their useful lives, should be taken to a disposal facility where they can be sorted. In this way, any valuable material contained in the old appliances can be recycled and the environment protected. Responsible local authorities or their waste disposal operators can provide further information.

The appliance is packed in non-polluting and recyclable materials.

- Dispose of the packing materials at an appropriate disposal facility.



Plastic packaging

**Danger of suffocation**

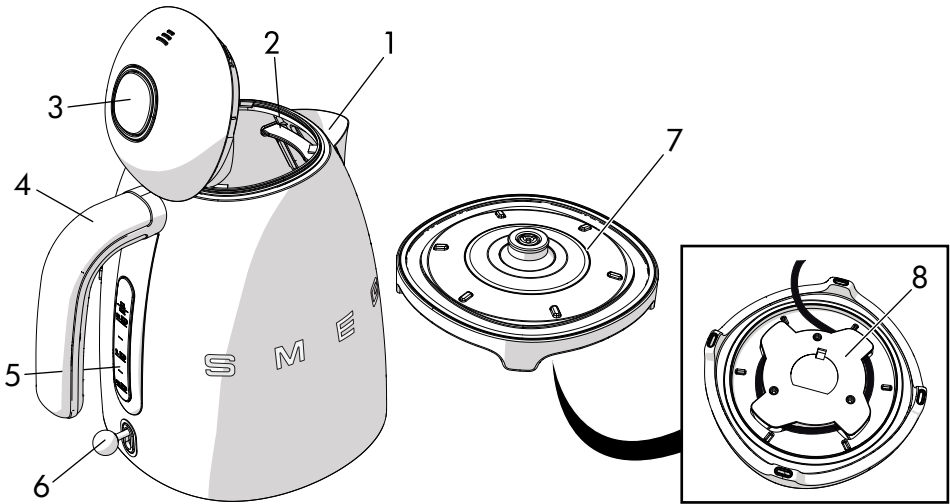
- Do not leave the packaging or any part of it unattended.
- Do not let children play with the plastic bags.



## 2 Description

### 2.1 Product description

EN



**Model KLF03 - Kettle**

- 1 Anti-drip spout
- 2 Scale filter
- 3 Lid with push-push opening
- 4 Handle
- 5 Water level indicator
- 6 ON/OFF lever with indicator light
- 7 Power base with 360° operation
- 8 Cable compartment (under base)

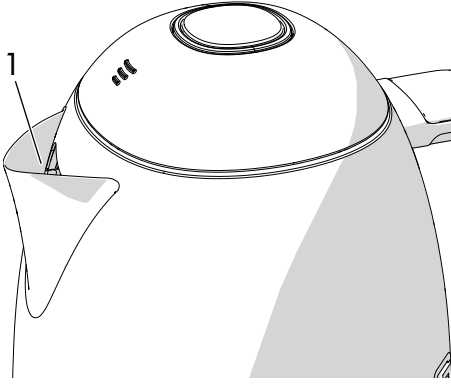




## Description

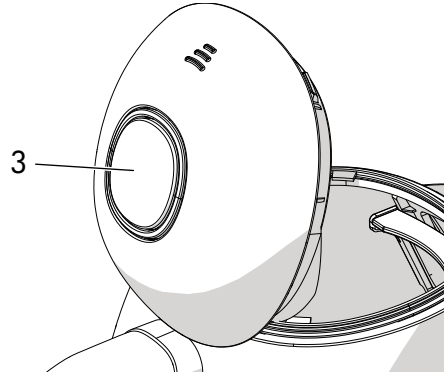
### 2.2 Description of parts

#### Anti-drip spout (1)



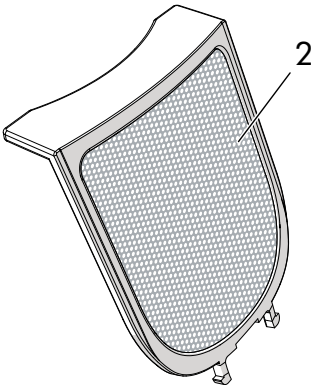
The large stainless-steel spout allows water to be poured easily and without spilling.

#### Lid with push-push opening (3)



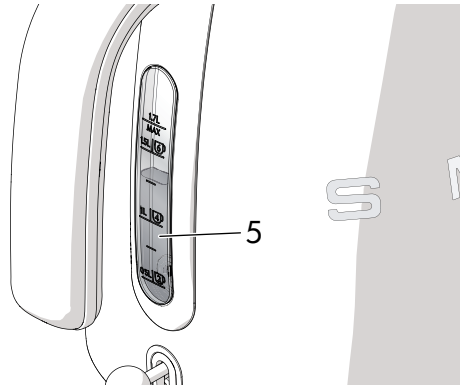
The lid has a push-button (3) which allows it to open progressively to prevent the sudden release of steam.

#### Scale filter (2)



The stainless-steel filter is located behind the spout. It retains any scale present in the water.

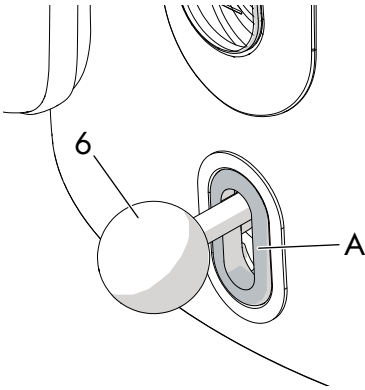
#### Water level indicator (5)



This indicator shows the level of water in the kettle, from the minimum fill level of 0.5 liters (2 cups) to the maximum of 1.7 liters (7 cups), also showing the corresponding quantity in cups.



## ON/OFF lever with indicator light (6)

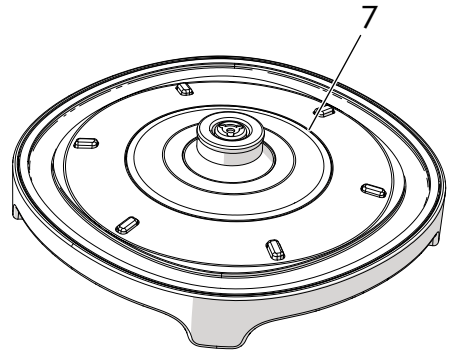


The ON/OFF lever starts or stops the boiling process. When the kettle is on, the LED **A** turns on and becomes white.

**i** To avoid damaging the appliance, the kettle is equipped with a **safety device** which turns the lever to the OFF position automatically if the kettle is accidentally switched on without water.

If this occurs, let the kettle cool down before starting the boiling cycle again.

## Power base with 360° operation (7)



The base's 360° operation allows the kettle to be used in any position.



## 3 Use



### Electrical Shock Hazard

- Plug into a grounded 3-prong outlet.
- Do not remove the ground prong.
- Do not use an adapter.
- Do not use an extension cord.
- Failure to follow these instructions can result in death, fire, or electrical shock.

Volts: 120 Volts AC only.

Hertz: 60 Hz



Your kettle has a 3-prong grounded plug. To reduce the risk of electrical shock, this plug will fit into an outlet only one way. If the plug does not fit in the outlet, contact a qualified electrician. Do not modify the plug in any way.

- Do not use an extension cord. If the power supply cord is too short, have a qualified electrician or service technician install an outlet near the appliance.
- A short power supply cord (or detachable power supply cord) should be used to reduce the risk resulting from becoming entangled in or tripping over a longer cord.
- Longer detachable power supply cords or extension cords are available and may be used if care is taken when using them.

If a longer detachable power supply cord or extension cord is used:

- The marked electrical rating of the power supply cord or extension cord should be at least as great as the electrical rating of the appliance.
- The cord should be arranged so that it will not hang over the countertop or tabletop where it can be pulled on by children or tripped over unintentionally.
- If the appliance is of the grounded type, the extension cord should be a grounded type 3-prong cord.



### 3.1 Before first use

1. Remove all stickers and labels from the kettle and clean the outside with a damp cloth.
2. Remove the scale filter behind the spout and wash it under running water.
3. Return the filter to the correct position.
4. Remove the kettle from its base, press the button to open the lid and fill it to the maximum level.
5. Close the lid again, place the kettle down on its base and push the ON/OFF lever down to turn it on.
6. Wait for the water to boil, then empty the kettle, disposing of the boiling water safely. Repeat this operation at least three times.



#### Tips and suggestions for the user

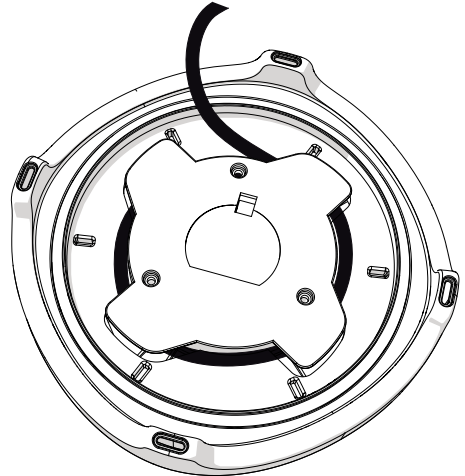
- Do not use the kettle to heat anything other than water – this would risk causing severe damage to the appliance.
- Only boil the quantity of water required so as not to waste water, electricity and your time.
- Always boil cold water to improve the quality of your hot drinks.

To increase the appliance's lifetime:

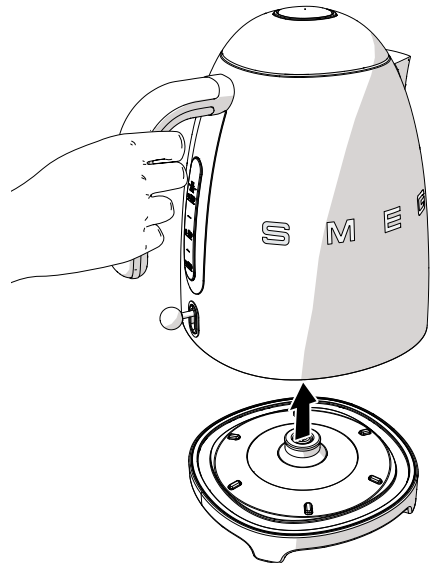
- Empty any remaining water from the kettle after each use.
- Regularly remove any scale from inside the kettle.

### 3.2 Operation

1. If necessary, shorten the length of the power cable by winding it under the base.



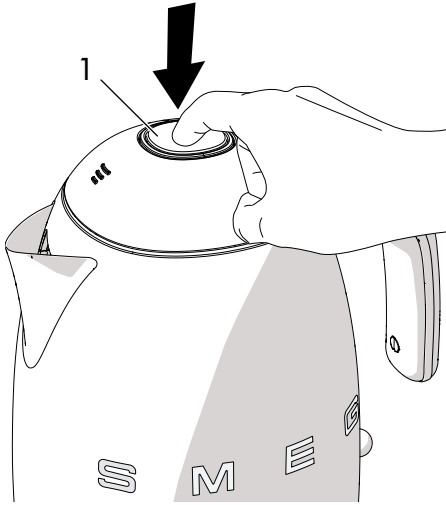
2. Hold the kettle by its handle when removing it from the base.



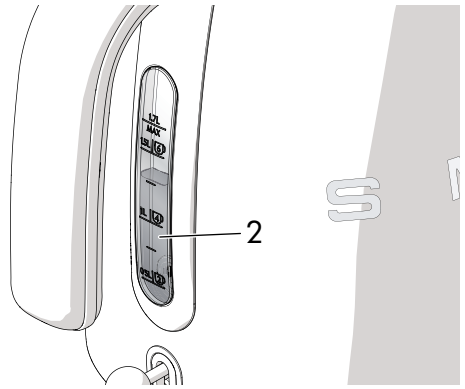


## Use

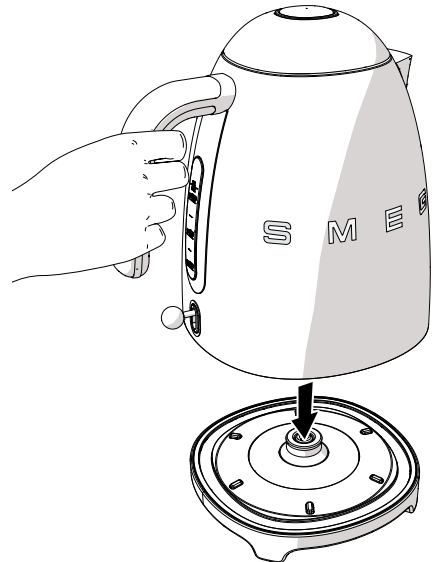
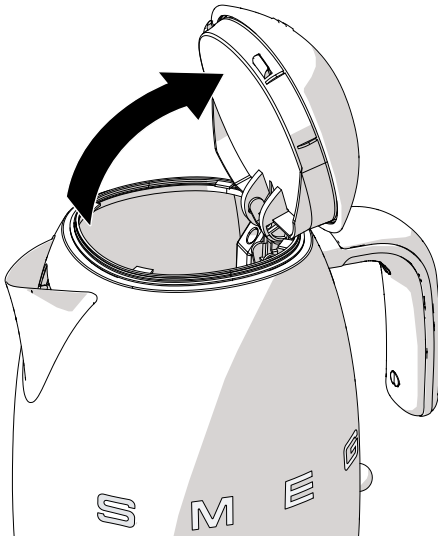
3. Press the button (1) to open the lid.



4. Fill the kettle with the required quantity of water, referring to the marks on the level indicator (2).



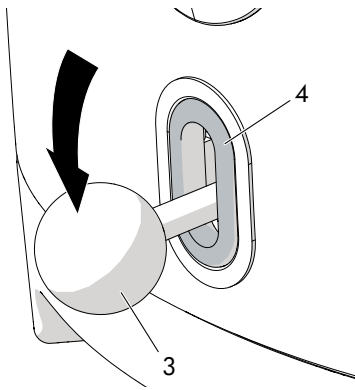
5. Close the lid again and place the kettle back on its base.



6. Insert the plug into the power socket.



7. Push the lever (3) downwards to turn the kettle on. The LED (4) will turn on and become white.



**i** Any slight marks or rings inside the kettle are normal and due to functional inspections which are performed on each unit before packaging.

8. When the water boils, the lever will automatically click into the up (OFF) position and the LED will turn off.
9. Pick up the kettle by the handle and pour the boiling water into the desired recipient (cups, teapot etc.).



### Danger of burns

- Wait a few seconds from when the kettle boils, then pour the water out slowly to prevent it spraying or coming out too fast.
- Do not fill the kettle beyond the maximum level (1.7 liters/7 cups) to avoid the risk of burns when pouring.
- Do not tilt the hot kettle excessively – the boiling water could spray out and risk burning you.
- Keep your face a safe distance from the lid to avoid the risk of burns from escaping steam.



## 4 Cleaning and Care

### 4.1 Instructions



**Improper use**  
**Danger of electrocution**

- Unplug the kettle before cleaning it.



**Hot appliance**  
**Danger of burns**

- Let the appliance cool down before cleaning.



**Improper use**  
**Risk of damage to surfaces**

- Do not use steam jets to clean the appliance.
- Do not use cleaning products containing chlorine, ammonia or bleach.
- Do not use abrasive or corrosive detergents (e.g. powder products, stain removers and metallic scourers).
- Do not use rough or abrasive materials or sharp metal scrapers.

### 4.2 Maintenance

All service should be performed by an authorized service representative.

### 4.3 Cleaning the surfaces

To keep the kettle's outside surfaces in good condition, they should be cleaned regularly after use. Let them cool first.

### 4.4 Ordinary daily cleaning

Always use only products which do not contain abrasive substances or chlorine-based acids.

Pour the product onto a damp cloth and wipe the surface, wipe clean thoroughly and then dry with a soft cloth or a microfiber cloth.

For cleaning the filter, see the section "4.5 Cleaning the filter".



### Tips and suggestions for the user

If the kettle is left unused for a long time, clean the outside surfaces and perform the cleaning operations indicated in section "3.1 Before first use" from point 2 to point 6.

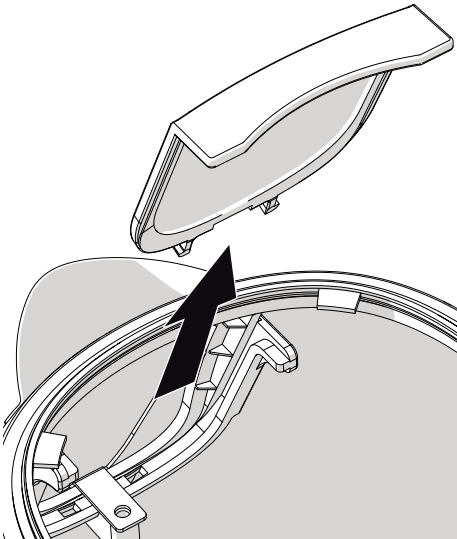
## 4.5 Cleaning the filter



### Important

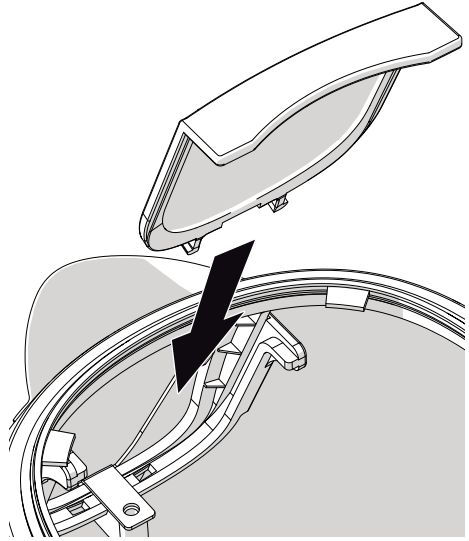
When washing the filter, make sure your hands are clean and free of any residue from soap, creams or other products which could contaminate the water.

1. Open the lid and extract the filter.



2. Wash the filter under running water with the aid of a soft brush.

3. Put the filter back in position behind the spout.







### 4.6 Descaling

Regularly removing any deposits of scale inside the kettle will prolong your kettle's life, ensuring maximum performance and energy savings.

The kettle can be descaled using specific descaling products.



#### Improper use

#### Risk of damage to the appliance

- Do not use descaling products for cleaning bathrooms or kitchens, or scented products.

Leave the descaling product to act, then rinse thoroughly. Then boil at least two full kettles of water, disposing of the boiling water safely, to remove any residue of the product before use.

Alternatively, you can use common household vinegar.

Proceed as follows:

1. Fill the kettle with water (1 liter/4 cups) and boil it.
2. Add the white vinegar (from 0.1 l/0.42 cups to 0.5 l/2 cups depending on the amount of scale).
3. Leave it to act overnight.
4. Empty the kettle.
5. Fill the kettle with water and boil it. Empty the kettle, disposing of the water safely. Repeat this operation at least twice.



#### Tips and suggestions for the user

- Scale build-up can cause the kettle to switch off during use before the water has boiled. Boiling times could also be increased.
- If the kettle is used daily, or if it becomes more difficult to pour out the water, descale the kettle and filter more frequently.
- In some regions the water is harder, and in these areas it could have a cloudy appearance and leave residue on the walls of the kettle. In this case, clean the inside of the kettle more frequently or use purified/softened water.



## 4.7 What to do if...

Problem	Cause	Solution
Pouring water becomes more difficult	Scale build-up on filter	Check that the filter is clean and correctly positioned
The kettle turns off before boiling	The base of the kettle has excessive scale build-up	Descale more frequently
	Too little water has been added to the kettle	Increase the quantity of water until you reach at least the minimum level
The appliance does not turn on	The safety device has been tripped due to the kettle being operated without water	Let the kettle cool down before attempting to boil water again
	The plug is not properly inserted in the power socket	Insert the plug into the power socket. Do not use adaptors or extensions. Check that the house's main breaker is on
	The cable is defective	Have the cable replaced at an Authorised Service Centre
	There is no power	Check that the house's main breaker is on