

INSTRUCTION MANUAL

2 SLICE AND 4 SLICE TOASTER

MANUEL D'UTILISATION

GRILLE-PAIN 2 ET 4 TRANCHES

MANUAL DE USO

TOSTADOR DE 2 Y 4 REBANADAS

EN  
FR  
ES



---

**Important information for the user**  
**Informations importantes pour l'utilisateur**  
**Información importante para el usuario**



**Instructions / Instructions / Instrucciones**



**Description / Description / Descripción**



**Use / Usage / Uso**



**Cleaning and maintenance / Nettoyage et entretien / Limpieza y mantenimiento**



**Safety instructions / Directives de sécurité / Instrucciones de seguridad**



**Information / Informations / Información**



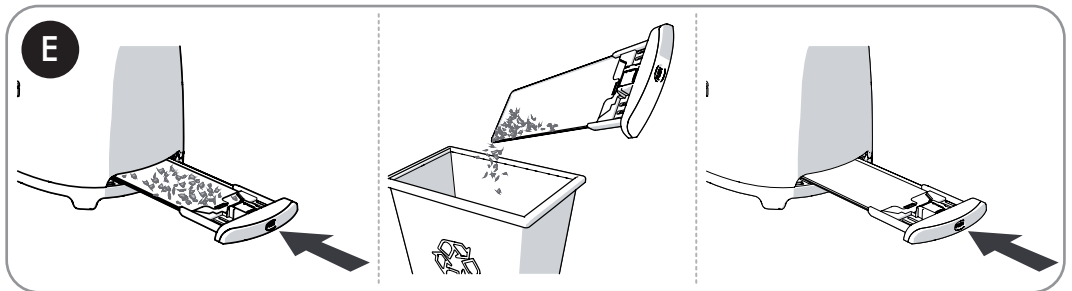
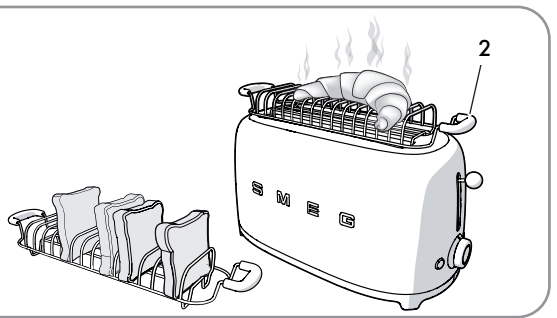
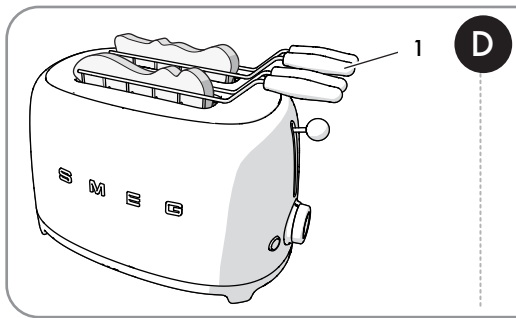
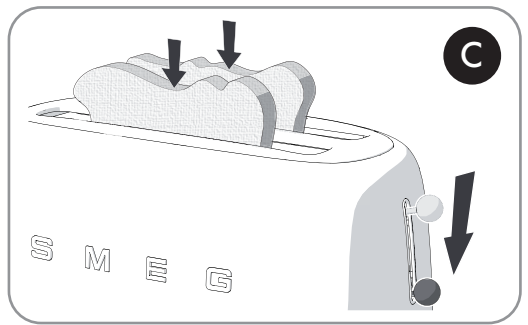
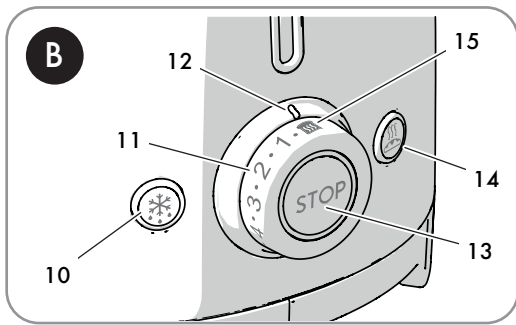
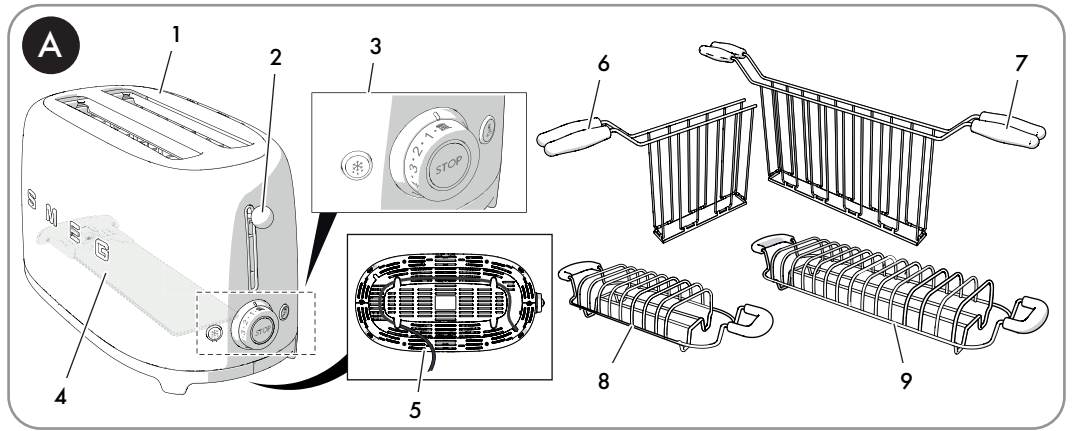
**Advice / Conseil / Recomendaciones**

Dear Customer, Thank you for purchasing one of our appliances. Our products are unique because they combine iconic style with innovative technical solutions. They match perfectly with other products in our range and work equally well as a standalone design objects in your kitchen. We hope you enjoy using your new appliance!

Cher client, merci beaucoup pour votre achat. Nos produits sont uniques car ils combinent une forte recherche esthétique avec une conception technique innovante. Ils sont coordonnés avec d'autres produits de la gamme et peuvent constituer des éléments de design pour votre cuisine. Nous espérons que vous aimerez utiliser votre nouvel appareil !

Estimado Cliente, Le agradecemos por haber comprado uno de nuestros aparatos. Nuestros productos son únicos porque combinan un estilo icónico con soluciones técnicas innovadoras. Combinan perfectamente con otros productos de nuestra gama y trabajan igual de bien como objetos independientes en su cocina. Le deseamos que pueda aprovechar plenamente su nuevo electrodoméstico.

**SMEG S.p.A.**



# IMPORTANT SAFEGUARDS



**WARNING:** If the instructions contained in this manual are not followed precisely, a fire or explosion may result causing property damage, personal injury or death.



## READ AND SAVE THESE INSTRUCTIONS

Your safety and the safety of others are very important.

We have provided many important safety messages throughout this manual and on the appliance.

Read all the instructions before using the appliance and always obey all safety messages.



## RECOGNIZE SAFETY INFORMATION

This is the safety alert symbol. This symbol alerts you to potential hazards that can result in severe personal injury or death.

## UNDERSTAND SIGNAL WORDS

A signal word – DANGER, WARNING, or CAUTION – is used with the safety alert symbol. DANGER denotes the most serious hazards. It means you could be killed or seriously injured if you do not immediately follow the instructions. WARNING means you could be killed or seriously injured if the instructions are not followed. CAUTION indicates a potentially hazardous situation, which, if not avoided, could result in minor to moderate injury.

## WARNING



- This appliance is intended for residential use only.
- Use this appliance only for its intended purpose. The manufacturer cannot be held liable for damage caused by improper use of this appliance.
- This appliance complies with current safety regulations. Improper use can result in personal injury and material damage.
- Read all the instructions before installing or using the appliance for the first time.
- Keep these operating instructions in a safe place and pass them on to any future user.



# IMPORTANT SAFEGUARDS

The safety messages will inform you of potential hazards, on how to avoid the risk of injury and what can occur if the instructions are not followed.

**IMPORTANT:** Observe all codes and ordinances in force.

**WARNING:** For your safety, the instructions contained in this manual must be followed to minimize the risk of fire or explosion and to prevent property damage, personal injury or death.

Do not store or use gasoline or other flammable vapors, liquids or materials near this or any other appliance.



**NOTE:** This appliance is NOT designed for installation in manufactured (mobile) homes or in recreational vehicles (RVs).

**DO NOT install this appliance outdoors.**

# IMPORTANT SAFEGUARDS



## WARNING



To reduce the risk of fire, electrical shock, personal injury, or damage when using the appliance, follow basic safety precautions, including the following:

Follow all safety instructions to use the appliance safely.

- Read this user manual carefully before using the appliance.
- To protect against electric shock, do not immerse the appliance, the power cord or the plug in water or any other liquid.
- Do not use the appliance when the power cord or the plug is damaged or after the appliance malfunctions, or when the appliance has fallen or is damaged in any manner. Return appliance to the nearest authorized service facility for examination, repair or adjustment.
- Do not place the appliance on or near a burning gas or an electrical stove or in a heated oven.
- The cord is short to prevent accidents.
- Do not let cord hang over edge of table or counter or touch hot surfaces.
- In case of a fault, repairs should only be carried out by a qualified technician.
- Never try to put out a fire or flames with water: turn off the appliance, remove the plug from the socket and smother the flames with a fire blanket or any other appropriate means.
- Do not modify this appliance.
- Do not try to repair the appliance yourself or without the intervention of a qualified technician.
- If the power supply cable is damaged, contact technical support immediately.

- The use of accessory attachments not recommended by the appliance manufacturer may cause injuries.
- Extreme caution must be used when moving the appliance if the crumb tray contains hot oil or other hot liquids.
- Do not operate unattended.

### For this appliance

- The toaster can get very hot when it is operating. Do not touch any hot surfaces. Use the control knob and functions, the breadlift and optional accessories.
- Unplug from the outlet when not in use, before cleaning and in case of fault. Let it cool before putting on or taking off parts, and before cleaning the appliance.
- Bread may burn. Therefore do not use the appliance near or below combustible materials, such as curtains.
- Make sure the breadlift is elevated before you plug in or unplug the toaster.
- Make sure that the air around the toaster can circulate freely. Do not place anything on top of the toaster. A fire may occur if the toaster is covered with or touching flammable material, including curtains, draperies, walls or similar, when in operation.
- Do not try to remove food from the toaster when it is plugged in.
- When heating toaster pastries, always use the lightest toast color setting.
- Never insert in the toaster oversized



# IMPORTANT SAFEGUARDS

food, metal foil packages, metallic objects such as knives, forks, spoons as they may involve a risk of fire or electric shock.

- Never use metallic objects such as knives, forks or spoons to clean the toaster.
- The appliance must never be cleaned by unsupervised children.
- To disconnect, make sure all controls are turned off, then unplug the cord from the wall outlet.
- Do not attempt to dislodge food when toaster is plugged in.
- Close supervision is necessary when any appliance is used by or near children.

## 1 Instructions

This user manual is an integral part of the appliance and must therefore be kept in its entirety and in an accessible place for the whole working life of the appliance.

### 1.1 Intended use

- Use the appliance only indoors.
- This appliance has been designed exclusively for domestic use. It can only be used for toasting bread. Do not use the appliance for anything other than the intended use.
- Carefully follow the notes and suggestions provided in the user manual.
- Only use the appliance for toasting bread.
- The appliance can also be used for preparing toasted sandwiches but only if the specific sandwich racks are used (sold separately).
- If food or other substances were to come in to contact with the heating elements they may cause unpleasant odours, smoke and damage the appliance.
- The appliance is not designed to operate with external timers or with remote-control systems.
- This appliance must not be used by people (including children) of reduced physical and mental capacity, or lacking in experience in the use of electrical appliances, unless they are supervised or instructed by adults who are responsible for their safety.
- Children must never play with the appliance.





## 1.2 General safety instructions

- Unplug from outlet when not in use and before cleaning. Allow to cool before putting on or taking off parts, and before cleaning the appliance.
- Do not immerse the appliance, the power cord, the plug or the base in water or any other liquid. Do not unplug the appliance with wet hands, or by pulling on the power cord.
- Never wash the appliance in the dishwasher.
- For cleaning instructions, please refer to the chapter "Cleaning and maintenance."
- In the event of a fault, or if the power cable is damaged, the appliance must only be repaired by a qualified technician or an authorized technical support center.
- Any modifications to the appliance will invalidate the warranty.

## 1.3 Manufacturer liability

The manufacturer declines all liability for damage to persons or property caused by:

- Use of the appliance other than the one envisaged;
- Not having read the user manual;
- Tampering with any part of the appliance;
- Use of non-original spare parts;
- Not following the safety instructions.

## 1.4 Disposal

- Old appliances do not belong in household waste! To comply with current legislation, old appliances, having reached the end of their useful lives, should be taken to a disposal facility where they can be sorted. In this way, any valuable material contained in the old appliances can be recycled and the environment protected. Responsible local authorities or their waste disposal operators can provide further information.
- The appliance is packed in non-polluting and recyclable materials.
- Dispose of the packing materials at an appropriate disposal facility



# IMPORTANT SAFEGUARDS



## Fire hazard:

- Do not position the appliance above hot surfaces, cooktop burners, or inside a hot oven.



## Caution

- To clean surfaces that come into contact with food, follow the special cleaning procedures provided in the instructions.



## Suffocation hazard due to plastic packaging:

- Do not leave the packaging or any part of it unattended.
- Do not let children play with the plastic bags.



## Caution

- If the appliance is not plugged in, the breadlift will not lock.



## Risk of injury:

- Improper use of the appliance can cause personal injury.



## Hot appliance

- The bun warmer and sandwich rack will be hot during the toasting cycle. When removing it from the toaster, take care not to burn yourself by touching the metal parts.



## Danger of electrocution:

- Plug into a grounded 3-prong outlet.
- Do not remove the grounding prong.
- Do not use an adapter.
- Avoid spilling liquids onto the power plug and base.
- Unplug the appliance when it is not being used, before cleaning and if you notice any fault.
- Failure to follow these instructions can result in death, fire, or electric shock.
- Disconnect the main power supply.
- Unplug the cord from the wall outlet.



## Hot appliance

- If the appliance is not plugged in, the breadlift will not lock.

## SAVE THESE INSTRUCTIONS



## 2 Product description (Fig. A - B)

- 1) Extra-wide slots with self-centering racks
- 2) Breadlift
- 3) Control panel
- 4) Crumb tray
- 5) Cable compartment (under base)
- 6) TSSR01 Sandwich racks (optional accessory suitable for TSF01 Toaster)
- 7) TSSR02 Sandwich racks (optional accessory suitable for TSF02 Toaster)
- 8) TSBW01 Bun Warmer (optional accessory suitable for TSF01 Toaster)
- 9) TSBW02 Bun Warmer (optional accessory suitable for TSF02 Toaster)
- 10) Defrost function button
- 11) Browning control knob
- 12) Browning indicator
- 13) Stop function button
- 14) Bagel function button
- 15) Reheat function

### 2.1 Control panel (Fig. B)

- Defrost function button (10 - Fig. B)

This function is useful when using frozen bread. During toasting the defrost button will light up to indicate that the cycle is activated.

- Browning control knob (11 - Fig. B)

This control is used to select one of the 6 different browning levels or the Reheat function. During toasting the central LED lights up to indicate that the toasting cycle is activated.

- Browning indicator (12 - Fig. B)

The Browning indicator shows the selected browning level or the selected Reheat function.

- Stop function button (13 - Fig. B)

The Stop button can be used to cancel or stop the toasting cycle at any time.

- Bagel function button (14 - Fig. B)

This feature will toast one side of a bagel or any other kind of bread, without toasting the other side. During toasting the Bagel button will light up to indicate that the function has been activated.

- Reheat function (15 - Fig. B)

This function is used to reheat cold toast or to continue a toasting cycle if the result is not satisfactory. During toasting the central LED lights up to indicate that the cycle is activated.



## Use

### 3 Use

Volts: 120 Volts AC only.

Hertz: 60 Hz



#### Tips and suggestions

Your toaster has a 3-prong grounded plug. To reduce the risk of electrical shock, this plug will fit in an outlet only one way. If the plug does not fit in the outlet, contact a qualified electrician. Do not modify the plug in any way.

- If the power supply cord is too short, have a qualified electrician or serviceman install an outlet near the appliance.
- A short power supply cord (or detachable power supply cord) should be used to reduce the risk resulting from becoming entangled in or tripping over a longer cord.
- Longer detachable power supply cords or extension cords are available and may be used if care is exercised in their use.
- If a longer detachable power supply cord or extension cord is used:
  - The marked electrical rating of the cord set or extension cord should be at least as great as the electrical rating of the appliance.
  - The cord should be arranged so that it will not drape over the countertop or tabletop where it can be pulled on by children or tripped over unintentionally.
  - If the appliance is of the grounded type, the extension cord should be a grounding-type 3-wire cord.

### 3.1 Before first use

- 1) Remove all stickers and any packing or printed material that might have fallen inside during shipping or handling. Do not probe inside the toaster with a metal object.
- 2) Clean the outside of the toaster with a damp cloth.
- 3) Use the toaster for the first time without any bread in it.
- 4) Turn the browning control to the maximum position and press the breadlift down. In this way you will burn off any dust that has fallen into the toaster during production or transport.



**During first use there may be some smoke and odors.**



#### Tips and suggestions

- Remember that the type of bread you use will impact the toasting times. The fresher the bread you use, the longer it will take to toast. Different kinds of bread have different moisture content and will require different browning levels. For example, fruit breads generally toast much quicker, and freshly baked breads will take longer as they have a greater moisture content.



### Tips and suggestions

- The first batch of toast you make enables the heating elements to reach the correct toasting temperature. Please note that further batches of toast could take less time.

For best results:

- Toast only one type of bread at a time.
- Toast bread slices of the same thickness.
- Use bread slices no thicker than one inch.
- If you are using handcut bread, try to cut slices as evenly as possible. Uneven slices will toast unevenly.
- Be aware that if you use very thin or broken slices of bread, they will burn.

## 3.2 Operation

If necessary, shorten the cord by wrapping it under the base (5 - Fig. A).

- 1) Plug in the toaster.
- 2) Insert the bread in the slot (Fig. C).
- 3) Remember that as bread is not normally square, you may need to turn the bread on its side to get a better fit and optimize the toasting surface area.
- 4) Choose the desired browning level (Browning levels 1 to 6, from light to dark) or the "Reheat function" (15 - Fig. B).
- 5) Push the lever down until it clicks to activate the toasting cycle (Fig. C).

- 6) If needed, select the additional functions Defrost (10 - Fig. B) or Bagel (14 - Fig. B) or the two combined.
- 7) The heating element is now activated. The bread will be centered in the breadlift automatically for toasting.
- 8) The toasted bread will pop up automatically when the toast is ready.
- 9) If the toast is not brown enough and requires just a little extra time, use the reheat button to extend the toasting time.

## 3.3 Special functions

### Canceling/stopping the toasting cycle

At any time, it is possible to cancel or stop the toasting cycle by pushing the button (13 - Fig. B).

### Defrost (10 - Fig. B)

This function gently defrosts frozen bread and toasts it to the selected browning level.

To activate it, insert the bread into the slot, select the desired browning level, press the breadlift down until it clicks, then push the defrost button, which will light up. Toasting time will be automatically increased to allow the bread to defrost and brown correctly. When the toast pops up automatically, the light of the defrost button will switch off.

### Bagel (14 - Fig. B)

This special function is ideal for toasting one side only, for bagels, flat bread, English muffins, baguettes, etc. To use the function, simply insert the bread into the slot with the side that you want toasted facing the outside. Select the desired browning level, press the breadlift down until it clicks, then push the Bagel function button, which will light up.



## Use

When the bread is toasted, it will pop up automatically and the Bagel function light will switch off.

### Reheat (15 - Fig. B)

This function allows you to reheat cold toasts or to continue a toasting cycle if the result is not satisfactory. To activate it, insert the bread into the slot, select the Reheat function on the browning control knob and press the breadlift down until it clicks. The central light of the browning control knob will light up. When the toast is ready, it will pop up automatically and the light of the control knob will switch off.



Defrost or Reheat can be selected at the same time as the Bagel function.

## 3.4 Using optional accessories (6,7,8,9 - Fig. A)



Accessories may differ according to the model.

### Sandwich racks (1-Fig. D)

The sandwich racks are ideal for toasting filled sandwiches, or for easier handling of smaller items such as bagels.

- TSSR01 model suitable for TSF01 Toaster (6 - Fig. A)
- TSSR02 model suitable for TSF02 Toaster (7 - Fig. A).



### Tips and suggestions

- Lightly butter the outside of the bread, this prevents burning and helps with the warming of the filling. Do not butter the inside of the sandwich.
- For best results use thinly sliced ingredients and finely grated cheese.
- For best results use cold meat (ham, turkey, etc.) at room temperature, not straight from the refrigerator.
- Do not overfill the sandwich.
- If using a low browning setting, the filling might not heat through correctly. In this case, at the end of the toasting cycle, leave the toast inside the toasting slot for longer, or extend the time by using the reheat button.

### How to use (1 - Fig. D):

- 1) Open the rack with the handles.
- 2) Place the sandwich inside the rack.
- 3) Close the sandwich rack handles together to grip the sandwich in the middle of the racks.
- 4) Insert the sandwich rack into the slot and select a browning level. If a little more browning is required, you can use the reheat button to extend the toasting time.
- 5) Push the breadlift down until it clicks to activate the toasting cycle.
- 6) When the toasting cycle has ended remove the sandwich rack from the toaster.



## Bun Warmer (2 - Fig. D)

The bun warmer is used to warm small bread rolls, flat bread or pastries.

- TSBW01 model suitable for TSF01 Toaster (8 - Fig. A)
- TSBW02 model suitable for TSF02 Toaster (9 - Fig. A).

### How to use (2 - Fig. D):

- 1) Place the bun warmer on top of the toaster, making sure the wire feet on the bottom of the warmer fit into the toaster slots.
- 2) Place small bread rolls, flat bread or pastries on top of the warmer and set the browning level to '1' (no higher).
- 3) Lower the breadlift until it clicks to activate the toasting cycle.

## 4 Cleaning and maintenance

### 4.1 Cleaning the surfaces

To keep the surfaces in good condition, clean regularly after use. Let them cool first.

Never use products that contain abrasives or chlorine-based acids.

Pour the product onto a damp cloth and wipe the surface, then wipe over thoroughly and dry with a soft cloth or a microfiber cloth



#### Tips and suggestions

If grease or oil splatters on the toaster, wipe it off immediately using a clean, damp cotton cloth.

Any other servicing should be performed by an authorized service representative.

### 4.2 Food stains or residues

Do not use metallic sponges or sharp scrapers as they will damage the surfaces.

Use ordinary non-abrasive products with the aid of wooden or plastic utensils if necessary. Wipe over thoroughly and dry with a soft cloth or a microfiber cloth.



## 4.3 Cleaning the crumb tray (Fig. E)

- 1) Push the Crumb Tray (4 - Fig. A) to unlock it, then pull to slide it out and empty it. The Crumb Tray should be emptied after each use.



### Tips and suggestions

The Crumb Tray is hand-washable. Always dry the tray thoroughly before putting it back in the toaster.

- 2) Put the Crumb Tray back in the toaster. Press it in firmly until it clicks into position. Do not use the toaster without the Crumb Tray in the proper position.
- 3) Do not use any toaster cover.

## 4.4 Cleaning the optional sandwich rack and bun warmer

Wash the sandwich rack and bun warmer by hand in warm soapy water. After washing, rinse them and dry them thoroughly with a soft cloth.

## Troubleshooting

If your toaster should fail to operate, check the following:

- Check that the toaster is plugged into a grounded 3-prong electrical outlet. If it is, unplug the toaster.
- Plug in the toaster.
- If the toaster still does not work, check the household fuse or circuit breaker.

If the problem cannot be solved:

- See the Smeg Warranty and Service sections.



The manufacturer reserves the right to make any changes deemed necessary for the improvement of its products without prior notice. The illustrations and descriptions contained in this manual are therefore not binding and are merely indicative.

Le fabricant se réserve le droit d'apporter, sans préavis, toutes les modifications qu'il jugera utiles pour l'amélioration de ses produits. Les illustrations et les descriptions figurant dans ce manuel ne sont pas contraignantes et n'ont qu'une valeur indicative.

El fabricante se reserva el derecho a aportar sin aviso previo todas las modificaciones que considere necesarias para la mejora de sus propios productos. Las ilustraciones y las descripciones contenidas en este manual no comprometen, por tanto, al fabricante y tienen un valor meramente indicativo.