

# BXB609 | PRO Collection



## Insert

Introducing Cyclone's latest addition, the BXB609 insert is a blend of subtlety and strength. With a potent 900 CFM, it excels in high-heat culinary tasks. Its stainless steel baffle filters are dishwasher-safe, and the unit features three-speed controls, plus dual vivid LED lights.

## Green Features



3 Speed Push Button  
Control Panel



Dishwasher Safe  
Baffle Filters



Long-lasting  
LED Light Bulbs



Model	Colour	Ducting	Filters	Size	CFM	Fits Cabinet
BXB60934	Stainless Steel	8"	Baffle	34"	900	36"
BXB60940	Stainless Steel	8"	Baffle	40"	900	42"
BXB60946	Stainless Steel	8"	Baffle	46"	900	48"
BXB60934MB	Matte Black	8"	Baffle	34"	900	36"
BXB60940MB	Matte Black	8"	Baffle	40"	900	42"
BXB60946MB	Matte Black	8"	Baffle	46"	900	48"

Cyclone Range Hoods Inc.

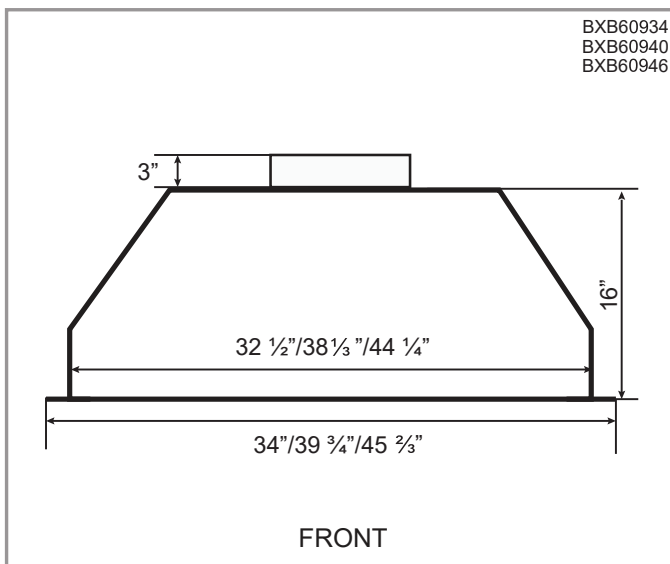
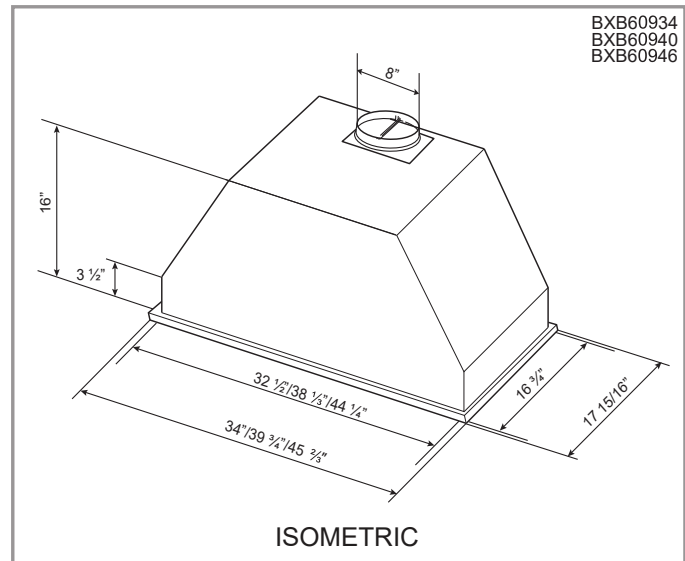
1361 Huntingwood Drive, Unit 16. Toronto, ON. M1S 3J1. Canada.

Toll Free: 1-888-293-5662 Tel: (416) 293-0933

Fax: (416) 293-4793 Website: [www.CycloneRangeHoods.com](http://www.CycloneRangeHoods.com)

## Features

- Insert range hood
- 8" round duct adapter
- Non-stick aluminum fan blades
- 3 speed push button control
- Quick release dishwasher-safe baffle filters
- 3 LED lights (3 x 1.4W, 4000K)
- 3 minutes time-delay OFF feature
- Plug-in connection



## Options

- Widths: 34", 40", 46"
- Finishes: Stainless Steel, Matte Black

## Specifications

- |  |  |   |
|--|--|---|
| <ul style="list-style-type: none"> <li>• Air Flow Volume: 900 CFM</li> <li>• Electrical Connection: 120 V/60 Hz</li> <li>• Power Consumption: TBD</li> </ul> | <ul style="list-style-type: none"> <li>• Current: TBD</li> <li>• Fan Speed: TBD</li> <li>• Fan Type: Centrifugal Blower</li> </ul> | <ul style="list-style-type: none"> <li>• Finishes: Stainless Steel, Matte Black</li> <li>• Ducting: 8" Round</li> <li>• Noise Level: Min. TBD<br/>Max. TBD</li> </ul> |
|--|--|---|

